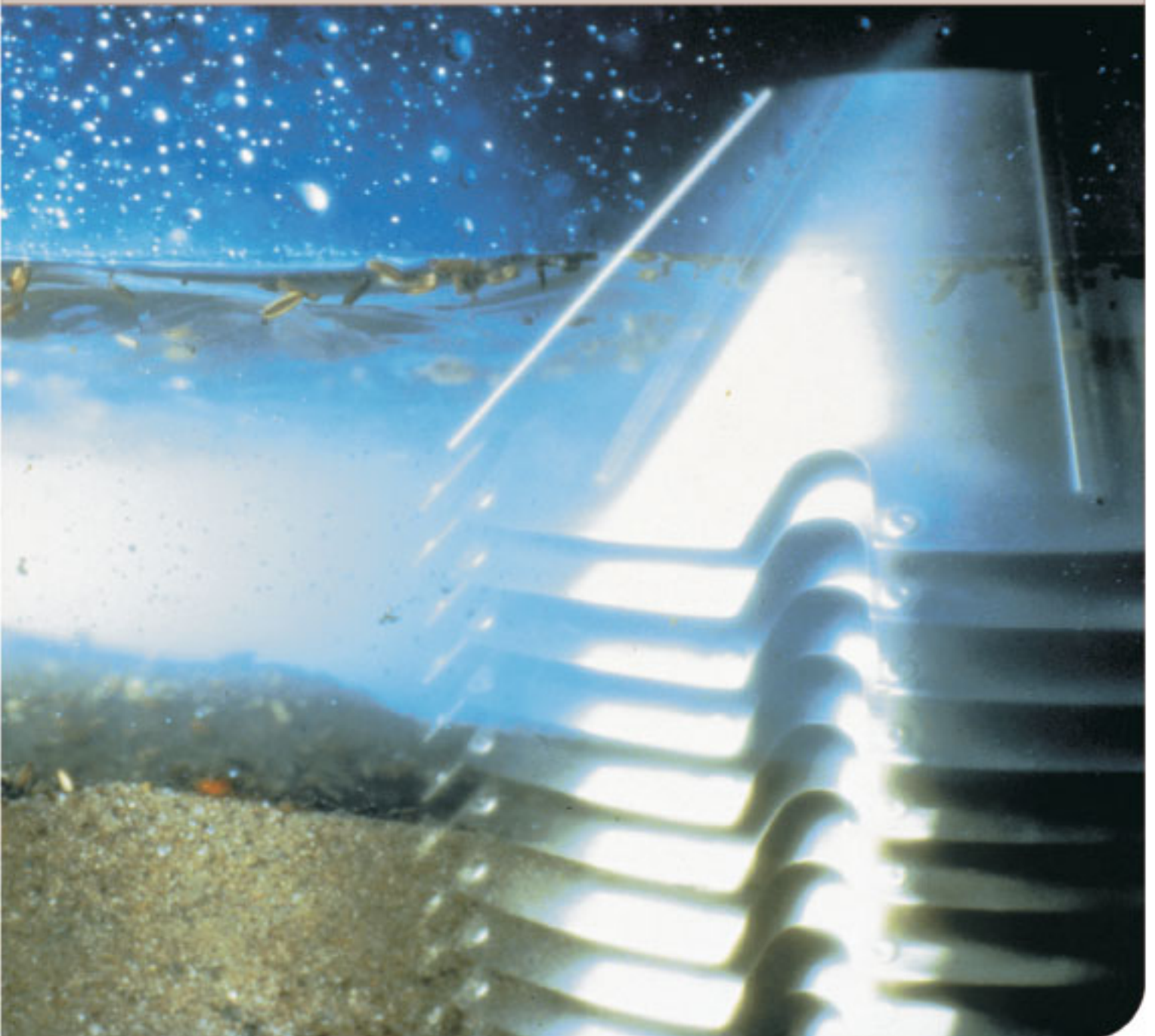


Spare parts catalogue, Reservdelskatalog, Ersatzteilkatalog, Catalogue de pièces de rechange, Varaosaluettelo, Catalogue de piezas de recambio, Каталог запасных частей, Catalogo parti di ricambio, Reservdelskatalog, Catalogo de peças sobressalentes, Καταλογος ανταλλακτικων, Reserveonderdelen-catalogus

P 100



Published By:

Alfa Laval Tumba AB
SE-147 80 Tumba, Sweden

Telephone: +46 8 530 650 00

Telefax: +46 8 530 310 40

© Alfa Laval Tumba AB May 2007

This publication or any part there of may not be reproduced or transmitted by any process or means without prior written permission of Alfa Laval Tumba AB.

Contents

1	Read this first	5
2	Machine bottom part	12
	2.1 Oil filling device	14
	2.2 Brake	16
3	Separator bowl	18
4	Inlet and outlet device	20
5	Parts for mounting of motor	22
	5.1 Friction coupling, 50/60 Hz	24
	5.2 Belt tightener	26
6	Parts for mounting of motor/ 60 Hz NEMA standard	28
	6.1 Friction coupling, 60 Hz NEMA standard	30
7	Set of plates	32
8	Gravity disc for clarification	34
9	Vibration monitoring unit	36
10	Set of tools	38
11	Interlocking switch	40
12	Intermediate service kit	42
13	Major service kit	44
14	3-years service kit	46
15	Tool box	48
16	Cross reference list	51

1 Read this first



- en** Check the machine unit number on the name-plate before using this catalogue
- sv** Kontrollera maskinenhetens nummer på maskinskylden innan du använder katalogen
- de** Das Typenschild - ein Hinweis zur korrekten Ersatzteilnummer
- fr** La plaque de la machine, un guide pour trouver le numéro de pièce de rechange correct
- es** La placa-marca de la máquina - guía del número correcto del repuesto
- ru** Firmenная табличка машины – указатель правильного номера запасной части
- it** La targhetta della macchina - guida al corretto numero dei ricambi
- pt** A placa do fabricante da máquina - um guia do número correto das partes sobressalentes
- fi** Konekilpi - opastin oikeaan varaosanimeroon
- el** Η πινακίδα της μηχανής είναι ο οδηγός του σωστού ανταλλακτικού
- nl** Het gegevensplaatje - een wegwijzer naar het juiste onderdeelnummer
- da** Typeskiltet - en guide til det rette reservedelsnummer

en

Safeguard your commitment to quality by always using genuine Alfa Laval spare parts.

Remember, Alfa Laval cannot accept responsibility for the failure of a separator equipped with non-original spare parts. We guarantee the quality and reliability of our products.

sv

Följ ditt kvalitetstänkande genom att endast använda Alfa Laval originalreservdelar.

Kom ihåg att Alfa Laval inte tar något ansvar för fel på en separator, som innehåller icke-originaldelar. Vi garanterar kvaliteten och driftsäkerheten endast hos våra egna produkter.

de

Aus Rücksicht auf Ihr Bestreben um beste Qualität sollten Sie nur Alfa Laval Originalersatzteile benutzen.

Vergessen Sie nicht, Alfa Laval kann keine Verantwortung für das Versagen eines Separators übernehmen, der nicht mit Originalersatzteilen versehen ist. Wir garantieren Qualität und Zuverlässigkeit unserer Produkte.

fr

Préservez la qualité de vos équipements en n'employant que des pièces de rechange Alfa Laval.

N'oubliez pas q'Alfa Laval décline toute responsabilité en cas de panne d'un séparateur non équipé de pièces de rechange d'origine. Nous garantissons la qualité et la fiabilité de nos produits.

es

Mantenga su compromiso con la calidad, al usar siempre piezas de repuesto Alfa Laval auténticas.

Recuerde que Alfa Laval no acepta responsabilidad por el fallo de una separadora equipada con piezas de repuesto no originales. Garantizamos la calidad y fiabilidad de nuestros productos.



ru

Гарантируйте надежность качества всегда используя подлинные запасные части фирмы Alfa Laval.

Запомните, что Alfa Laval не несет ответственности за повреждение сепаратора, оснащенного неподлинными запчастями. Мы гарантируем качество и надежность наших изделий.

it

Salvaguardate la vostra garanzia di qualità facendo sempre uso di parti di ricambio Alfa Laval autentiche.

Tenete presente che la Alfa Laval non può accettare responsabilità per avaria ad un separatore attrezzato con parti di ricambio non originali. Noi garantiamo la qualità l'affidabilità dei nostri prodotti.

pt

Proteja o seu cometimento a qualidade usando sempre peças sobressalentes genuinas Alfa Laval.

Não esqueça que Alfa Laval não aceita responsabilidade por falha de uma separadora equipada com peças sobressalentes não genuinas. Nós garantimos a qualidade e a confiança dos nossos produtos.

fi

Varmistakaa vastuunne laadusta käyttämällä aina alkuperäisiä Alfa Laval varaosia.

Muistakaa, Alfa Laval ei voi hyväksyä vastuuta ei-alkuperäisillä varaosilla varustetun separaattorin vaurioista. Me takaamme tuotteidemme laadun ja käyttövarmuuden.

el

Εξασφαλίστε υψηλή ποιότητα χρησιμοποιώντας μόνο γνήσια ανταλλακτικά της Alfa Laval.

Έχετε υπόψην ότι η Alfa Laval δεν αναλαμβάνει καμμία ευθύνη για βλάβες βουτυρομηχανής, στην οποία έχουν εφαρμοστεί μη γνήσια ανταλλακτικά. Εγγυόμαστε ποιότητα και καλή λειτουργία μόνο για τα δικά μας προϊόντα.



nl

Streef naar een zo hoog mogelijke kwaliteit en gebruik uitsluitend originele Alfa Laval reserveonderdelen. Streef naar een zo hoog mogelijke kwaliteit en gebruik uitsluitend originele Alfa Laval reserveonderdelen.

Vergeet niet dat Alfa Laval niet verantwoordelijk is voor een defecte separator die niet-originele onderdelen bevat. Wij garanderen de kwaliteit en betrouwbaarheid van onze eigen producten.

da

Hold Dem til den kvalitet, De har valgt at satse på, ved altid at anvende ægte Alfa Laval reservedele.

Husk, at Alfa Laval ikke kan påtage sig noget ansvar for fejl på en separator, som indeholder uoriginale dele. Vi kan kun garantere kvalitet og driftsikkerhed på vore egne produkter.



S0023621

Translation list

Översättningslista
 Übersetzungsliste
 Liste de traduction
 Lista de traducciones

en	sv	de	fr	es
Part no.	Reservdelsnummer	Teil-Nr.	Numéro de pièce	Pieza No.
Qty	Antal	Anzahl	Quantité	Cantidad
Description	Benämning	Bezeichnung	Dénomination	Descripción
Notes	Anmärkning	Anmerkungen	Remarques	Notas
Machine type	Maskintyp	Maschinentyp	Type de machine	Tipo de máquina
Product no.	Produktnr	Produktnummer	Numéro de produit	Número de producto
Machine unit description	Maskinblocksbenämning	Bezeichnung des Maschinenblocks	Dénomination de partie de machine	Descripción de sección de la máquina
Machine unit no.	Maskinblocksnr	Maschinenblock Nr.	Partie de machine n°	No. de sección de máquina
Subassembly description	Undergruppsbenämning	Bezeichnung der Untergruppe	Dénomination de sous-ensemble	Descripción de subconjunto
Subassembly no.	Undergruppsnr	Untergruppe Nr.	N° de sous-ensemble	Número de subconjunto
See page	Se sidan	Siehe Seite	Voir page	Véase la página
Fig. ref.	Figurhänvisning	Bildhinweise	Réf. de fig.	Referencia de figura
Product name	Produktnamn	Produktname	Nom du produit	Nombre del producto
Exchange necessitates rebalancing of bowl	Utbyte nödvändiggör ombalansering av kulan	Austasch erfordert Wiederauswuchtung der Trommel	Le remplacement nécessite le rééquilibrage du bol	El racmbio requiere el reequilibrado del rotor
See separate spare parts list	Se separat reservdelslista	Siehe separate Ersatzteilliste	Voir liste séparée des pièces de rechange	Véase la lista de piezas separada
Not delivered as spare part	Levereras ej som reservdel	Nicht als Ersatzteil geliefert	Non livré comme pièce de rechange	No se entrega como pieza de recambio

Translation list

Словарь перевода
 Lista traduzioni
 Lista para tradução
 Käännösluettelo

en	ru	it	pt	fi
Part no.	Деталь №	Nr.parte.	Numero de peca	Varaosanumero
Qty	Кол-во	Quantita	Quantidade	Lukumäärä
Description	Наименование	Descrizione	Descricao	Nimitys
Notes	Примечания	Note	Notas	Huomautuksia
Machine type	Машина типа	Tipo macchina	Tipo de maquina	Konetyyppi
Product no.	Артикул №	Nr.prodotto	No. do produto	Tuotteen no
Machine unit description	Наименование блока машины	Nr. unita macchina	Descricao da unidade da maquina	Koneenosan nimitys
Machine unit no.	Блок машины №	Descrizione sottogruppo	Numero de unidade da maquina	Koneenosan no
Subassembly description	Наименование группы	Descrizione unita macchina	Descricao do subconjunto	Alaryhmän nimitys
Subassembly no.	Группа №	Nr. sottogruppo.	Número de subconjunto	Alaryhmän no
See page	См. страницу	Vedi pagina	Véase la página	Ks sivu
Fig. ref.	Ссылка на эскиз	Rif. fig.	Referencia de figura	Kuvaviite
Product name	Наименование артикула	Nome prodotto	Nombre del producto	Tuotteen nimi
Exchange necessitates rebalancing of bowl	Замена требует балансировки барабана	La sostituzione comporta la iequilibratura del tamburo	El racmbio requiere el reequilibrado del rotor	Vaihdettaessa kuula tasapainoitettava uudelleen
See separate spare parts list	См. отдельный перечень запасных частей	Vedi lista separata delle parti di ricambio	Véase la lista de piezas separada	Katso erillistä varaosaluettelo
Not delivered as spare part	Не поставлена вместе с запасными частями	Non fornito come parte di ricambio	No se entrega como pieza de recambio	Ei toimiteta varaosana

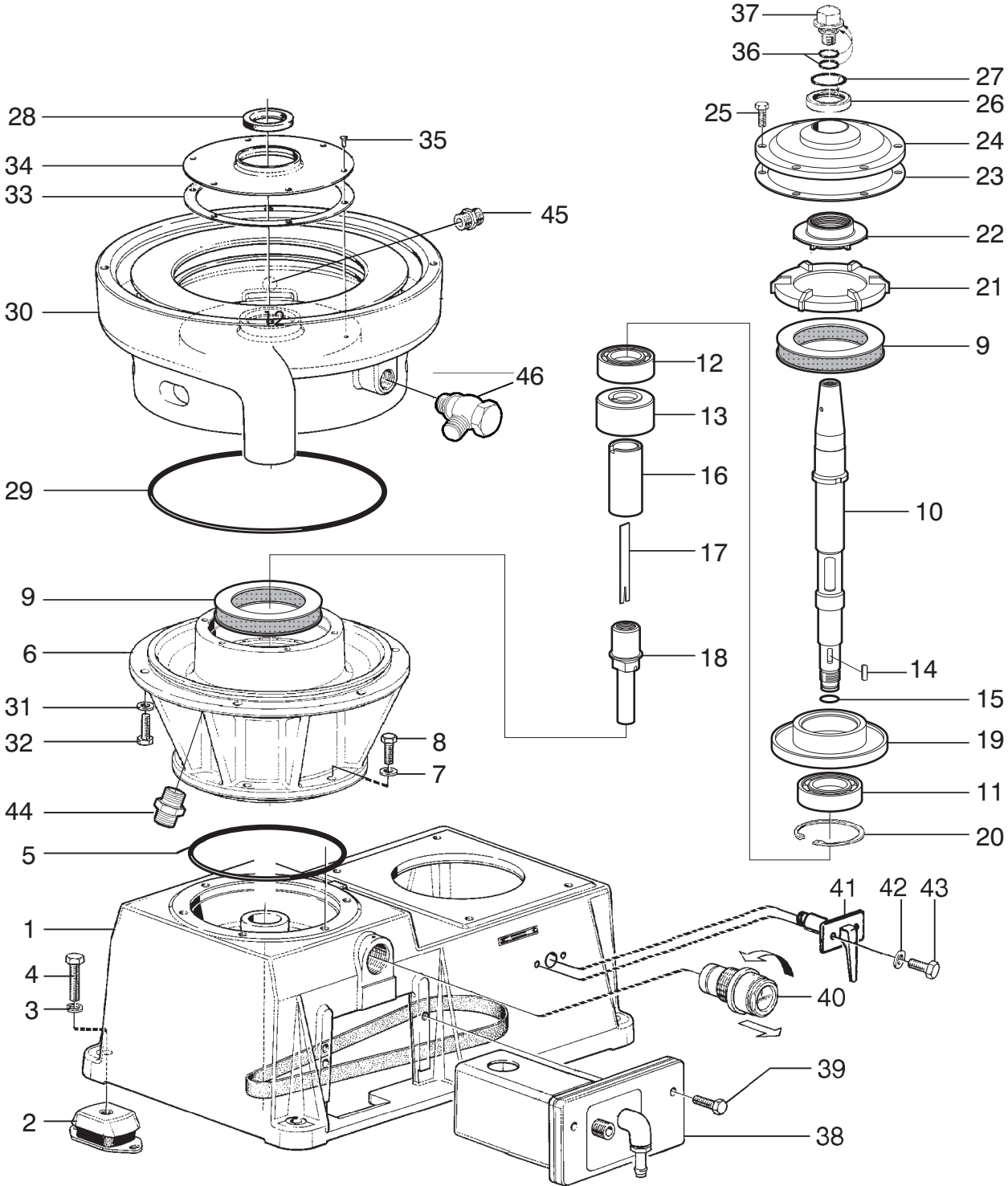
Translation list

ΓΛΩΣΣΑΡΙ
Vertaallijst
Oversættelsesliste

en	el	nl	da
Part no.	Λριθμός ανταλλακτικού	Onderdeelnr.	Reservedelsnummer
Qty	Σύνολο	Hoeveelheid	Antal
Description	Περιγραφή	Beschrijving	Betegnelse
Notes	Παρατηρήσεις	Opmerkingen	Bemaerkninger
Machine type	Τύπος μηχανήματος	Machinetype	Maskintype
Product no.	Αριθμός προϊόντος	Produktnr.	Produktnr.
Machine unit description	Περιγραφή συγκροτήματος μηχανής	Machineblokbenaming	Maskinbetegnelse
Machine unit no.	Αριθμός συγκροτήματος μηχανής	Machineblokbenaming	Maskinnr.
Subassembly description	Περιγραφή υποσυγκροτήματος	Subgroepbenaming	Undergruppsbetegnelse
Subassembly no.	Αριθμός υποσυγκροτήματος	Subgroepnr.	Undergruppenr.
See page	Βλέπε σελίδα	Zie blz.	Se side
Fig. ref.	Παραπομπή σε εικόνα	Afb. ref.	Figurhenviisning
Product name	Ονομασία προϊόντος	Produktnaam	Produktnavn
Exchange necessitates rebalancing of bowl	Ανταλλαγή απαιτεί επαναρρύθμιση ισορροπίας του τύμπανου	Vervanging vereist herbalanceren van de kogel	Udskriftning kraever ny afbalcering af kuglen
See separate spare parts list	Βλέπε ειδική λίστα ανταλλακτικών	Vervanging vereist van de kogel	Se spaat reservedelsliste
Not delivered as spare part	Δεν παραδίδεται ως ανταλλακτικό	Niet geleverd als reserveonderdeel	Levereres ikke som reservedel

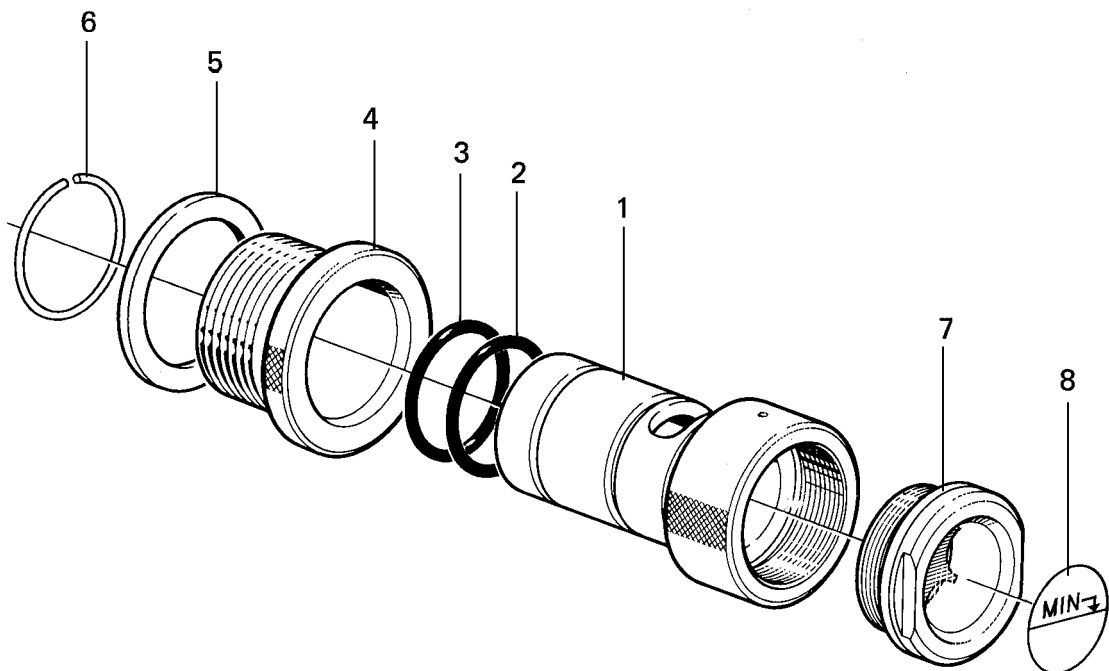
2 Machine bottom part

Ref	Part No	Description	Machine unit number or Subassembly description 565390-						Notes
			-01	Quantity					
1	548010 03	Frame bottom part	1						
2	545892 01	Frame foot	4						
3	223107 35	Spring washer	4						
4	221045 29	Screw	4						
5	223412 38	O-ring	1						
6	548012 02	Frame intermediate part	1						
7	548152 03	Washer	6						
8	221040 05	Screw	6						
9	543619 80	Rubber buffer	2						
10	560757 01	Bowl spindle	1						
11	548051 05	Ball bearing	1						
12	37535	Ball bearing	1						
13	545601 80	Oil pump	1						
14	223610 07	Flat key	1						
15	223403 16	O-ring	1						
16	560763 01	Belt pulley	1						
17	545597 01	Wing	1						
18	560767 80	Pump sleeve	1						
19	543609 02	Ball bearing holder	1						
20	223642 36	Snap ring	1						
21	545620 02	Buffer holder	1						
22	544203 02	Fan	1						
23	543612 01	Gasket	1						
24	543613 02	Top bearing cover	1						
25	221035 02	Screw	6						
26	544337 02	Deflector ring	1						
27	223406 29	O-ring	1						
28	73547	Seal ring	1						
29	223412 49	O-ring	1						
30	566279 01	Frame top part	1						
31	548152 03	Washer	6						
32	221040 05	Screw	6						
33	543662 02	Gasket	1						
34	543645 01	Screen	1						
35	260244 01	Screw	6						
36	223404 82	O-ring	2						
37	546057 02	Cap nut	1						
38	560985 80	Water container	1						
39	221040 41	Screw	2						
40	545831 80	Oil filling device	1						See page 14
41	548046 80	Brake	1						See page 16
42	548152 03	Washer	2						
43	221040 05	Screw	2						
44	526337 06	Reducing hexagon nipple	1						
45	543953 05	Nipple	1						
46	565393 01	Hose nipple	1						



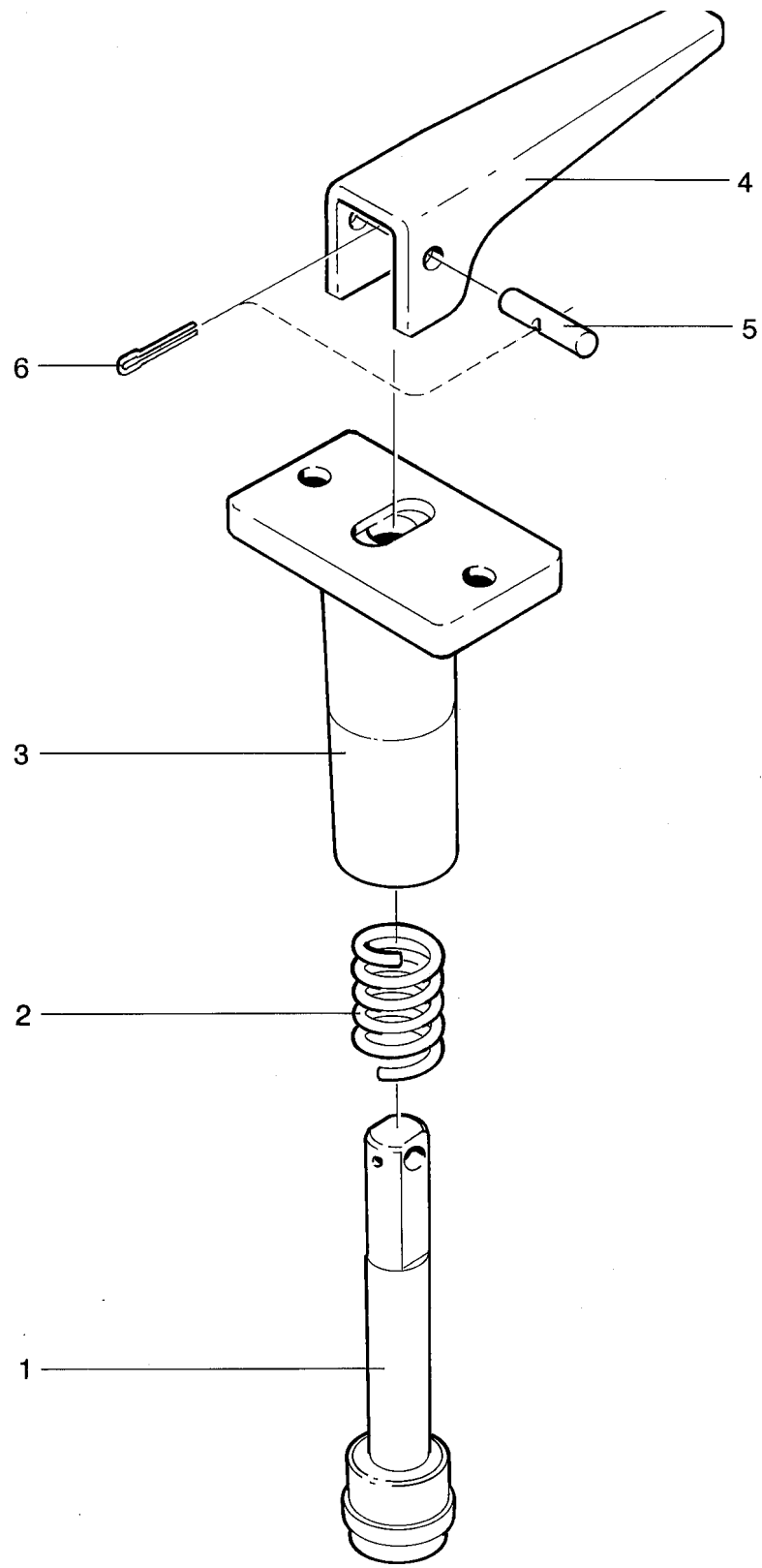
2.1 Oil filling device

Ref	Part No	Description	Machine unit number or Subassembly description							Notes
			545831-							
			-80	Quantity						
1	545817 01	Sleeve	1							
2	223406 27	O-ring	1							
3	223406 27	O-ring	1							
4	544024 01	Nipple	1							
5	542392 02	Seal ring	1							
6	545818 01	Round wire retaining ring	1							
7	545819 01	Oil glass	1							
8	545832 01	Plate	1							



2.2 Brake

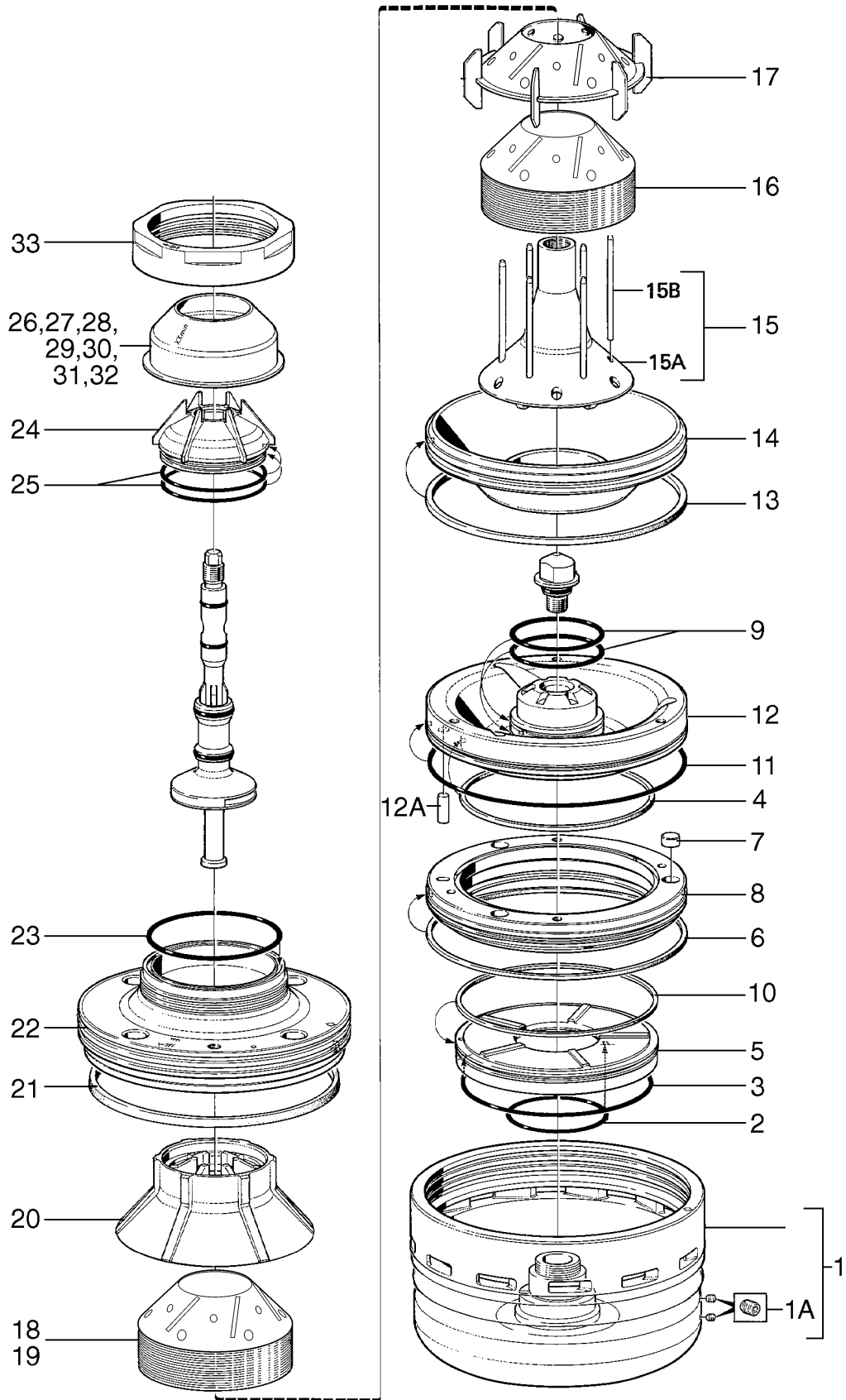
Ref	Part No	Description	Machine unit number or Subassembly description						Notes
			548046-						
			-80	Quantity					
1	548047 80	Spindle	1						
2	32652	Spring	1						
3	548049 02	Adapter	1						
4	553159 02	Handle	1						
5	222137 10	Cylindrical pin	1						
6	222210 21	Split pin	1						



3 Separator bowl

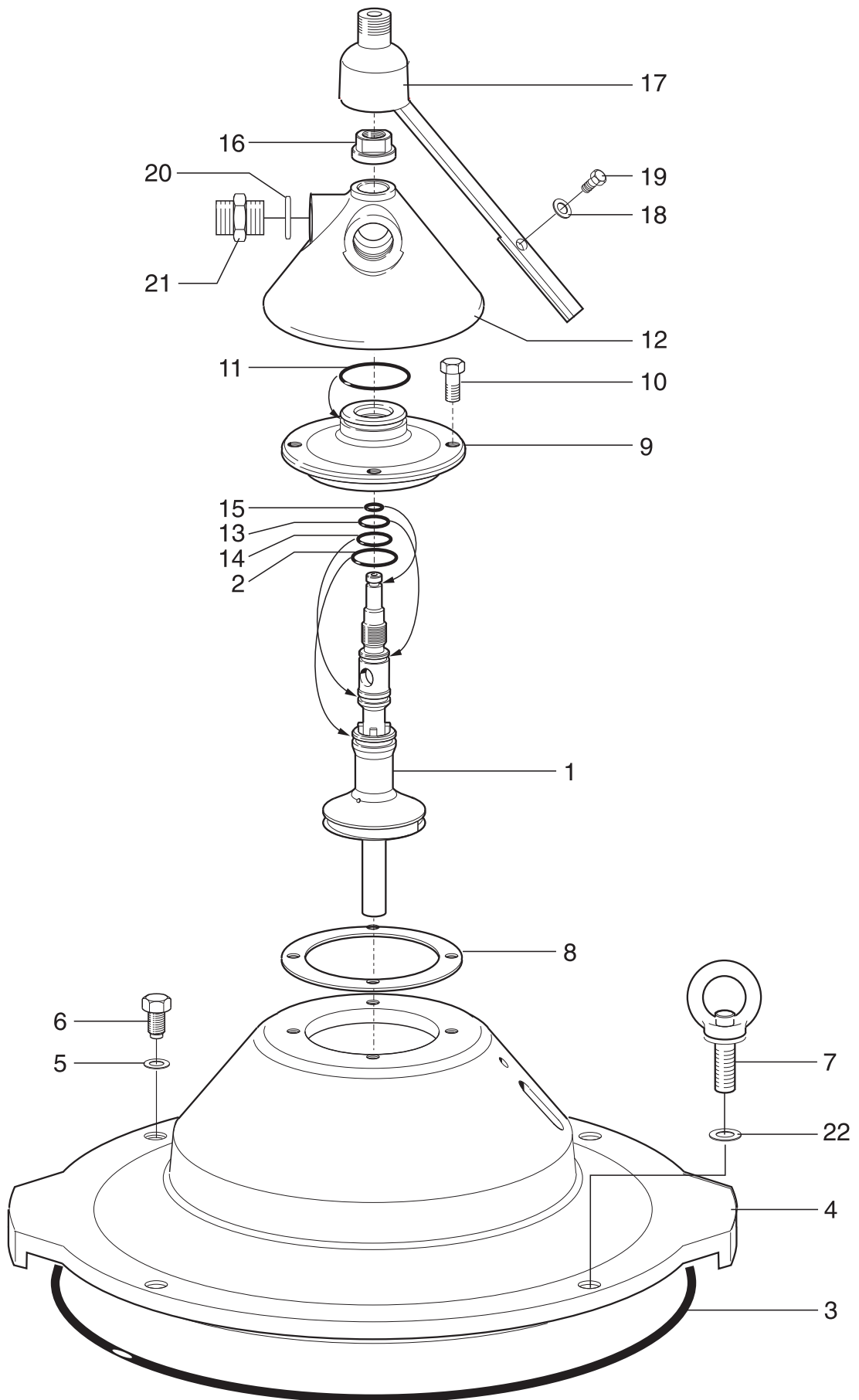
With caulks 0,5 mm

Ref	Part No	Description	Machine unit number or Subassembly description						Notes
			561123-						
			-02	Quantity					
1	561072 80	Bowl body complete	1						
1 A	545869 01	Nozzle Ø 1,2 mm	2						
2	223406 35	O-ring	1						
3	68011	O-ring	1						
4	545800 01	Rectangular ring	1						
5	545655 02	Distributing ring lower	1						
6	545800 03	Rectangular ring	1						
7	545871 01	Valve plug	3						
8	545654 02	Operating slide	1						
9	260104 91	O-ring	2						
10	545800 04	Rectangular ring	1						
11	73632	O-ring	1						
12	561104 80	Distributing ring upper	1						
12	561104 82	Distributing ring upper	1						Alternative
12 A	222111 95	Cylindrical pin	1						
13	543446 02	Rectangular ring	1						
14	543567 01	Sliding bowl bottom	1						
15	545657 80	Distributor	1						
15 A	545684 01	Distributor	1						
15 B	543590 06	Parallel pin	6						
16	575192 80	Bowl disc	32						
17	575364 80	Wing insert	1						
18	575192 80	Bowl disc	31						
19	575192 80	Bowl disc	1						
20	544925 01	Top disc	1						
21	541691 01	Seal ring	1						
22	543566 01	Bowl hood	1						
23	223406 22	O-ring	1						
24	545797 02	Paring chamber cover	1						
25	223406 14	O-ring	2						
26	560916 01	Gravity disc Ø 50,5 mm	1						
27	560916 02	Gravity disc Ø 52 mm	1						
28	560916 03	Gravity disc Ø 54 mm	1						
29	560916 04	Gravity disc Ø 57 mm	1						
30	560916 05	Gravity disc Ø 61 mm	1						
31	560916 06	Gravity disc Ø 66 mm	1						
32	560916 07	Gravity disc Ø 73 mm	1						
33	561000 02	Lock ring	1						



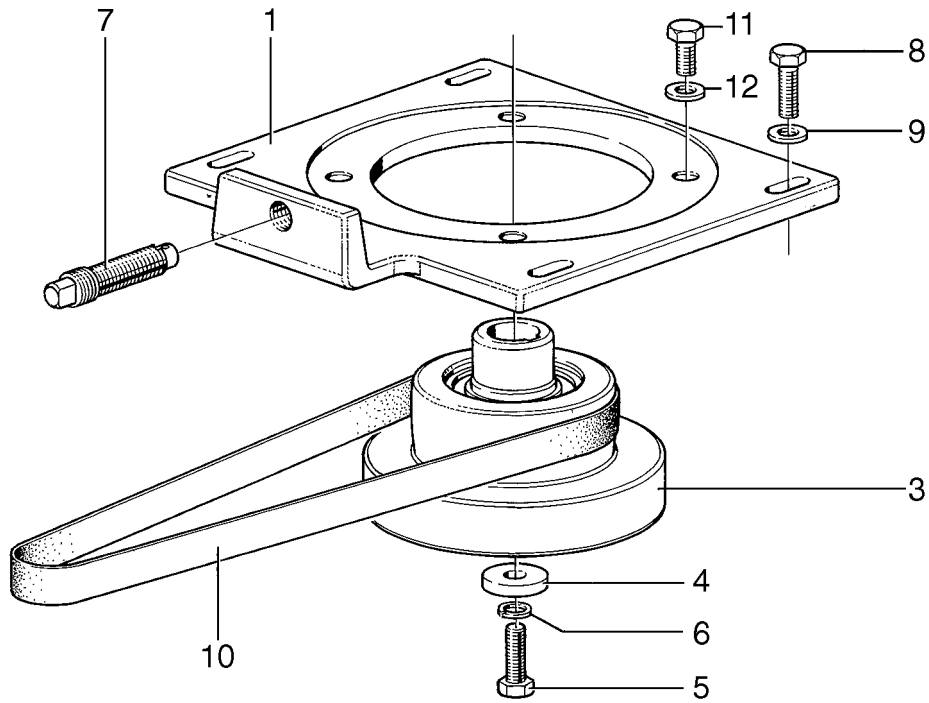
4 Inlet and outlet device

Ref	Part No	Description	Machine unit number or Subassembly description							Notes
			-01	561312-						
			Quantity							
1	561272 80	Inlet pipe with paring disc	1							
2	74067	O-ring	1							
3	223412 54	O-ring	1							
4	561315 02	Frame hood	1							
5	548152 03	Washer	2							
6	221040 05	Screw	2							
7	546157 80	Lifting eye	2							
8	561307 01	Height adjusting ring	3							
9	561013 02	Support ring	1							
10	221035 06	Screw	4							
11	223406 29	O-ring	1							
12	561297 02	Connecting housing	1							
13	223404 20	O-ring	1							
14	223404 22	O-ring	1							
15	223404 10	O-ring	1							
16	559266 01	Nut	1							
17	561271 80	Safety device	1							
18	70560	Washer	1							
19	221035 06	Screw	1							
20	552766 08	Washer	2							
21	562596 01	Nipple	2							
22	548152 04	Washer	2							



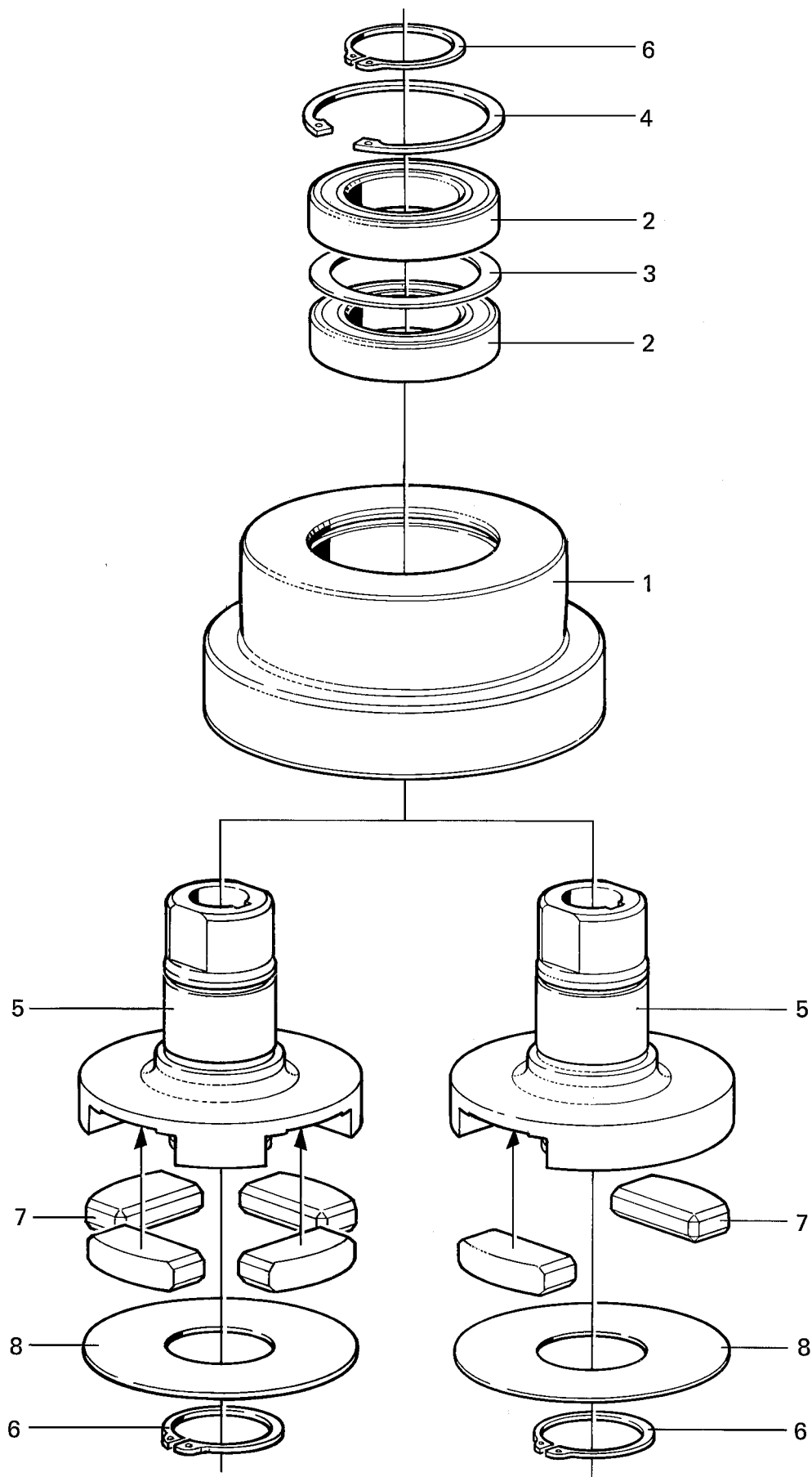
5 Parts for mountig of motor

Ref	Part No	Description	Machine unit number or Subassembly description		Quantity						Notes	
			-05	-06								
		50 Hz	↓									
		60 Hz		↓								
1	545782 02	Motor adapter	1	1								
3	544575 80	Friction coupling	1									See page 24
3	544575 81	Friction coupling		1								See page 24
4	543669 01	Washer	1	1								
5	221035 12	Screw	1	1								
6	70915	Spring washer	1	1								
7	545856 80	Belt tightener	1	1								See page 26
8	221040 05	Screw	4	4								
9	548152 03	Washer	4	4								
10	260169 22	Flat belt	1									
10	260169 23	Flat belt		1								
11	221040 52	Screw	4	4								
12	548152 03	Washer	4	4								



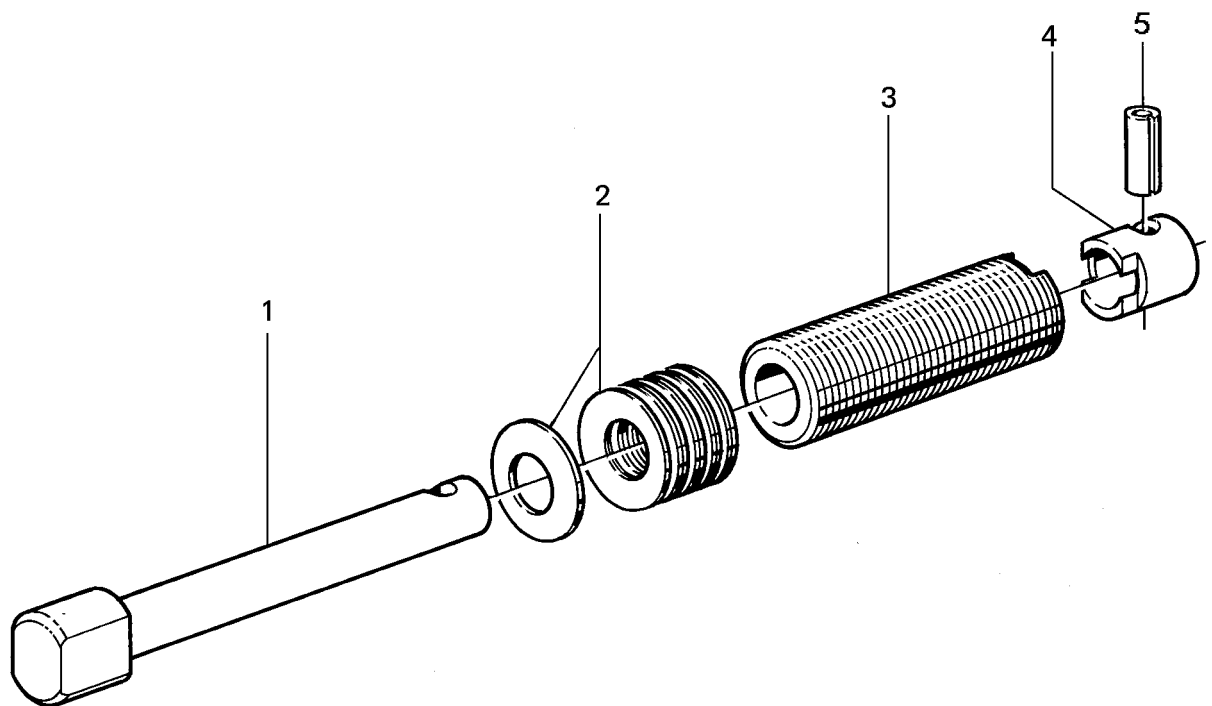
5.1 Friction coupling, 50/60 Hz

Ref	Part No	Description	Machine unit number or Subassembly description		Quantity						Notes	
			-80	-81								
		50 Hz	↓									
		60 Hz		↓								
1	543858 02	Belt pulley		1								
1	543858 04	Belt pulley	1									
2	233211 66	Ball bearing	2	2								
3	542986 04	Washer	1	1								
4	223642 34	Snap ring	1	1								
5	544058 02	Coupling nave		1								
5	546915 02	Coupling nave	1									
6	223641 17	Snap ring	2	2								
7	544060 01	Friction element	4	2								
8	543857 01	Cover	1	1								



5.2 Belt tightener

Ref	Part No	Description	Machine unit number or Subassembly description 545856-							Notes
			-80	-81	Quantity					
		50/60 Hz 60 Hz NEMA standard	↓							
1	545848 01	Shaft	1							
1	545848 02	Shaft		1						
2	226314 11	Spring	10	10						
3	545853 01	Sleeve	1							
3	545853 02	Sleeve		1						
4	546562 01	Conveyor	1	1						
5	222119 51	Tubular spring pin	1	1						

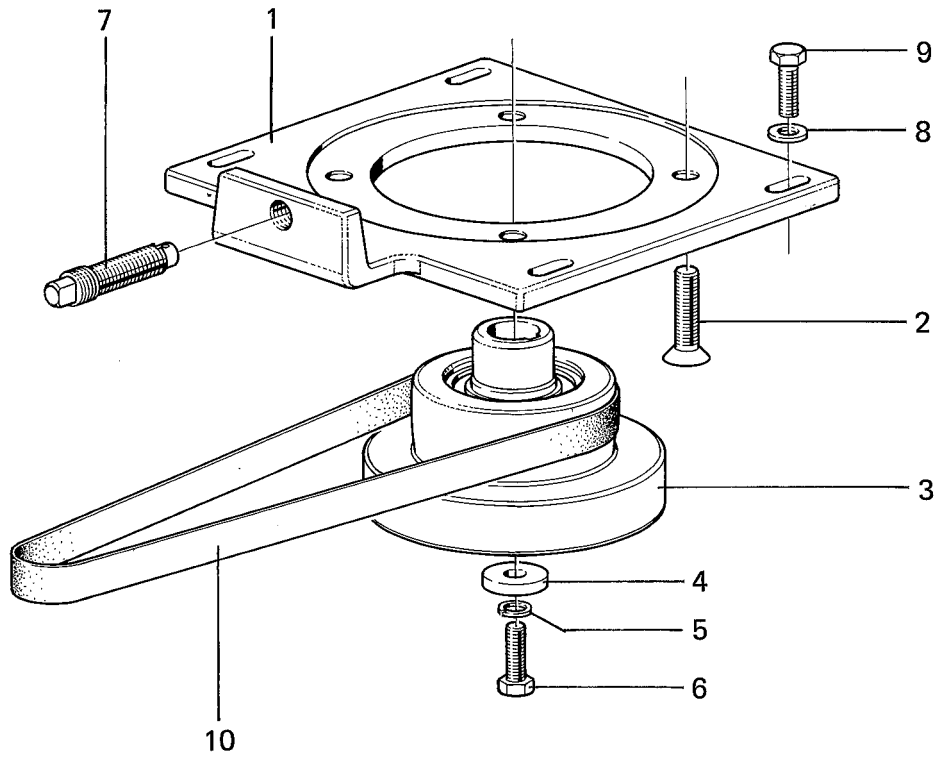


6 Parts for mounting of motor/ 60 Hz NEMA standard

(Type 182TC "C-flange")

Ref	Part No	Description	Machine unit number or Subassembly description						Notes	
			547255-							
			-02	Quantity						
1	547251 02	Motor adapter	1							
2	547260 01	Screw	4							
3	544575 84	Friction coupling	1							See page 30
4	543669 01	Washer	1							
5	70915	Spring washer	1							
6	221035 08	Screw	1							
7	545856 81	Belt tightener	1							See page 26
8	41456	Washer	4							
9	221040 05	Screw	4							
10	260169 23	Flat belt	1							

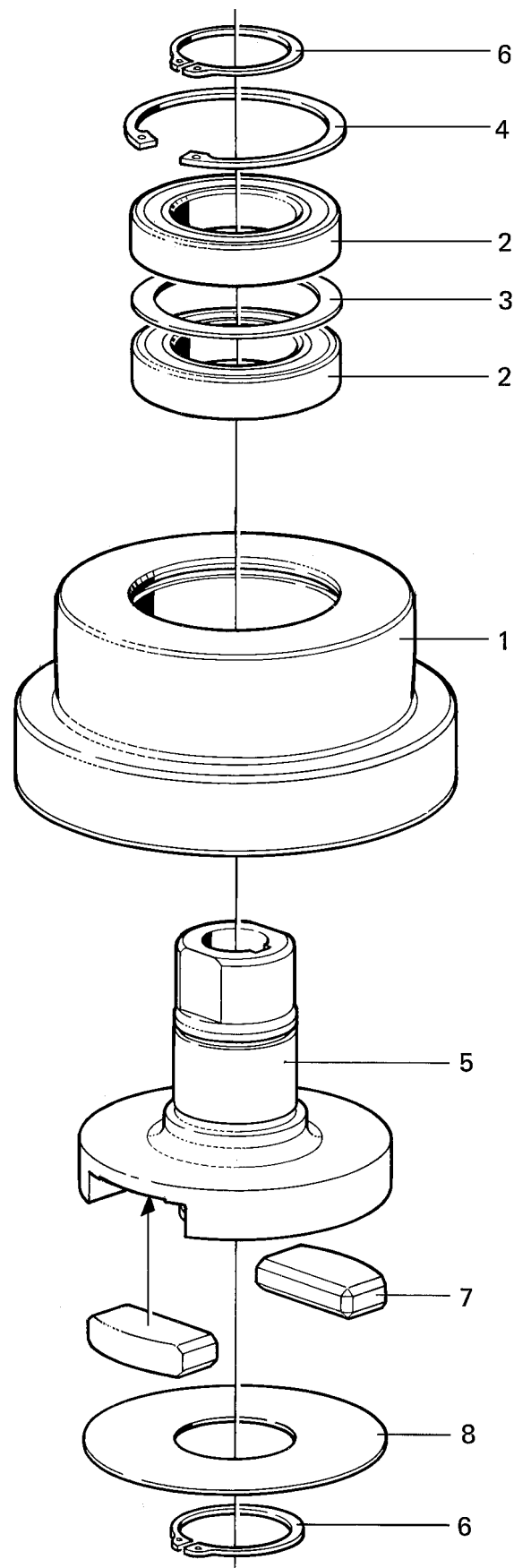
6 Parts for mounting of motor/ 60 Hz NEMA standard



6.1 Friction coupling, 60 Hz NEMA standard


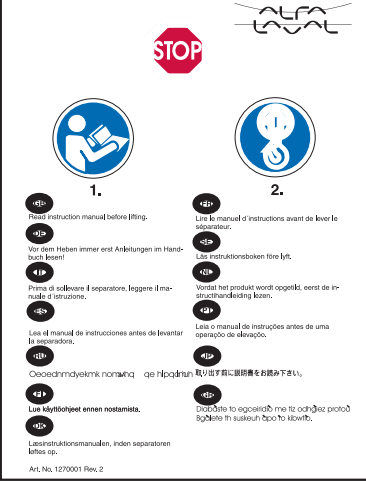

Ref	Part No	Description	Machine unit number or Subassembly description							Notes	
			-84	544575-							
			Quantity								
1	543858 02	Belt pulley	1								
2	233211 66	Ball bearing	2								
3	542986 04	Washer	1								
4	223642 34	Snap ring	1								
5	544058 04	Coupling hub	1								
6	223641 17	Snap ring	2								
7	544060 01	Friction element	2								
8	543857 01	Cover	1								

6.1 Friction coupling, 60 Hz NEMA standard6 Parts for mounting of motor/ 60 Hz NEMA



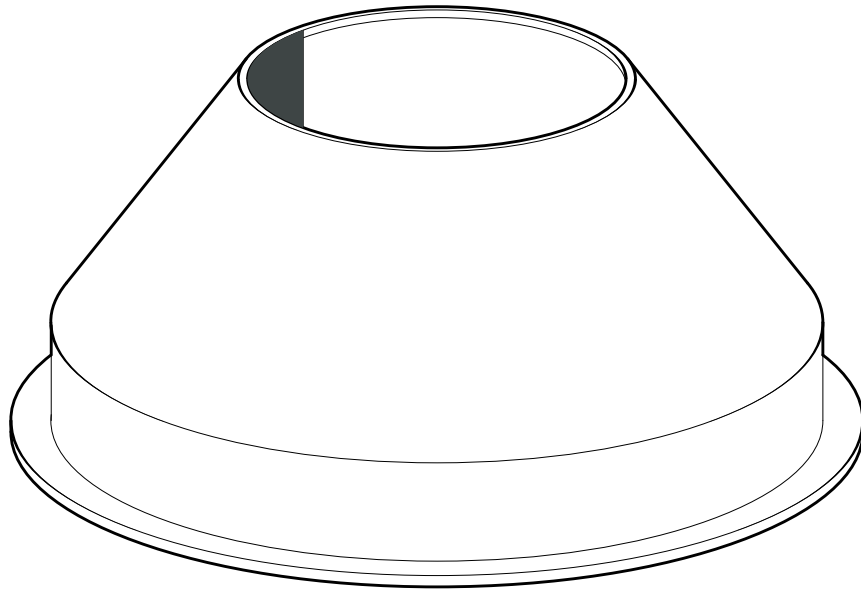
7 Set of plates

Ref	Part No	Description	Machine unit number or Subassembly description							Notes
			549572-							
			-44	Quantity						
3	1270320	Set of safety labels	1							
3A	1270020 01	Safety label sv	1							
3B	1270020 02	Safety label en	1							
3C	1270020 03	Safety label de	1							
3D	1270020 04	Safety label fr	1							
3E	1270020 05	Safety label es	1							
3F	1270020 06	Safety label ru	1							
3G	1270020 07	Safety label it	1							
3H	1270020 08	Safety label pt	1							
3I	1270020 09	Safety label pl	1							
3J	1270020 10	Safety label el	1							
3K	1270020 11	Safety label fi	1							
3L	1270020 12	Safety label zh	1							
3M	1270020 13	Safety label da	1							
3N	1270020 14	Safety label ar	1							
3O	1270020 15	Safety label nl	1							
3P	1270020 16	Safety label cs	1							
3Q	1270020 17	Safety label ja	1							
3R	1270020 18	Safety label ko	1							
3S	1270020 19	Safety label no	1							
6	553171 01	Label 50 Hz	1							
6	553272 01	Label 60 Hz	1							
7	1270001	Lifting instruction	1							
8	554214 02	Cable tie	1							

1	2	<p>3,3A-S</p>  <p>Read the instruction manuals before installation, operation and maintenance. Consider inspection intervals. Failure to strictly follow instructions can lead to fatal injury.</p> <p>If excessive vibration occurs, stop separator and keep bowl filled with liquid during rundown. Out of balance vibration will become worse if bowl is not full.</p> <p>Separator must stop rotating before any demanding work is started.</p> <p>1270018-02 Rev. 3</p>
4	5	<p>6</p> <div style="border: 1px solid black; padding: 5px; display: inline-block;">50 Hz</div> <div style="border: 1px solid black; padding: 5px; display: inline-block; margin-left: 20px;">60 Hz</div>
<p>7</p>  <p>1. Read instruction manual before lifting.</p> <p>2. Lire le manuel d'instructions avant de lever le séparateur.</p> <p>1. Vor dem Heben immer erst Anleitungen im Handbuch lesen!</p> <p>2. Las instruksjonsboken före lyft.</p> <p>1. Prima di sollevare il separatore, leggere il manuale di istruzioni.</p> <p>2. Vorstel het produkt wordt opgetild, eerst de instructiehandleiding lezen.</p> <p>1. Lea el manual de instrucciones antes de levantar la separadora.</p> <p>2. Lea o manual de instruções antes de uma operação de elevação.</p> <p>1. Če pred dvigom lovilnika, preberite navodila za uporabo.</p> <p>2. Пре підняття відокремлювача прочитайте інструкцію.</p> <p>1. Lue käyttöohjeet ennen nostamista.</p> <p>2. Dobro čtejte saopćenje pre nego što podignete odvajanje.</p> <p>Las instruksjonsmanualen, inden separatoren løftes op.</p> <p>Art. No. 1270001 Rev. 2</p>	<p>8</p> 	

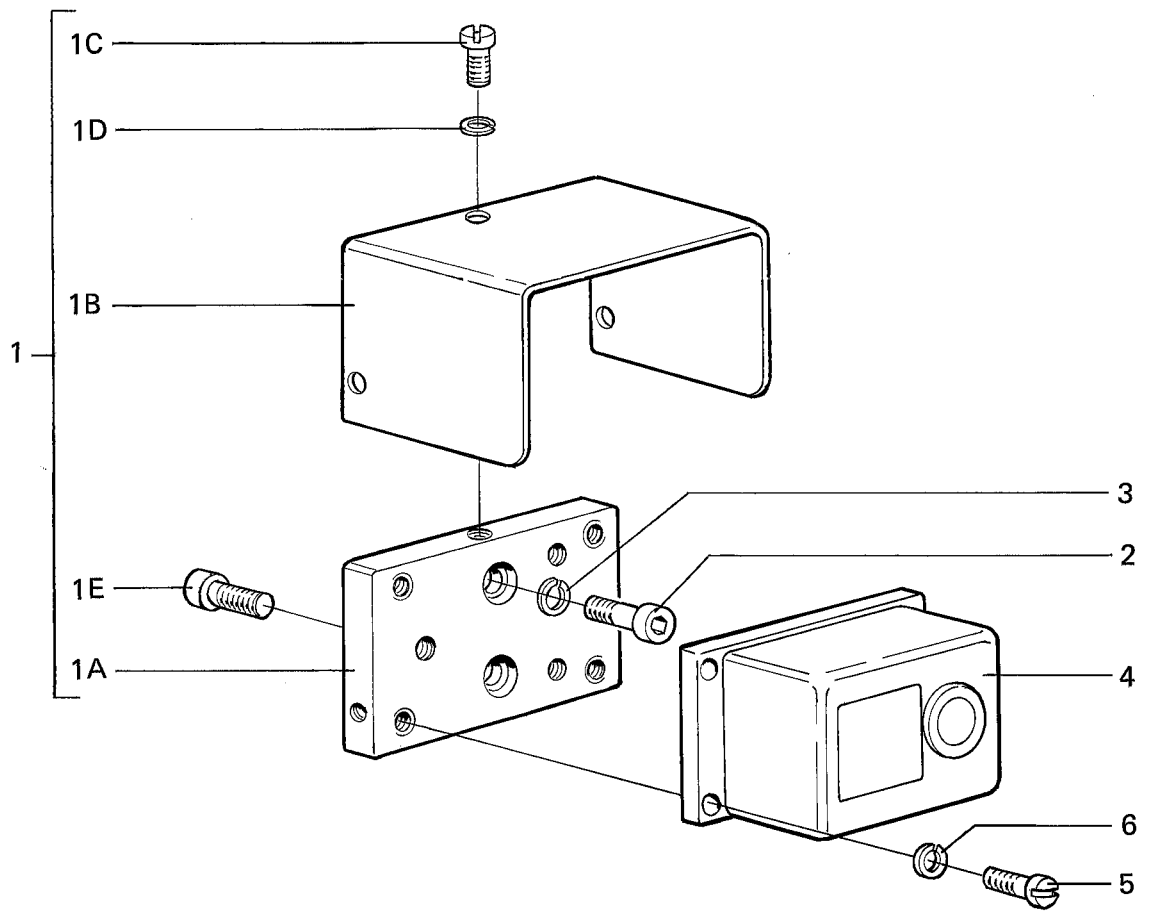
8 Gravity disc for clarification

Ref	Part No	Description	Machine unit number or Subassembly description 560915- -02	Notes
	560915 02	Gravity disc for clarification	Quantity 1	



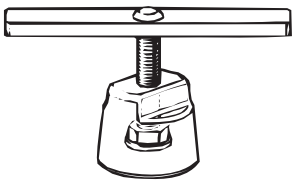

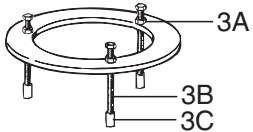
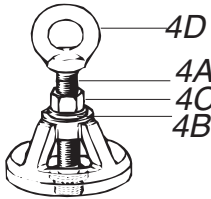

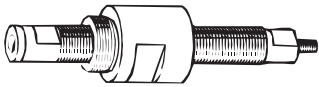

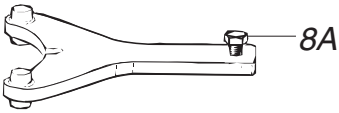


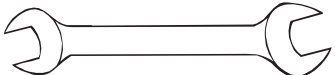
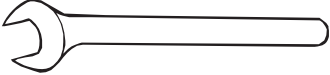
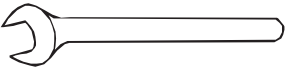
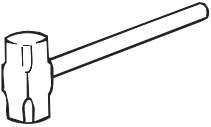
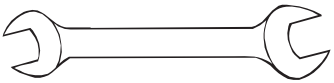

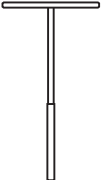
9 Vibration monitoring unit

Ref	Part No	Description	Machine unit number or Subassembly description 536498-						Notes
			-82	Quantity					
1	536469 80	Support	1						
1 A	536470 01	Plate	1						
1 B	536471 01	Cap	1						
1 C	221135 11	Screw	3						
1 D	70915	Spring washer	3						
1 E	221716 01	Screw	3						
2	221726 01	Screw	2						
3	223107 35	Spring washer	2						
4	530307 01	Vibration switch	1						
5	221711 13	Screw	4						
6	223107 34	Spring washer	4						



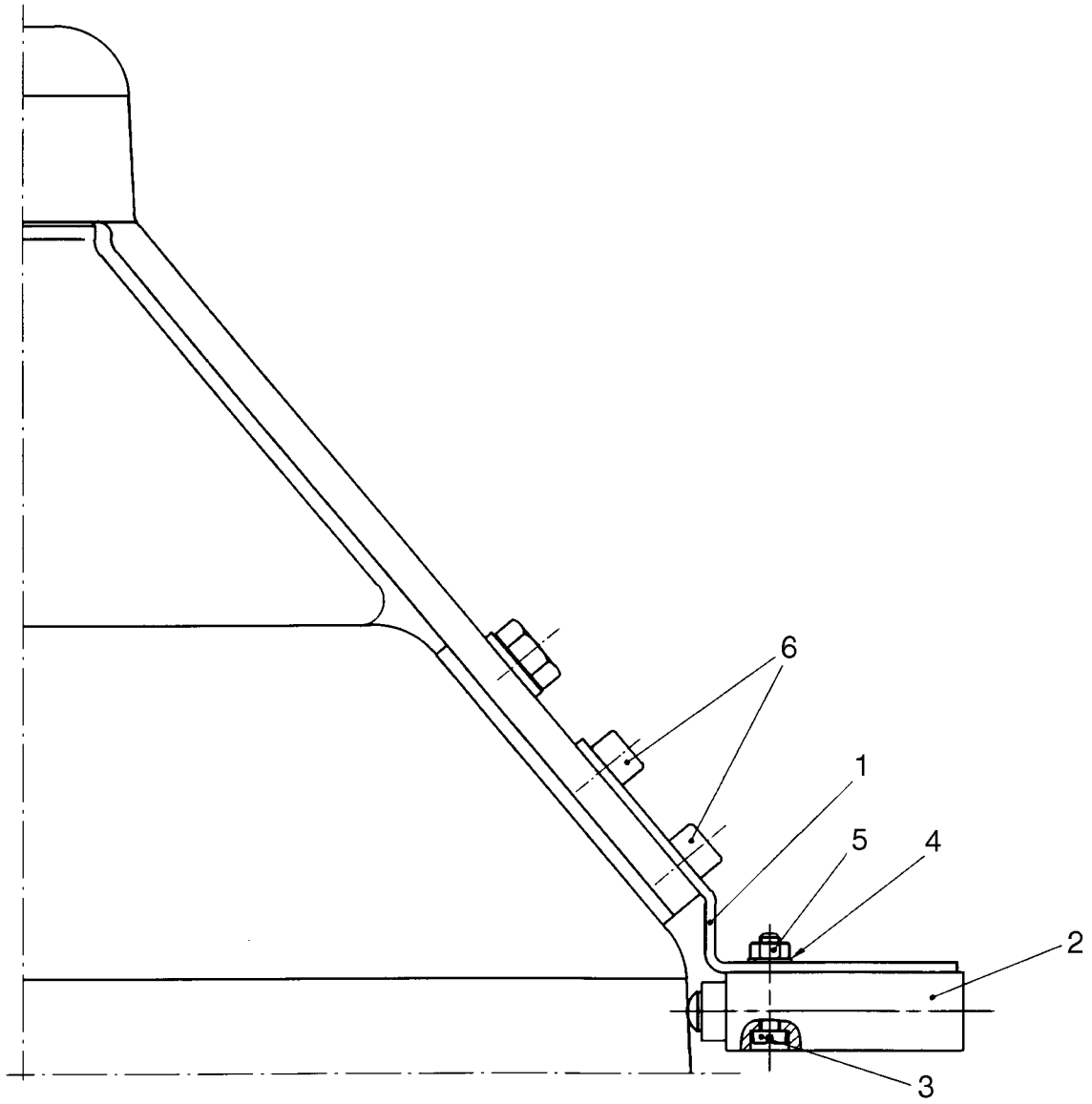
10 Set of tools

Ref	Part No	Description	Machine unit number or Subassembly description					Notes
			546166-					
			-08	Quantity				
1	545840 80	Puller and lifting tool	1					Bowl body
2	545841 80	Puller and lifting tool	1					Sliding bowl bottom
3	546293 80	Puller	1					Distributing ring upper
3 A	27345	Nut	3					
3 B	221035 60	Screw	3					
3 C	546222 01	Hose	3					
4	548806 81	Compression tool	1					Disc stack
5	221035 60	Screw	2					Operating slide/ Distributing ring
6	545844 80	Mounting and dismounting tool	1					Friction coupling
7	544555 01	Mounting tool	1					Ball bearing
8	545867 80	Spanner for bowl hood	1					Bowl hood
9	545837 02	Spanner for lock ring	1					Lock ring
10	527355 03	Hexagon socket head key	1					Nozzle
11	527380 07	Spanners double	1					
12	526378 19	Open-ended spanner	1					
13	527380 08	Open-ended spanner	1					
14	528927 01	Tin hammer 3 kg	1					
15	527380 06	Open-ended spanner	1					
16	561624 80	Driving off tool	1					Ball bearing
17	561628 80	Cleaning cutter	1					Bowl spindle

<p>1</p> 	<p>2</p> 	<p>3</p> 
<p>4</p> 	<p>5</p> 	<p>6</p> 
<p>7</p> 	<p>8</p> 	<p>9</p> 
<p>10</p> 	<p>11</p> 	<p>12</p> 
<p>13</p> 	<p>14</p> 	<p>15</p> 
<p>16</p> 	<p>17</p> 	

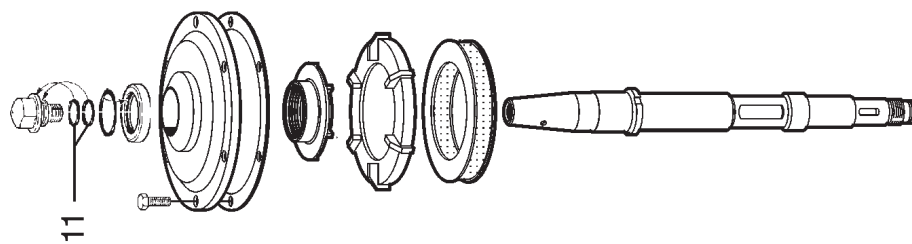
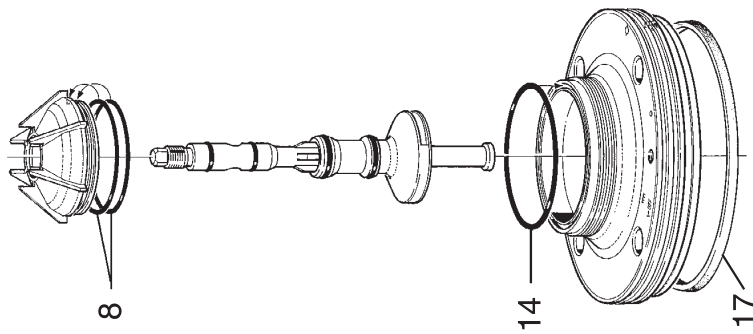
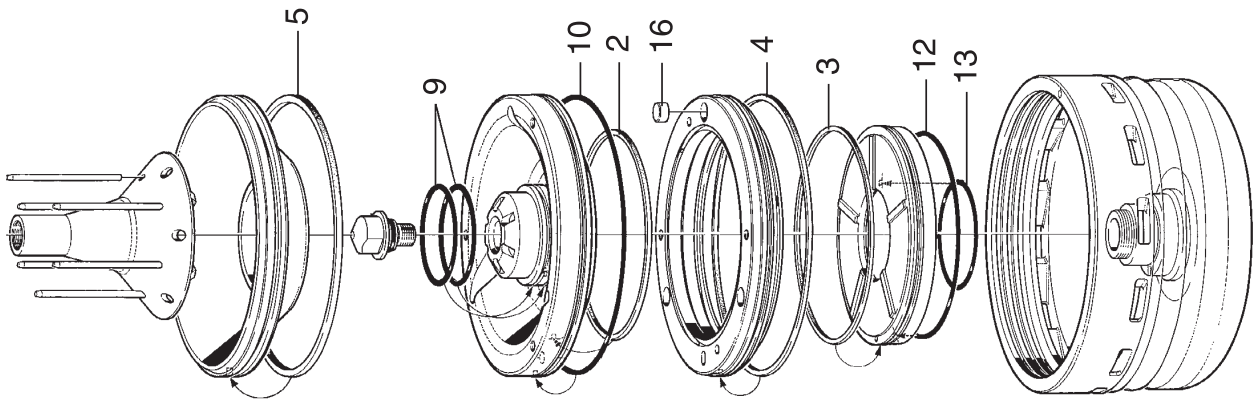
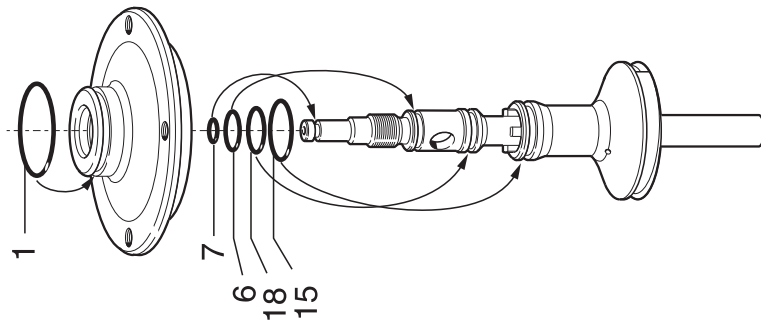
11 Interlocking switch

Ref	Part No	Description	Machine unit number or Subassembly description							Notes
			559889-							
			-01	Quantity						
1	559882 01	Support plate	1							
2	551337 01	Limit switch	1							
3	221121 15	Screw	2							
4	223101 41	Washer	2							
5	221803 20	Nut	2							
6	221711 17	Screw	2							



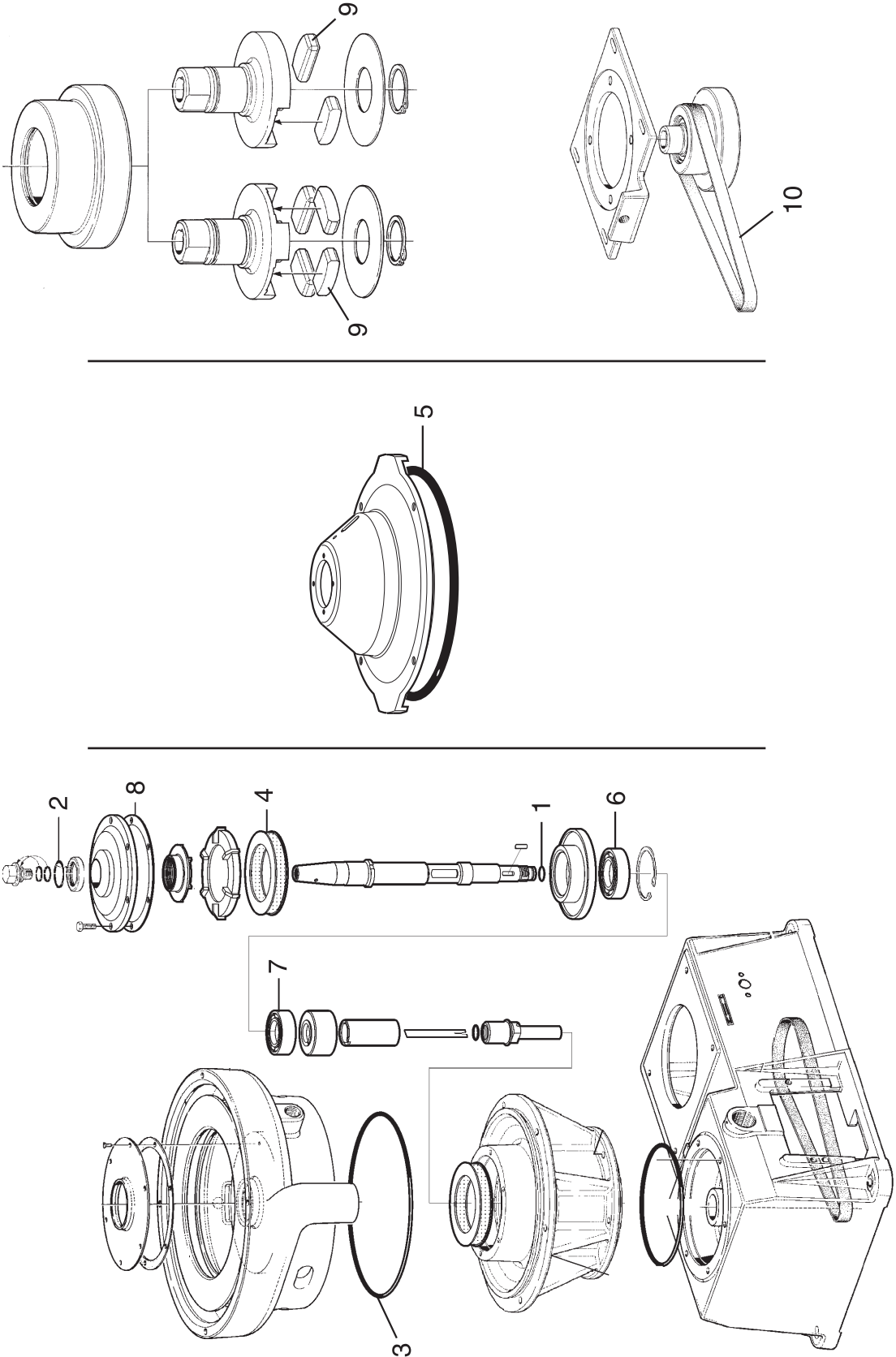
12 Intermediate service kit

Ref	Part No	Description	Machine unit number or Subassembly description							Notes	
			546669-								
			-09	Quantity							
1	223406 29	O-ring	1								Support/ Connecting housing
2	545800 01	Rectangular ring	1								Distributing ring upper
3	545800 04	Rectangular ring	1								Distributing ring lower
4	545800 03	Rectangular ring	1								Operating slide
5	543446 02	Rectangular ring	1								Sliding bowl bottom/ Bowl body
6	223404 20	O-ring	1								Inlet pipe/ Connecting housing
7	223404 10	O-ring	1								Inlet pipe/ Safety device
8	223406 14	O-ring	2								Leader cone/ Top disc
9	260104 91	O-ring	2								Distributing ring upper
10	73632	O-ring	1								Distributing ring upper
11	223404 82	O-ring	2								Cap nut
12	68011	O-ring	1								Distributing ring lower
13	223406 35	O-ring	1								Distributing ring lower
14	223406 22	O-ring	1								Bowl hood/ Paring disc chamber
15	74067	O-ring	1								Paring disc/ Support
16	545871 01	Valve plug	3								Operating slide
17	541691 01	Seal ring	1								Bowl hood
18	223404 22	O-ring	1								Inlet pipe/ Connecting housing
19	537086 03	Molybdenum disulfide past	1								
20	539474 03	Silicone grease	1								
99	573399	Exploded view	1								



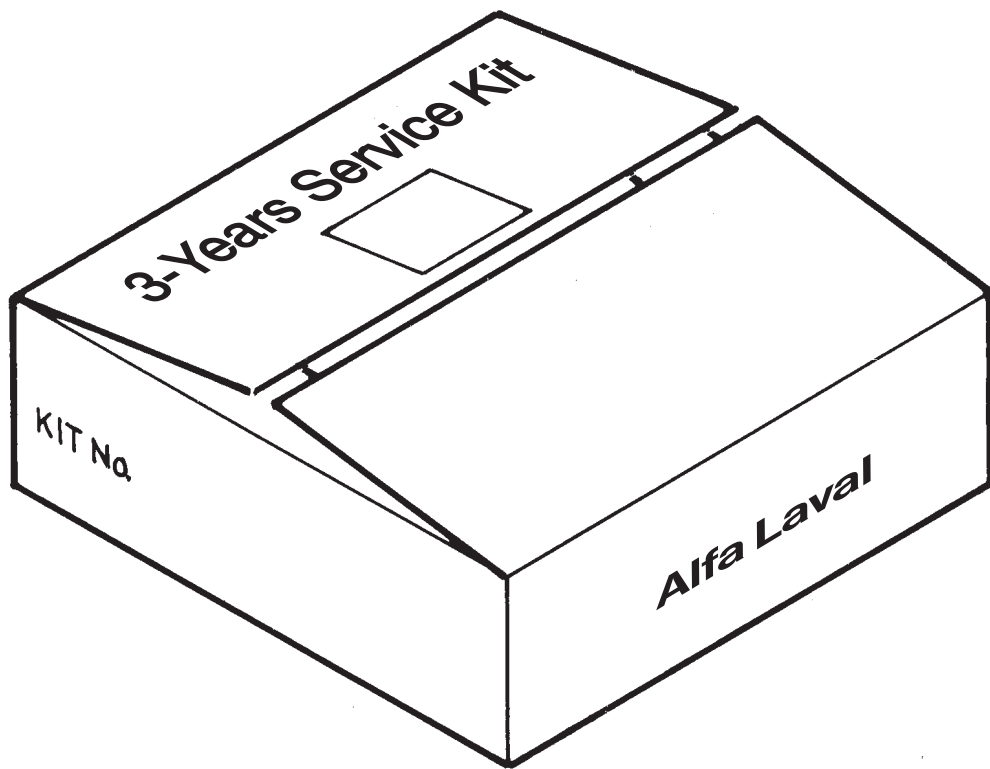
13 Major service kit

Ref	Part No	Description	Machine unit number or Subassembly description							Notes
			546670-							
			-07 -08							
			Quantity							
			↓	↓						
		50 Hz								
		60 Hz								
1	223403 16	O-ring	1	1						Pump sleeve/ Belt pulley
2	223406 29	O-ring	1	1						Deflector ring/ Bowl spindle
3	223412 49	O-ring	1	1						Frame intermediate part
4	543619 80	Rubber buffer	2	2						Frame intermediate part/ Buffer holder
5	223412 54	O-ring	1	1						Frame top part/ Frame hood
6	548051 05	Ball bearing	1	1						Bowl spindle/ Ball bearing holder
7	37535	Ball bearing	1	1						Frame intermediate part/ Bowl spindle
8	543612 01	Gasket	1	1						Top bearing cover
9	544060 01	Friction element	4	2						Friction coupling
10	260169 22	Flat belt	1							
10	260169 23	Flat belt		1						
11	544465 02	Locking liquid	1	1						
99	573400	Exploded view	1	1						



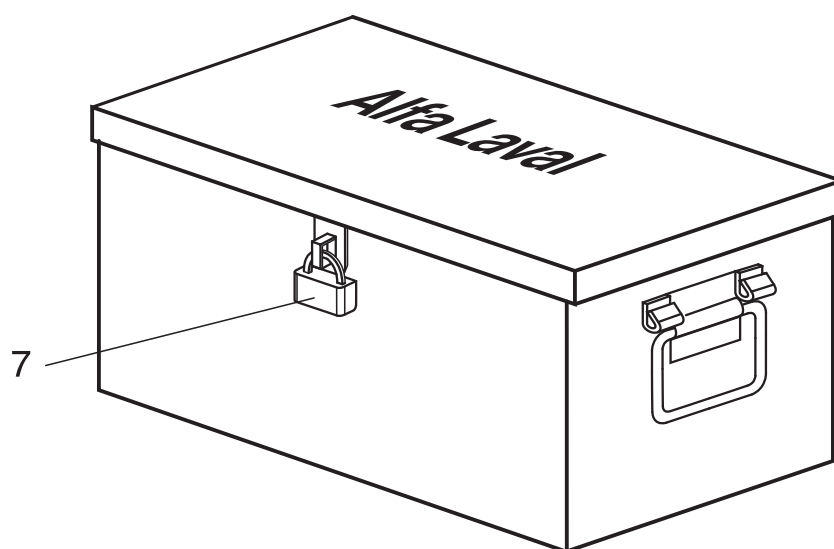
14 3-years service kit

Ref	Part No	Description	Machine unit number or Subassembly description					Notes
			555613-					
			-02	Quantity				
1	233211 66	Ball bearing	2					Friction coupling
2	545892 01	Frame foot	4					Frame bottom part
3	223107 35	Spring washer	4					Frame foot
4	73547	Seal ring	1					Frame intermediate part
5	223412 38	O-ring	1					Frame intermediate part/ Frame bottom part
6	70915	Spring washer	1					Friction coupling
7	543662 02	Gasket	1					Screen/ Frame intermediate part
8	260244 01	Screw	6					Screen/ Frame intermediate part
9	545818 01	Round wire retaining ring	1					Oil filling device
10	223406 27	O-ring	2					Oil filling device
11	542392 02	Seal ring	1					Oil filling device



15 Tool box

Ref	Part No	Description	Machine unit number or Subassembly description 558533- -81	Notes
			Quantity	
7	558533 10	Padlock	1	



16 Cross reference list

Part No	Page	Ref.	Part No	Page	Ref.	Part No	Page	Ref.
27345	38	3 A	223403 16	44	1	527355 03	38	10
32652	16	2	223403 16	12	15	527380 06	38	15
37535	44	7	223404 10	42	7	527380 07	38	11
37535	12	12	223404 10	20	15	527380 08	38	13
41456	28	8	223404 20	42	6	528927 01	38	14
68011	18	3	223404 20	20	13	530307 01	36	4
68011	42	12	223404 22	20	14	536469 80	36	1
70560	20	18	223404 22	42	18	536470 01	36	1 A
70915	36	1 D	223404 82	42	11	536471 01	36	1 B
70915	28	5	223404 82	12	36	537086 03	42	19
70915	22	6	223406 14	42	8	539474 03	42	20
70915	46	6	223406 14	18	25	541691 01	42	17
73547	46	4	223406 22	42	14	541691 01	18	21
73547	12	28	223406 22	18	23	542392 02	14	5
73632	42	10	223406 27	14	2	542392 02	46	11
73632	18	11	223406 27	14	3	542986 04	24	3
74067	20	2	223406 27	46	10	542986 04	30	3
74067	42	15	223406 29	42	1	543446 02	42	5
221035 02	12	25	223406 29	44	2	543446 02	18	13
221035 06	20	10	223406 29	20	11	543566 01	18	22
221035 06	20	19	223406 29	12	27	543567 01	18	14
221035 08	28	6	223406 35	18	2	543590 06	18	15 B
221035 12	22	5	223406 35	42	13	543609 02	12	19
221035 60	38	3 B	223412 38	12	5	543612 01	44	8
221035 60	38	5	223412 38	46	5	543612 01	12	23
221040 05	20	6	223412 49	44	3	543613 02	12	24
221040 05	12	8	223412 49	12	29	543619 80	44	4
221040 05	22	8	223412 54	20	3	543619 80	12	9
221040 05	28	9	223412 54	44	5	543645 01	12	34
221040 05	12	32	223610 07	12	14	543662 02	46	7
221040 05	12	43	223641 17	24	6	543662 02	12	33
221040 41	12	39	223641 17	30	6	543669 01	22	4
221040 52	22	11	223642 34	24	4	543669 01	28	4
221045 29	12	4	223642 34	30	4	543857 01	24	8
221121 15	40	3	223642 36	12	20	543857 01	30	8
221135 11	36	1 C	226314 11	26	2	543858 02	24	1
221711 13	36	5	233211 66	46	1	543858 02	30	1
221711 17	40	6	233211 66	24	2	543858 04	24	1
221716 01	36	1 E	233211 66	30	2	543953 05	12	45
221726 01	36	2	260104 91	18	9	544024 01	14	4
221803 20	40	5	260104 91	42	9	544058 02	24	5
222111 95	18	12 A	260169 22	22	10	544058 04	30	5
222119 51	26	5	260169 22	44	10	544060 01	24	7
222137 10	16	5	260169 23	22	10	544060 01	30	7
222210 21	16	6	260169 23	28	10	544060 01	44	9
223101 41	40	4	260169 23	44	10	544203 02	12	22
223107 34	36	6	260244 01	46	8	544337 02	12	26
223107 35	12	3	260244 01	12	35	544465 02	44	11
223107 35	36	3	526337 06	12	44	544555 01	38	7
223107 35	46	3	526378 19	38	12	544575 80	22	3

Part No	Page	Ref.
544575 81	22	3
544575 84	28	3
544925 01	18	20
545597 01	12	17
545601 80	12	13
545620 02	12	21
545654 02	18	8
545655 02	18	5
545657 80	18	15
545684 01	18	15 A
545782 02	22	1
545797 02	18	24
545800 01	42	2
545800 01	18	4
545800 04	42	3
545800 04	18	10
545800 03	42	4
545800 03	18	6
545817 01	14	1
545818 01	14	6
545818 01	46	9
545819 01	14	7
545831 80	12	40
545832 01	14	8
545837 02	38	9
545840 80	38	1
545841 80	38	2
545844 80	38	6
545848 01	26	1
545848 02	26	1
545853 01	26	3
545853 02	26	3
545856 80	22	7
545856 81	28	7
545867 80	38	8
545869 01	18	1 A
545871 01	18	7
545871 01	42	16
545892 01	12	2
545892 01	46	2
546057 02	12	37
546157 80	20	7
546222 01	38	3 C
546293 80	38	3
546562 01	26	4
546915 02	24	5
547251 02	28	1
547260 01	28	2
548010 03	12	1
548012 02	12	6

Part No	Page	Ref.
548046 80	12	41
548047 80	16	1
548049 02	16	3
548051 05	44	6
548051 05	12	11
548152 03	20	5
548152 03	12	7
548152 03	22	9
548152 03	22	12
548152 03	12	31
548152 03	12	42
548152 04	20	22
548806 81	38	4
551337 01	40	2
552766 08	20	20
553159 02	16	4
553171 01	32	6
553272 01	32	6
554214 02	32	8
558533 10	48	7
559266 01	20	16
559882 01	40	1
560757 01	12	10
560763 01	12	16
560767 80	12	18
560915 02	34	
560916 01	18	26
560916 02	18	27
560916 03	18	28
560916 04	18	29
560916 05	18	30
560916 06	18	31
560916 07	18	32
560985 80	12	38
561000 02	18	33
561013 02	20	9
561072 80	18	1
561104 80	18	12
561104 82	18	12
561271 80	20	17
561272 80	20	1
561297 02	20	12
561307 01	20	8
561315 02	20	4
561624 80	38	16
561628 80	38	17
562596 01	20	21
565393 01	12	46
566279 01	12	30
573399	42	99

Part No	Page	Ref.
573400	44	99
575192 80	18	16
575192 80	18	18
575192 80	18	19
575364 80	18	17
1270001	32	7
1270020 01	32	3 A
1270020 02	32	3 B
1270020 03	32	3 C
1270020 04	32	3 D
1270020 05	32	3 E
1270020 06	32	3 F
1270020 07	32	3 G
1270020 08	32	3 H
1270020 09	32	3 I
1270020 10	32	3 J
1270020 11	32	3 K
1270020 12	32	3 L
1270020 13	32	3 M
1270020 14	32	3 N
1270020 15	32	3 O
1270020 16	32	3 P
1270020 17	32	3 Q
1270020 18	32	3 R
1270020 19	32	3 S
1270320	32	3