



US006520902B1

(12) **United States Patent**  
**Brown et al.**

(10) **Patent No.:** **US 6,520,902 B1**  
(45) **Date of Patent:** **Feb. 18, 2003**

(54) **CENTRIFUGE CARTRIDGE FOR REMOVING SOOT FROM ENGINE OIL**

2,745,217 A	5/1956	Gold et al.
3,007,629 A	11/1961	Boyland
3,223,315 A	12/1965	Smith
3,228,597 A	1/1966	Walker et al.
3,273,324 A	9/1966	Jennings
3,335,946 A	8/1967	Putterlik
3,403,848 A	10/1968	Windsor et al.

(75) Inventors: **Gene W. Brown**, Kearney, NE (US);  
**Steven J. Merritt**, Kearney, NE (US)

(73) Assignee: **Baldwin Filters, Inc.**, Kearney, NE (US)

(List continued on next page.)

(\* ) Notice: Subject to any disclaimer, the term of this patent is extended or adjusted under 35 U.S.C. 154(b) by 138 days.

**FOREIGN PATENT DOCUMENTS**

(21) Appl. No.: **09/655,676**

GB	1089355	11/1967
SU	362643	12/1972
SU	564884	7/1977
SU	869822	10/1981
WO	83/02406	7/1983

(22) Filed: **Sep. 6, 2000**

**Related U.S. Application Data**

(63) Continuation-in-part of application No. 09/420,161, filed on Oct. 18, 1999, now Pat. No. 6,261,455, and a continuation-in-part of application No. 09/420,162, filed on Oct. 18, 1999, now Pat. No. 6,296,765.

(60) Provisional application No. 60/141,465, filed on Jun. 29, 1999, provisional application No. 60/112,231, filed on Dec. 15, 1998, and provisional application No. 60/105,135, filed on Oct. 21, 1998.

(51) **Int. Cl.**<sup>7</sup> ..... **B01D 21/26**; B04B 1/04; B04B 9/02; B04B 9/06

(52) **U.S. Cl.** ..... **494/24**; 494/43; 494/46; 494/49; 494/60; 494/62; 494/82; 494/84; 210/168; 184/6.24; 123/196 A

(58) **Field of Search** ..... 210/168.1, 360.1, 210/380.1; 123/192.1, 196 A; 184/6.24; 494/24, 43, 46, 49, 57, 60, 62, 84

(56) **References Cited**

**U.S. PATENT DOCUMENTS**

2,053,856 A	9/1936	Weidenbacker
2,129,992 A	9/1938	De Mattia
2,256,951 A	9/1941	Van Riel
2,321,144 A	6/1943	Jones
2,335,420 A	11/1943	Jones
2,485,390 A	10/1949	Langmuir
2,647,686 A	8/1953	Drury

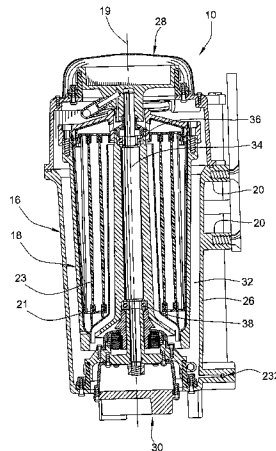
*Primary Examiner*—David A. Reifsnnyder

(74) *Attorney, Agent, or Firm*—Leydig, Voit & Mayer, Ltd.

(57) **ABSTRACT**

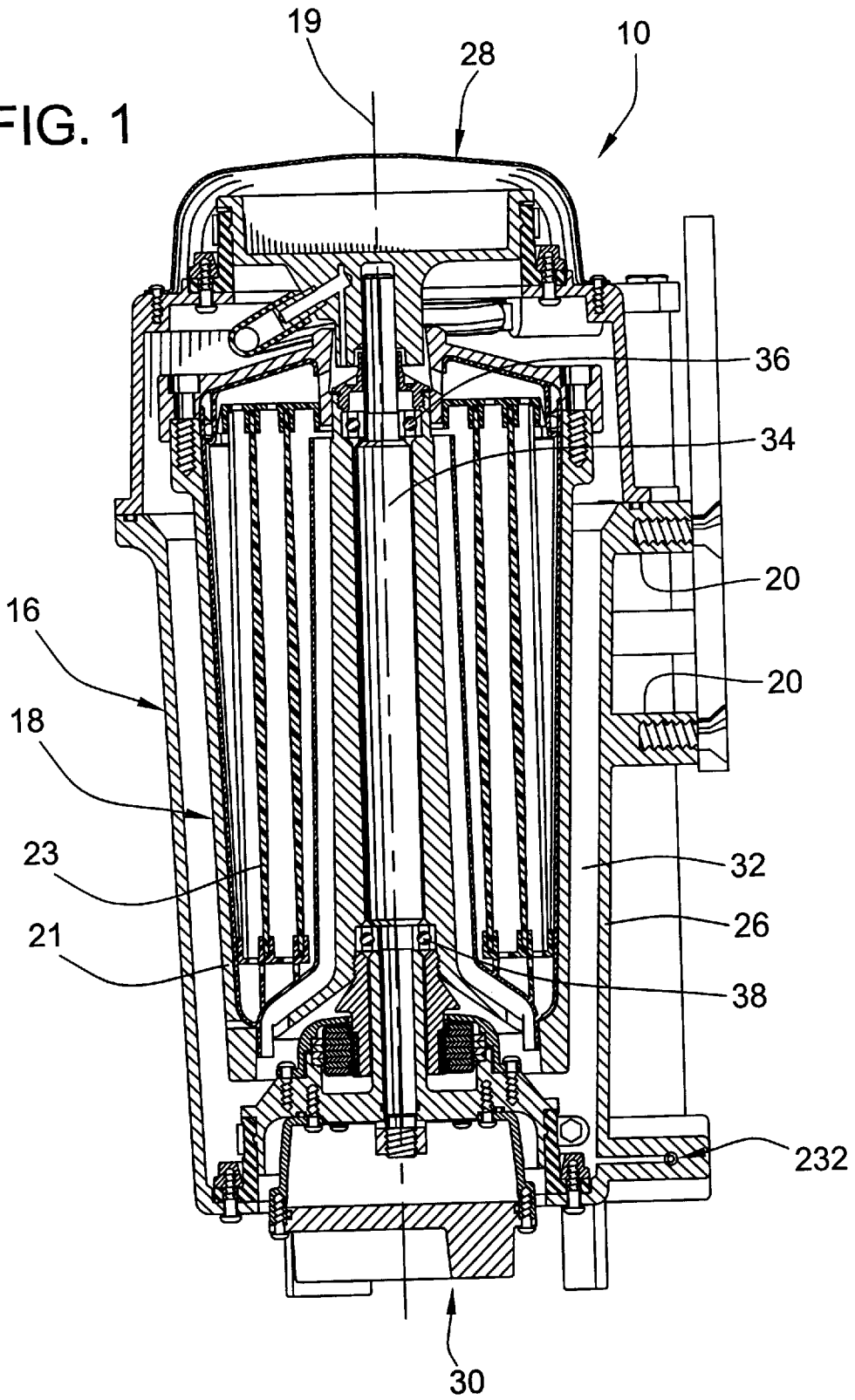
A centrifuge filter for removing soot from engine oil. The centrifuge filter includes a rotor adapted to be rotated inside a centrifuge housing by an electric motor or other means. The rotor preferably includes a reusable aluminum support casing and a disposable plastic cartridge. The plastic cartridge includes a trap with partition walls to prevent wave formation in the rotating liquid contained in the trap. The cartridge includes an annular inlet through its top end, a winding flow path through the cartridge and an outlet at the bottom end. The centrifuge housing includes an isolated sealed rotor chamber. Using the venturi effect, air is evacuated from the rotor chamber to provide a partial vacuum to reduce air drag on the rotor. Resilient rubber vibration isolators are used to reduce vibrations and engine induced shock loads from reaching the rotating element. A side oil inlet is provided in the cartridge to receive unfiltered oil at a location offset from the axis of rotation. Oil is feed in through the top of the centrifuge cartridge and discharged out the bottom. The rotor is carried by bearings on a stationary central support shaft. Maintenance is performed through a removable lid on the top end of the rotor. A restriction plug is used to control flow into the rotor.

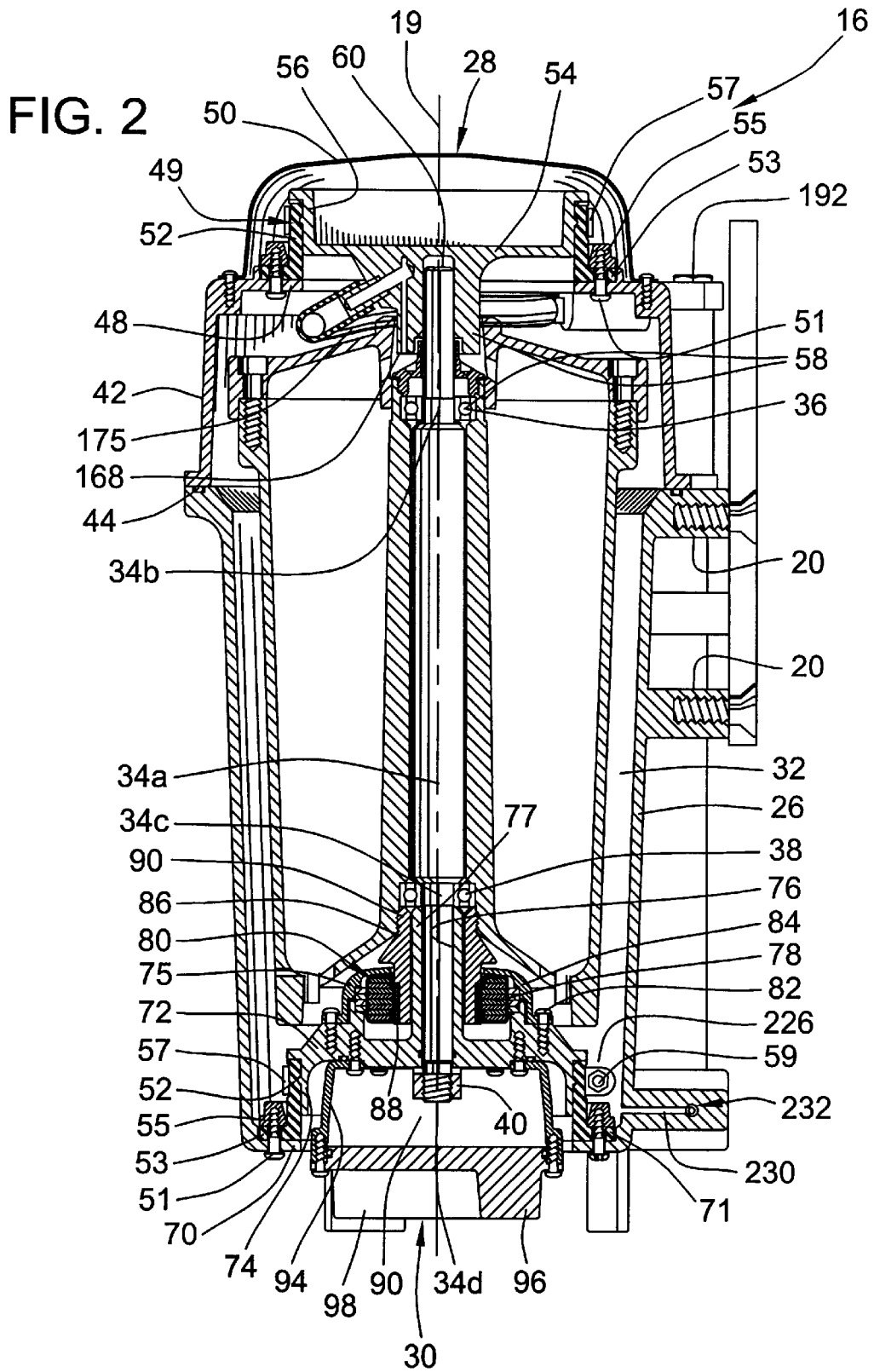
**38 Claims, 24 Drawing Sheets**



U.S. PATENT DOCUMENTS					
			4,547,185 A	10/1985	Hellekant
3,430,853 A	3/1969	Kirk et al.	4,557,831 A	12/1985	Lindsay et al.
3,432,091 A	3/1969	Beazley	4,891,041 A	1/1990	Hohmann et al.
3,762,633 A	10/1973	Ishii	5,085,783 A	2/1992	Feke et al.
3,784,092 A	1/1974	Gibson	5,096,581 A	3/1992	Purvey
3,791,576 A	2/1974	Bazil	5,364,335 A	11/1994	Franzen et al.
3,879,294 A	4/1975	Ellis et al.	5,494,579 A	2/1996	Robatel et al.
4,106,689 A	8/1978	Kozulla	5,637,217 A	6/1997	Herman et al.
4,142,671 A	3/1979	Irvin et al.	5,656,164 A	8/1997	Vado et al.
4,150,580 A	4/1979	Silkebakken et al.	5,707,519 A	1/1998	Miller et al.
4,165,032 A	8/1979	Klingenberg	5,779,618 A	7/1998	Onodera et al.
4,221,323 A	9/1980	Courtot	5,785,849 A	7/1998	Mules
4,288,030 A	9/1981	Beazley et al.	6,017,300 A	1/2000	Herman
4,492,631 A	1/1985	Martin	6,019,717 A	2/2000	Herman
4,498,898 A	2/1985	Haggett			

FIG. 1





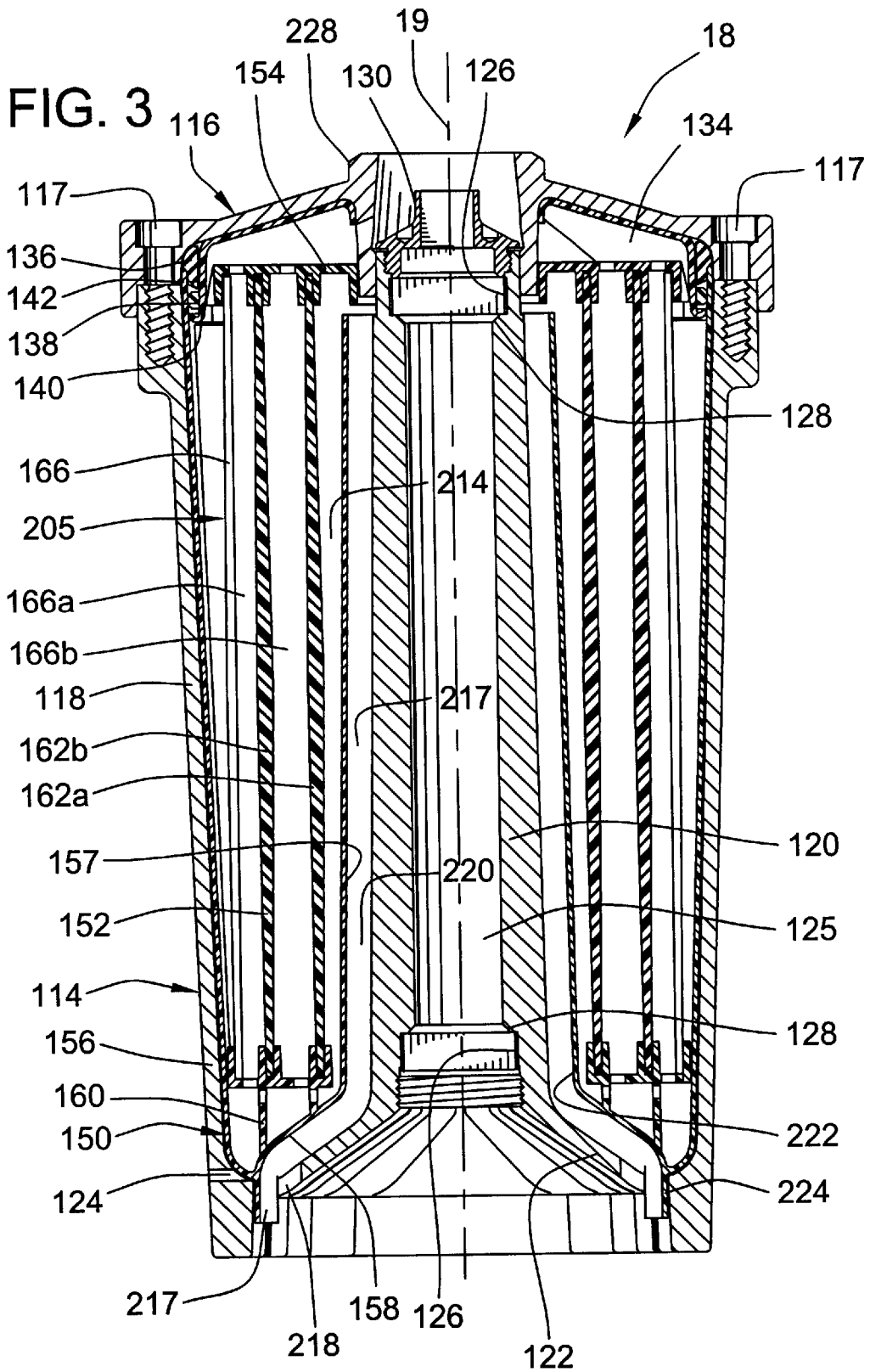
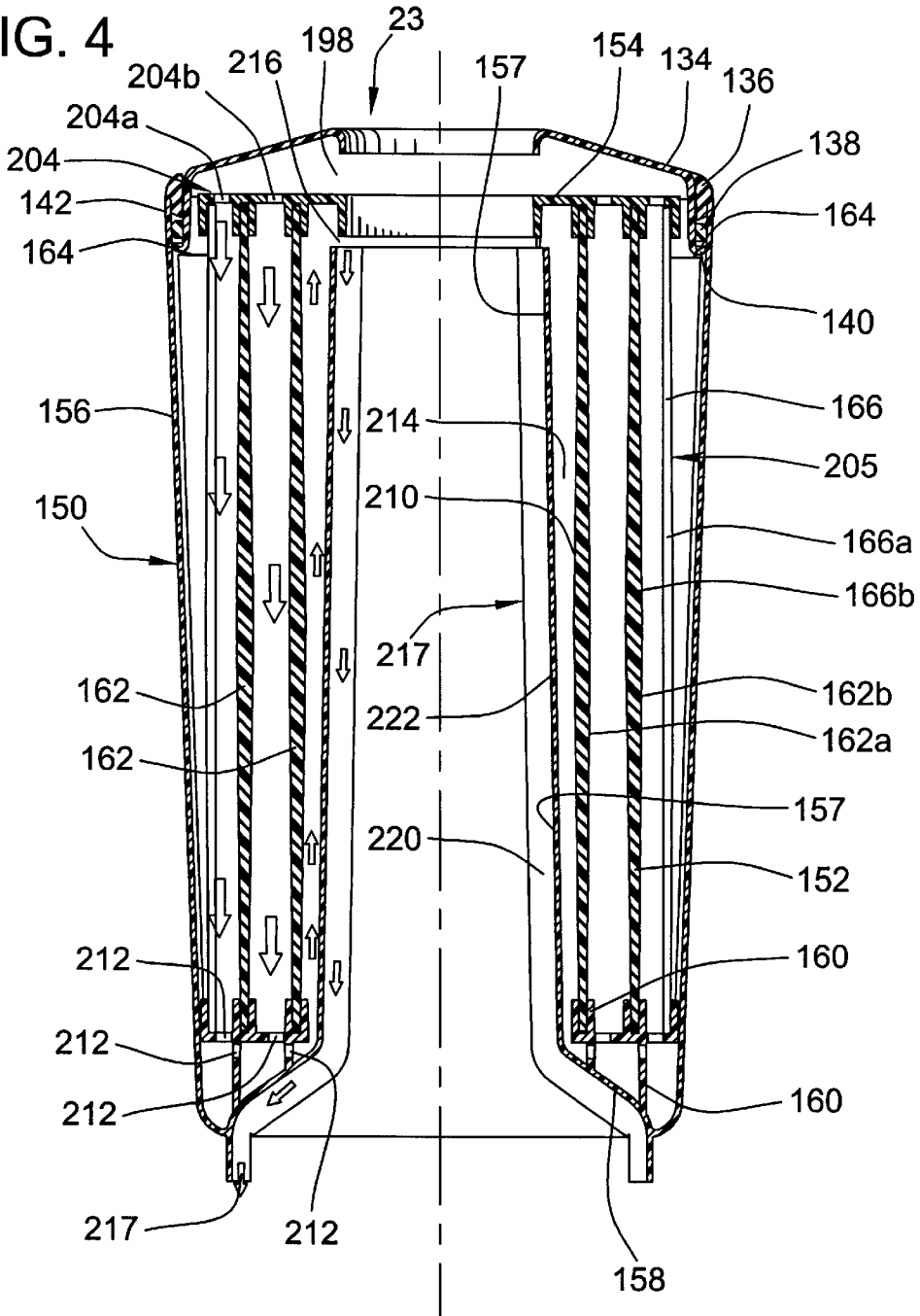


FIG. 4



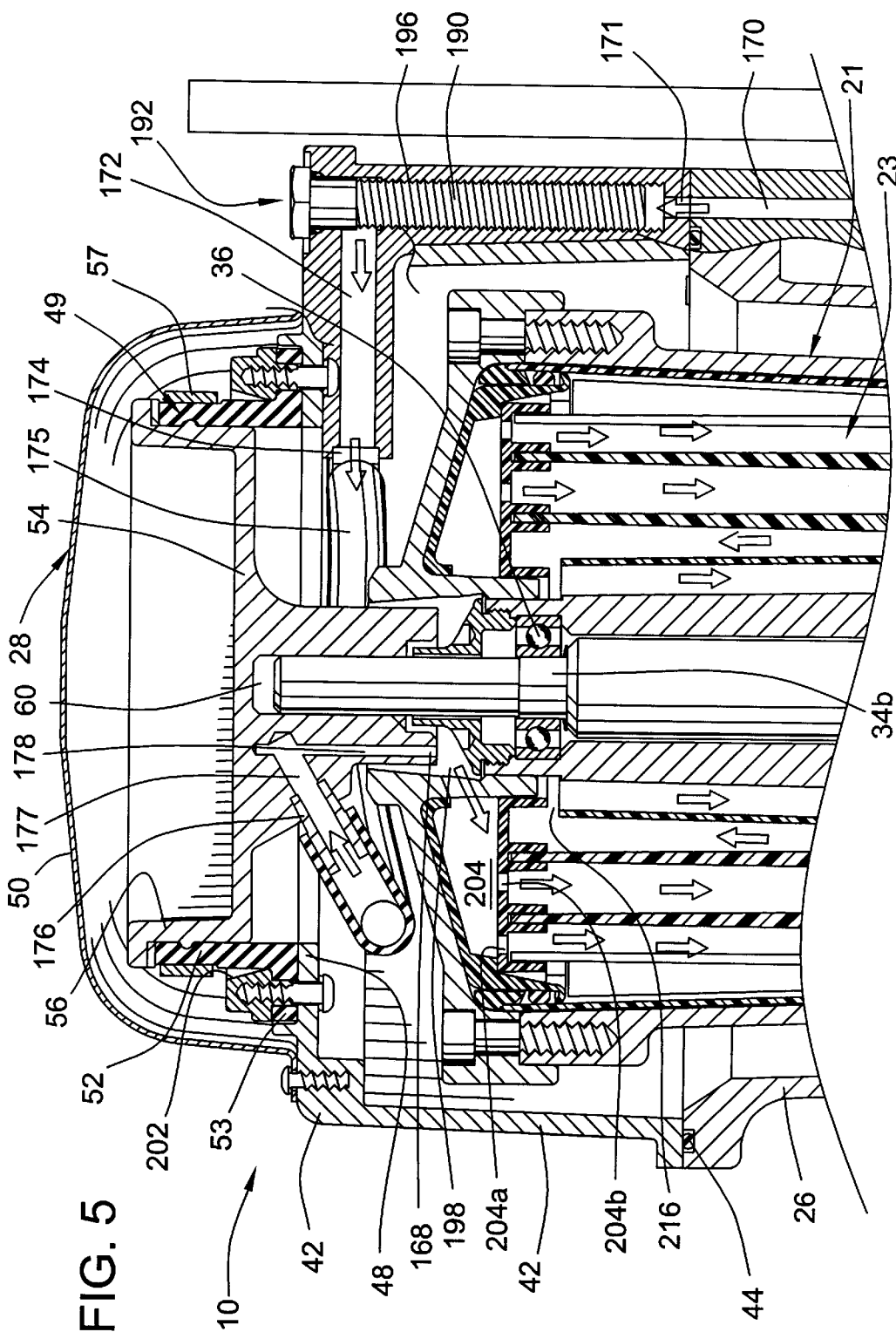


FIG. 5

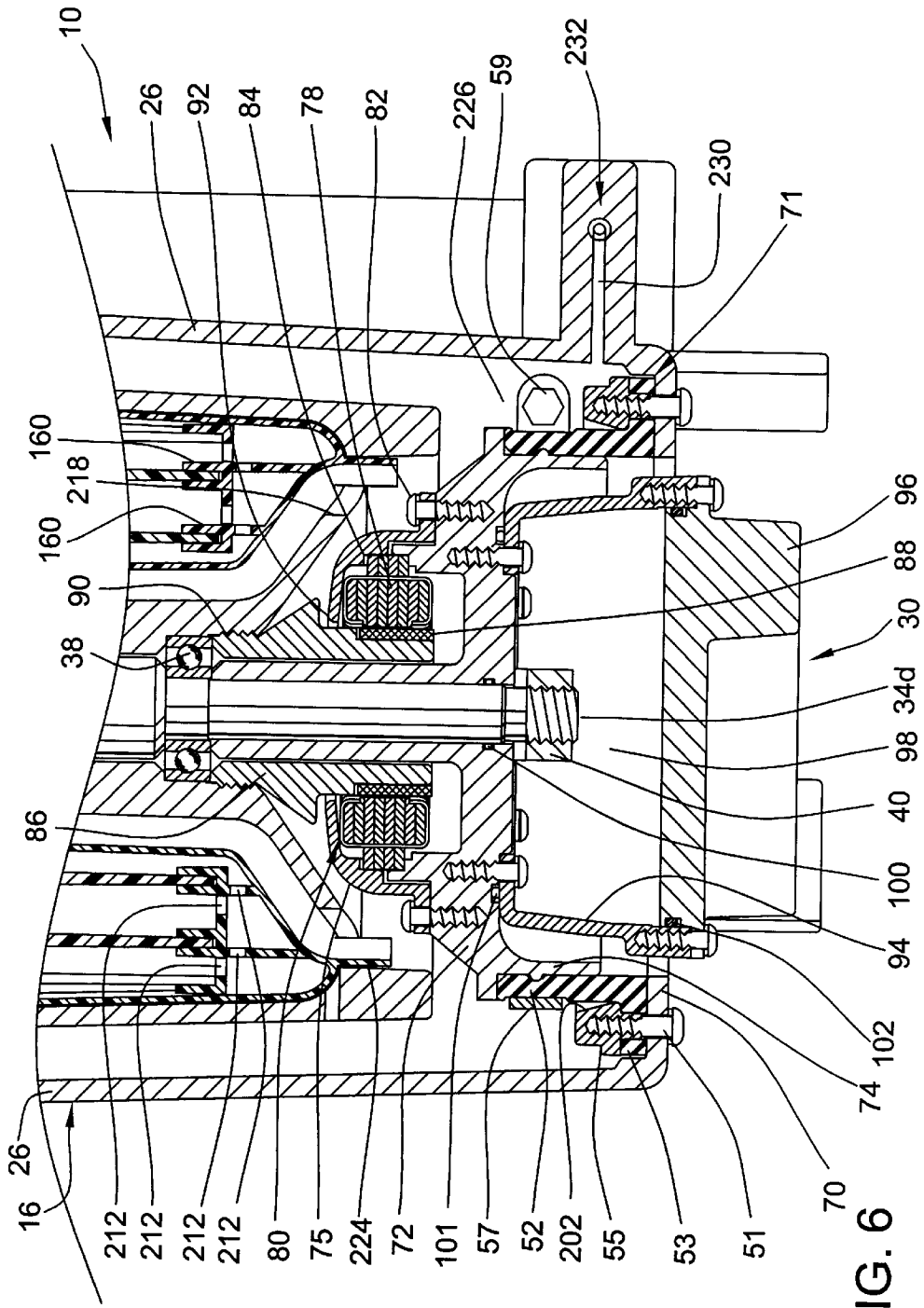
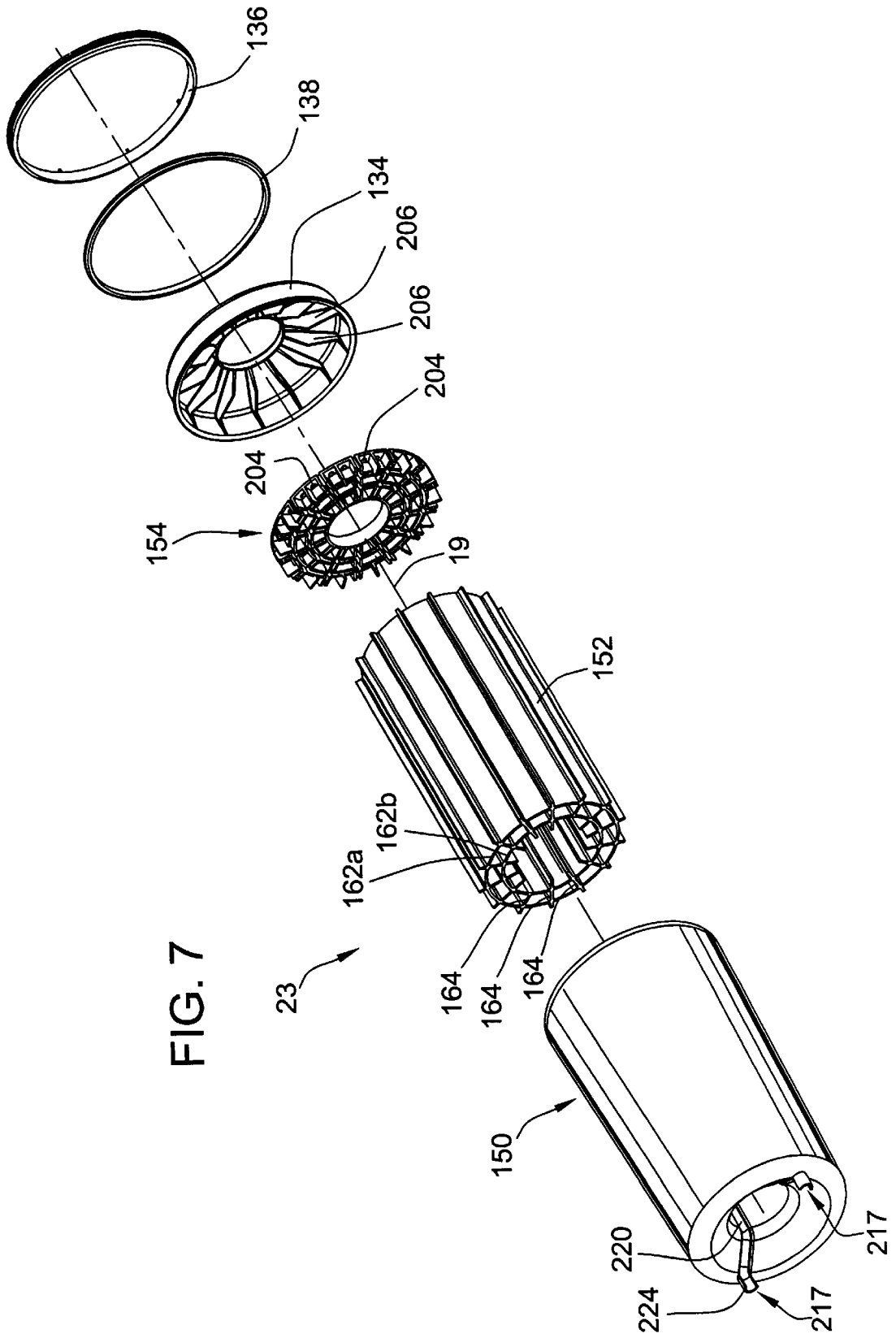


FIG. 6





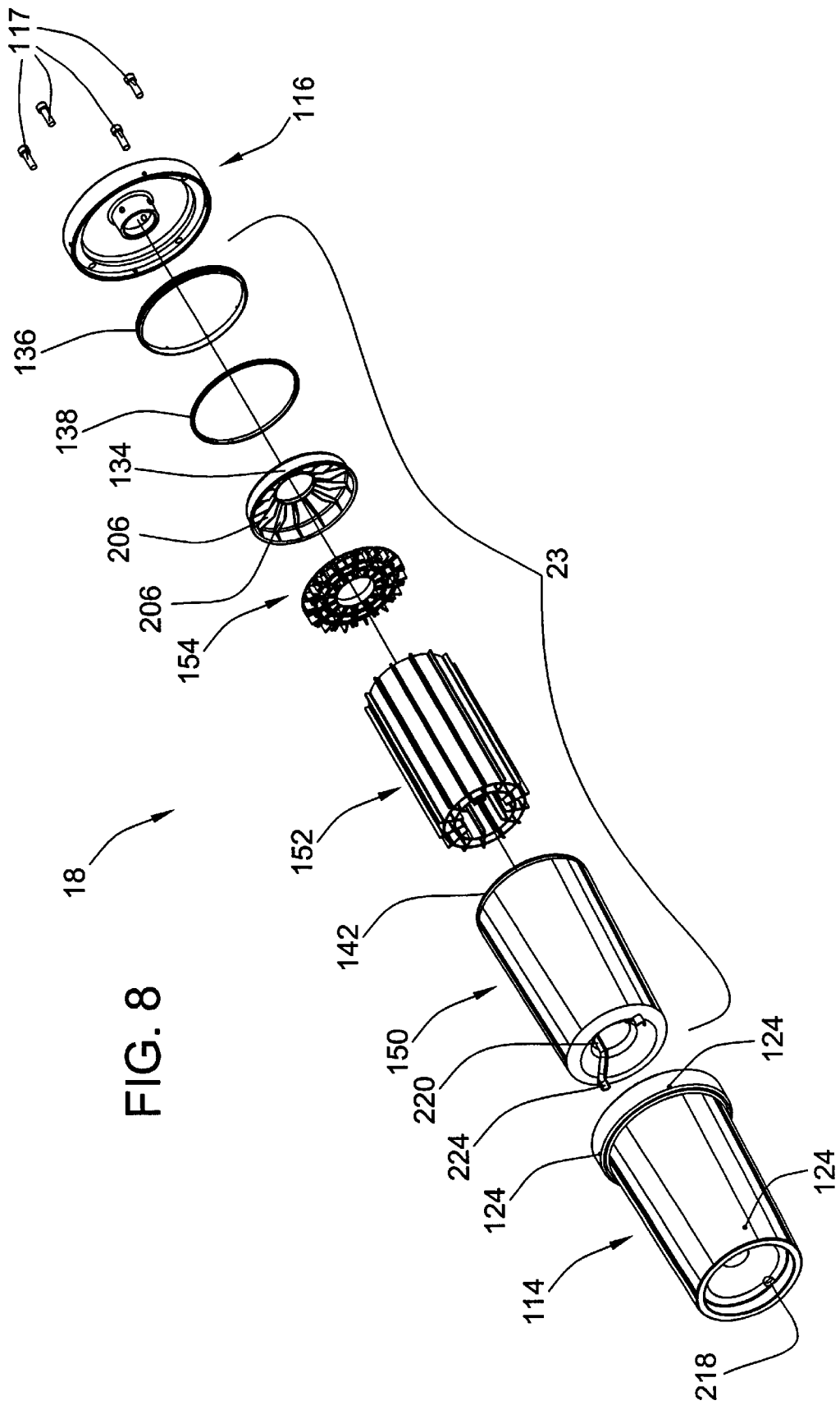


FIG. 8

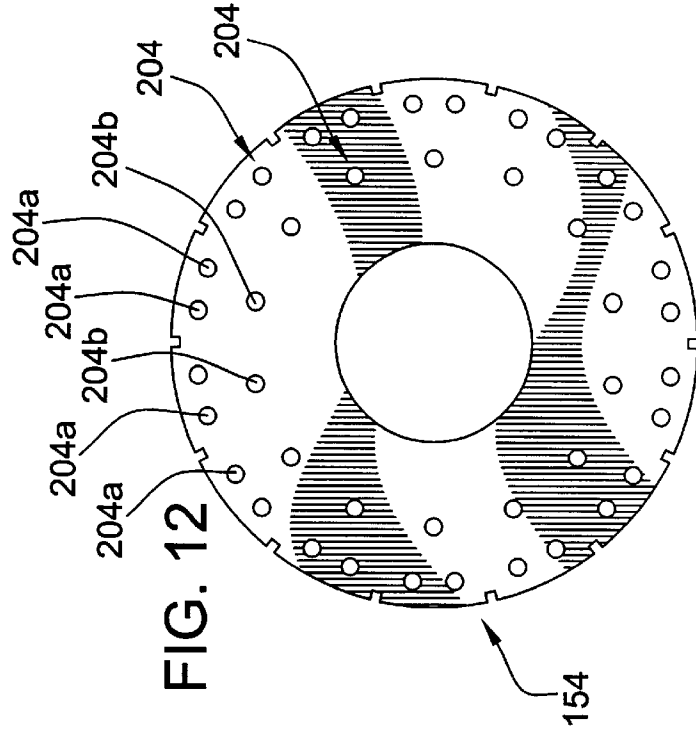
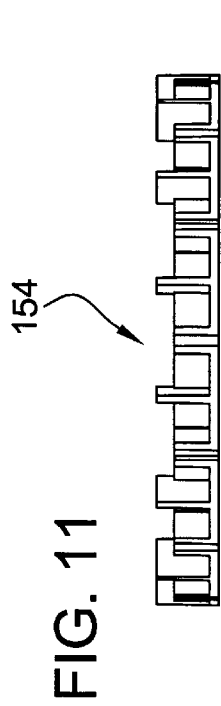
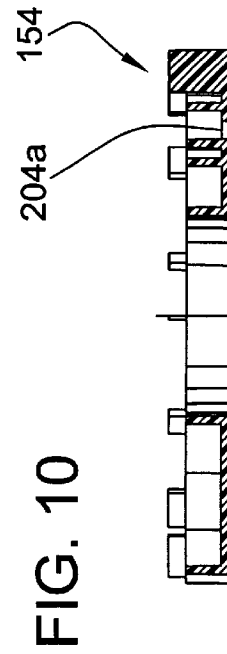
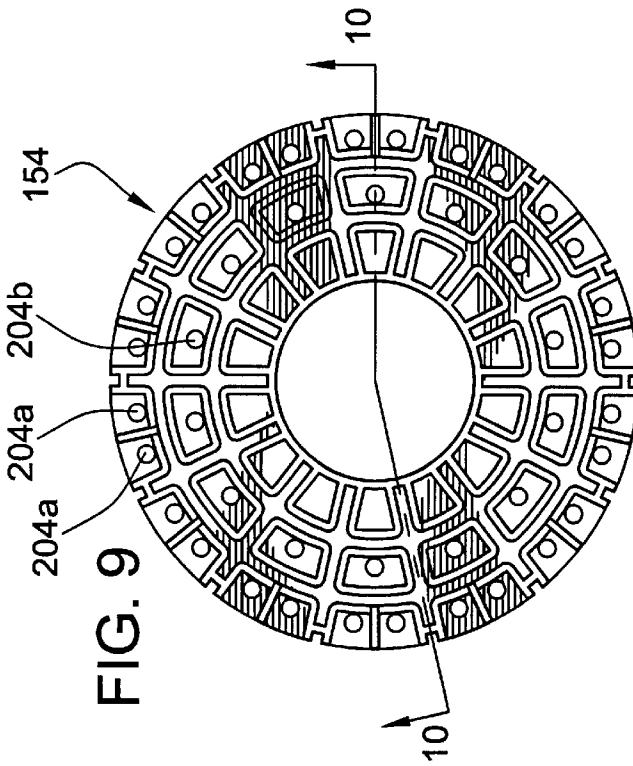


FIG. 11

FIG. 12

FIG. 9

FIG. 10

FIG. 13

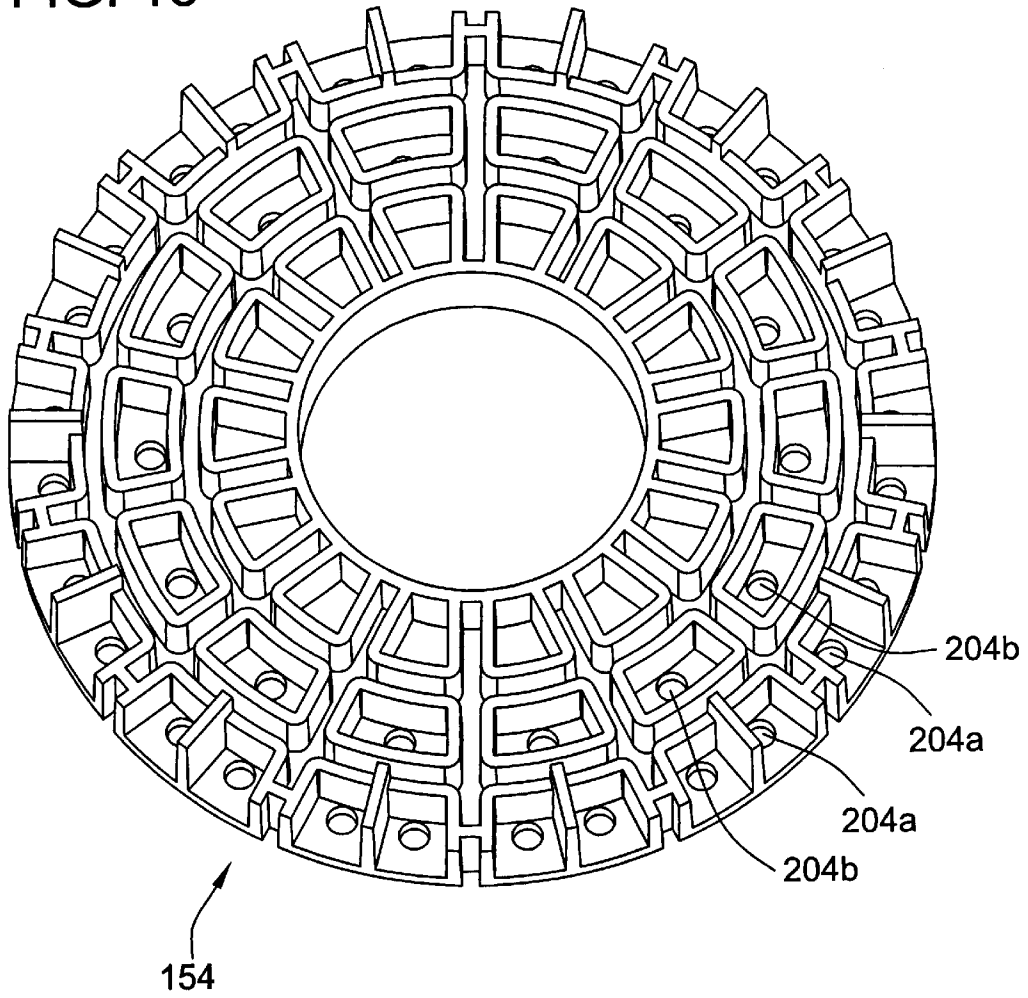


FIG. 14

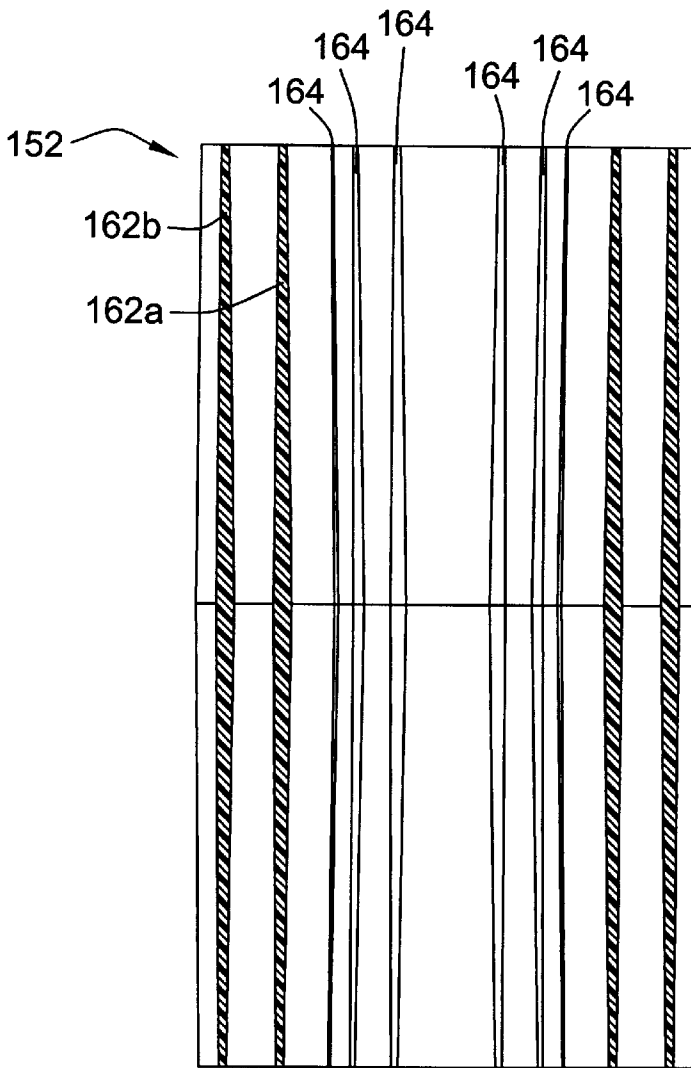
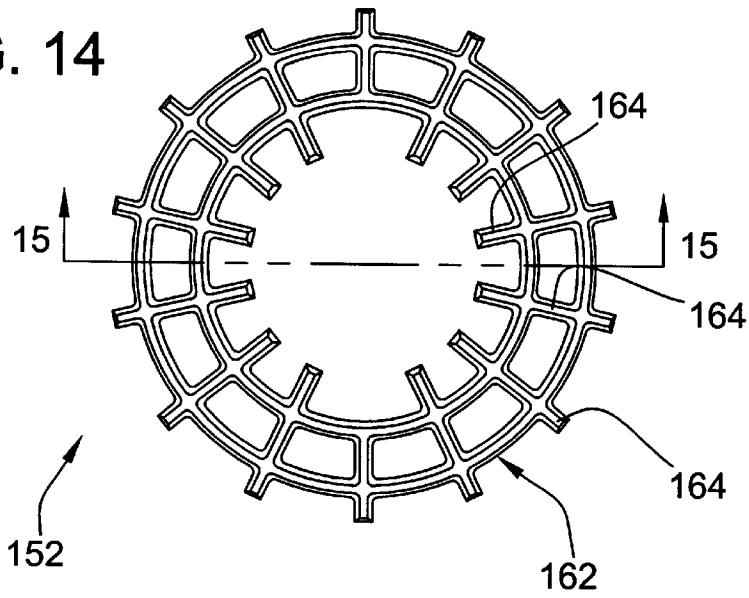
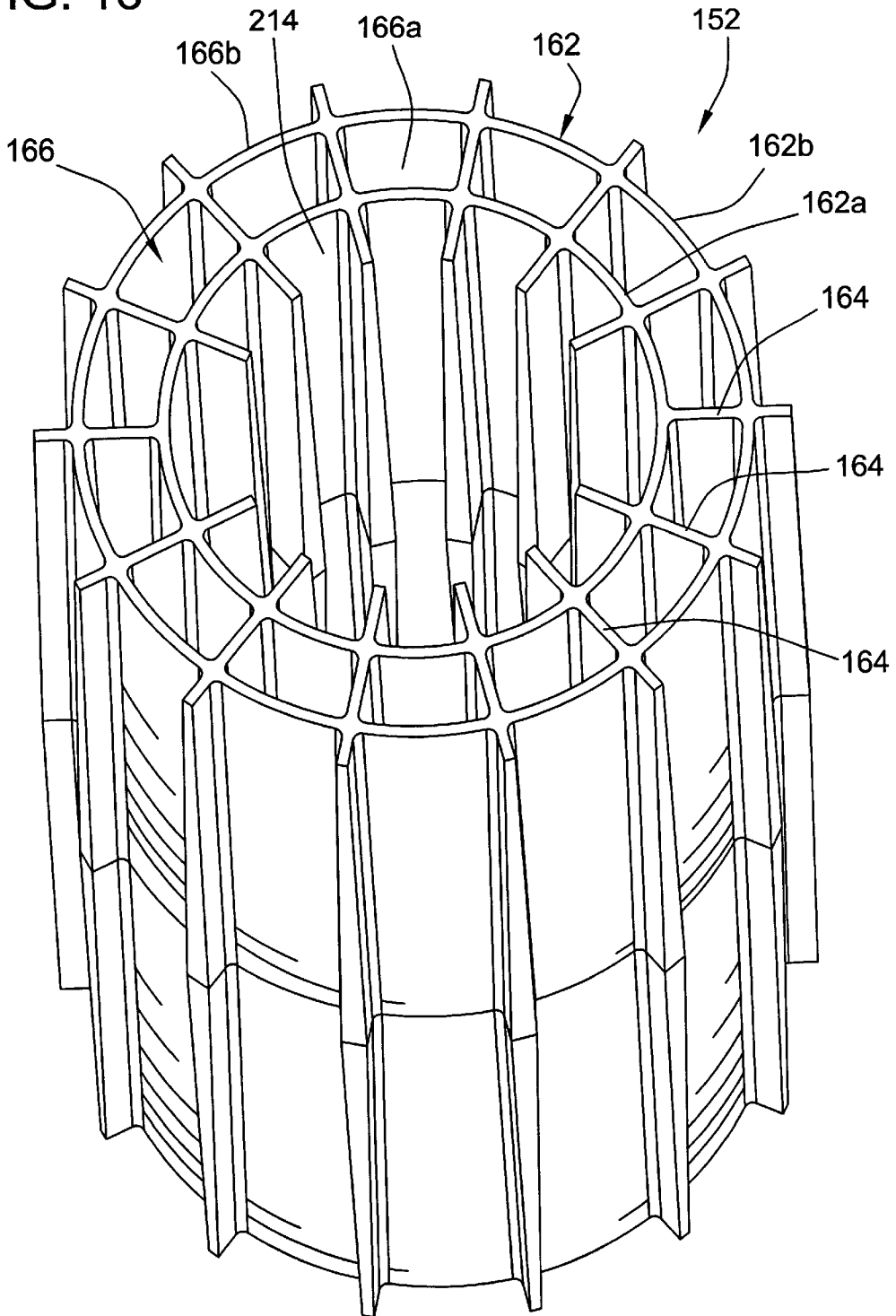
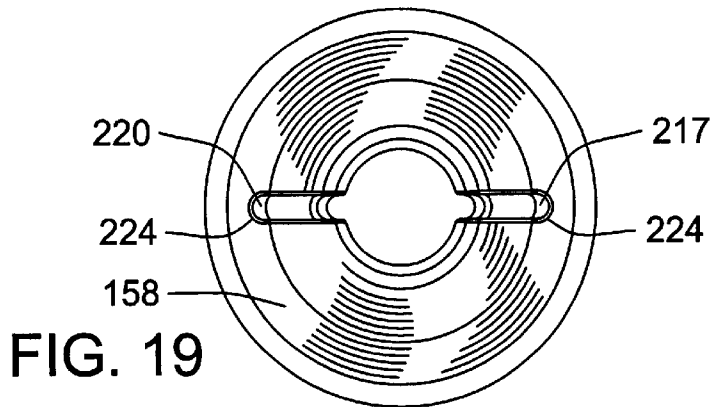
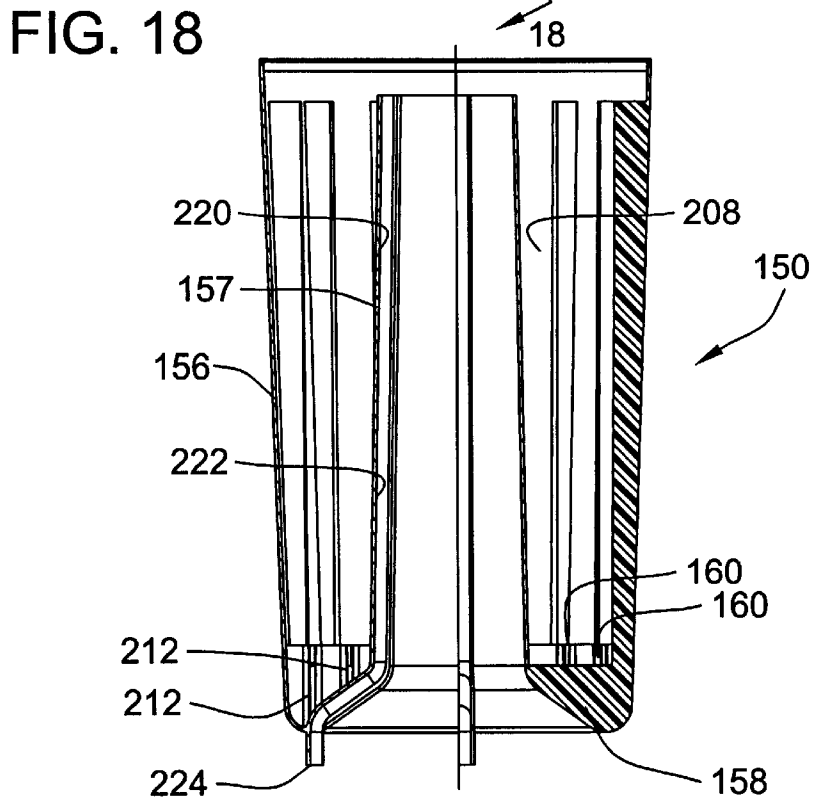
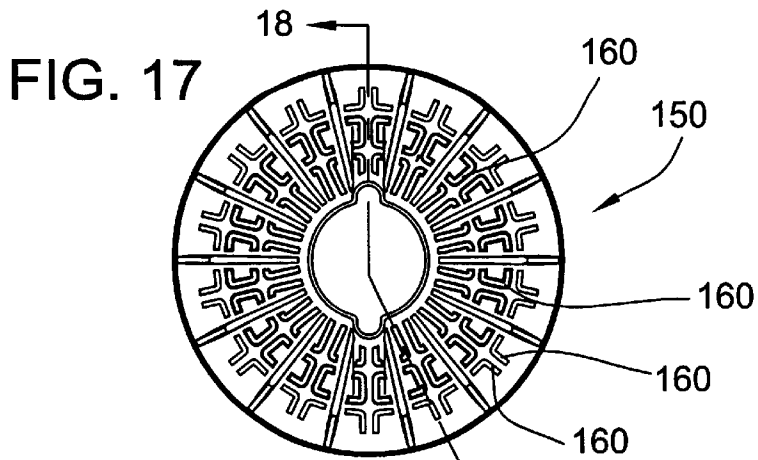


FIG. 15

FIG. 16





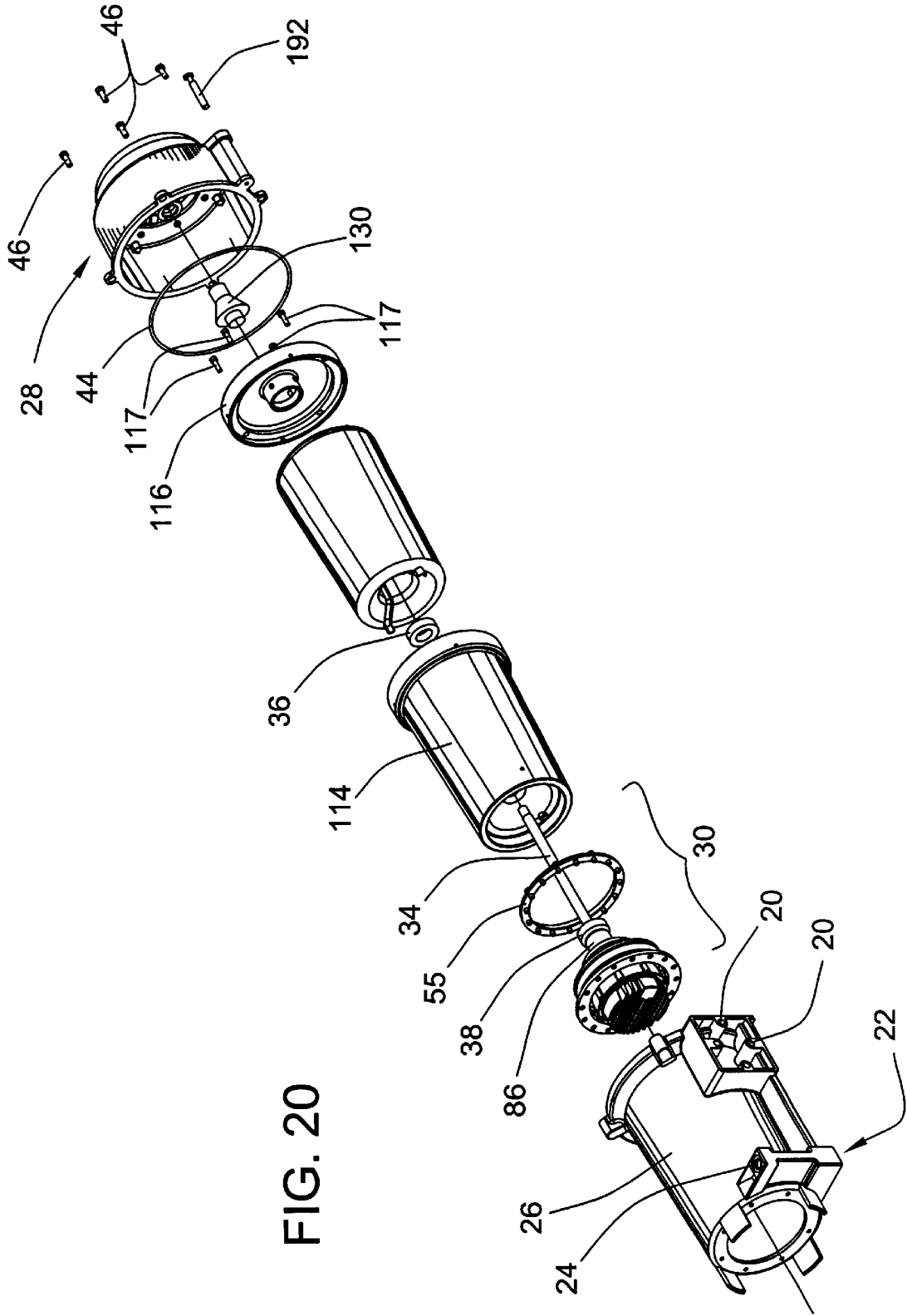
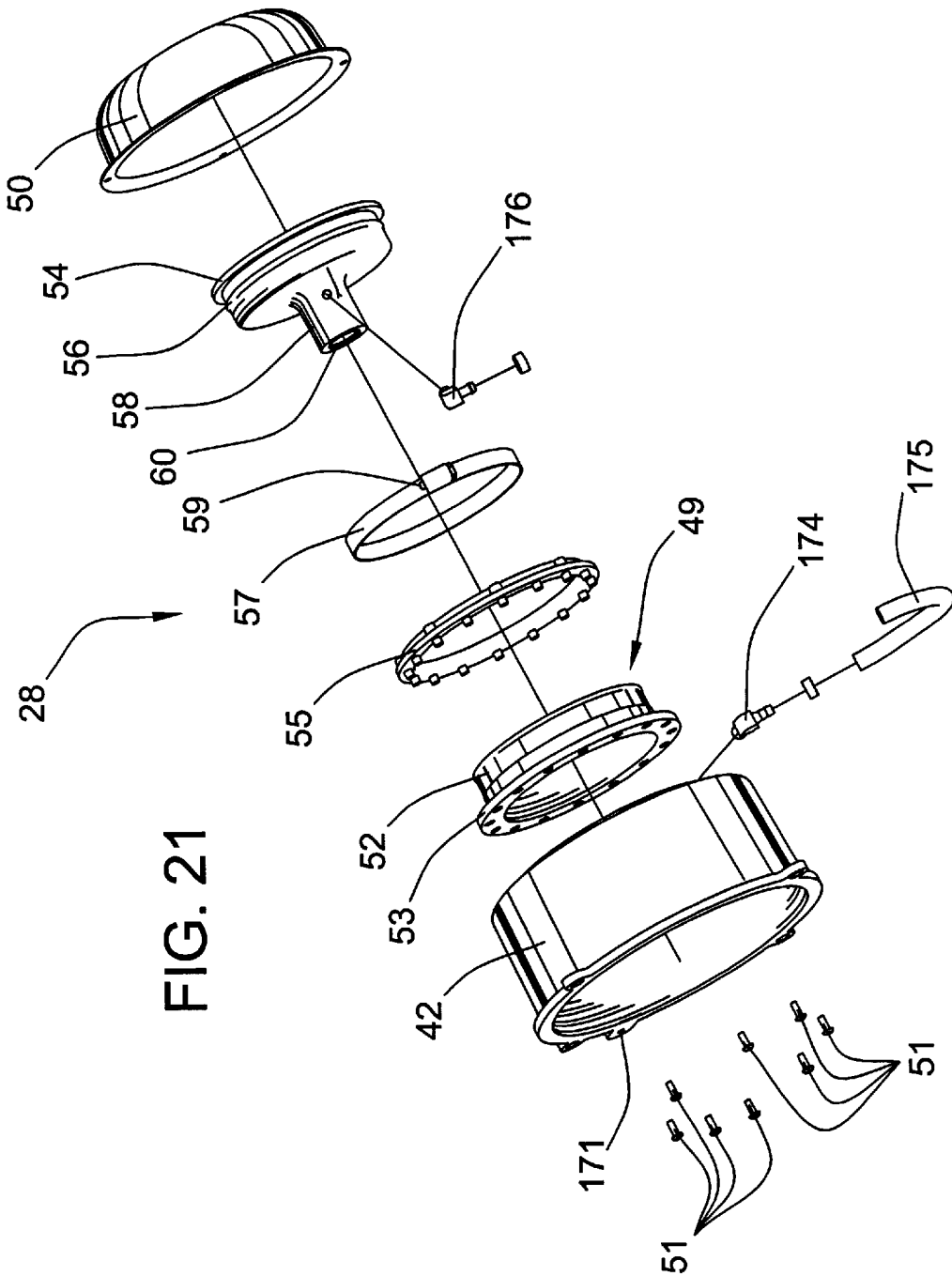


FIG. 20





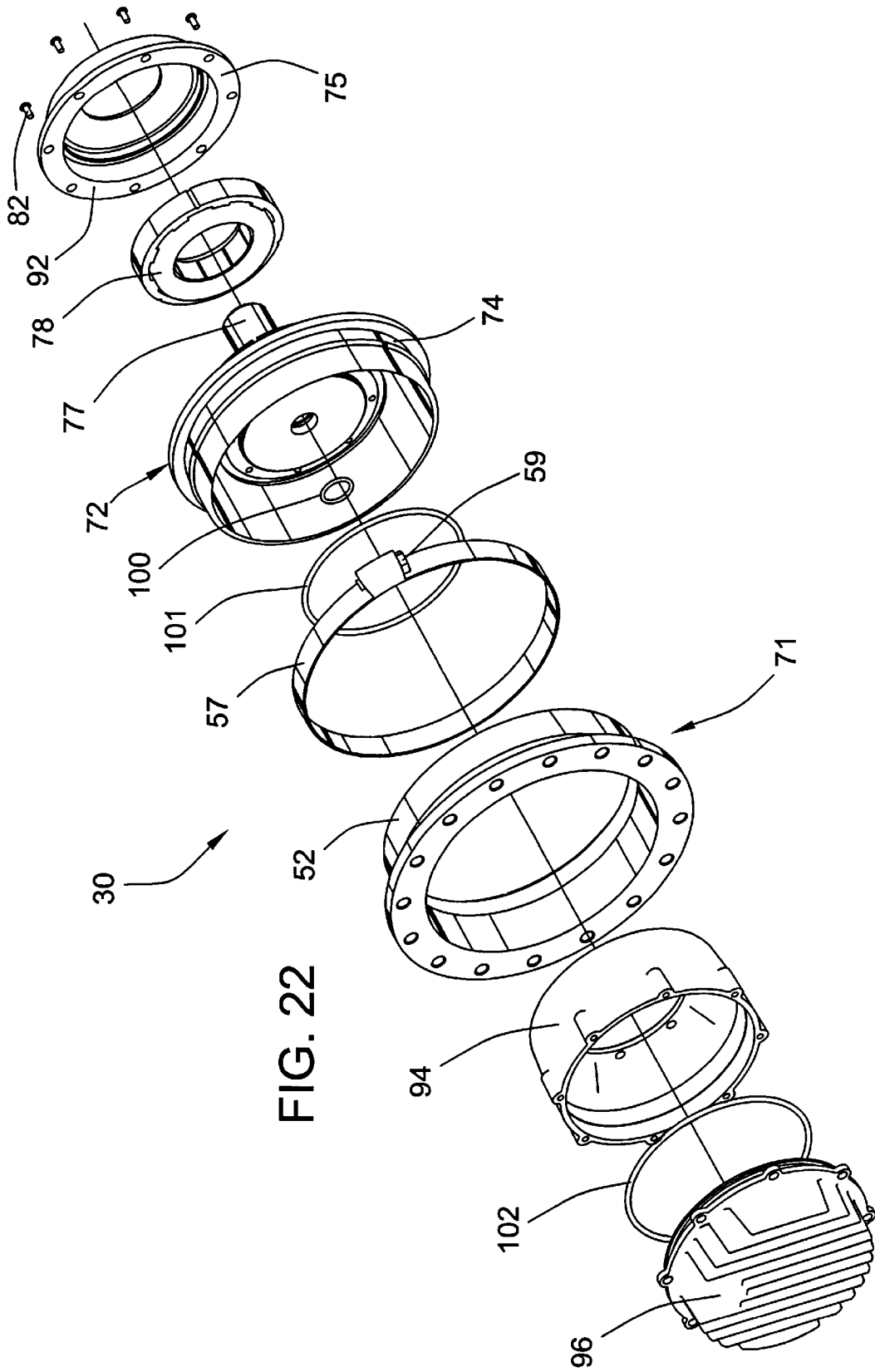


FIG. 22

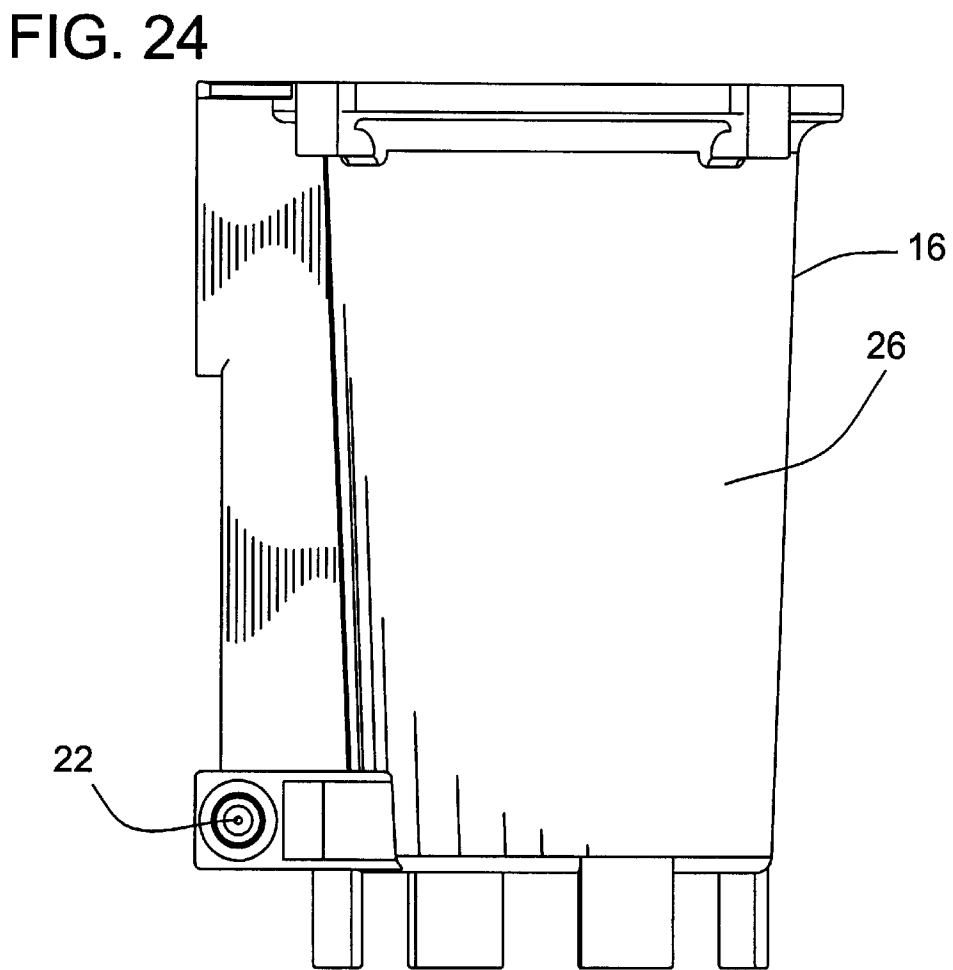
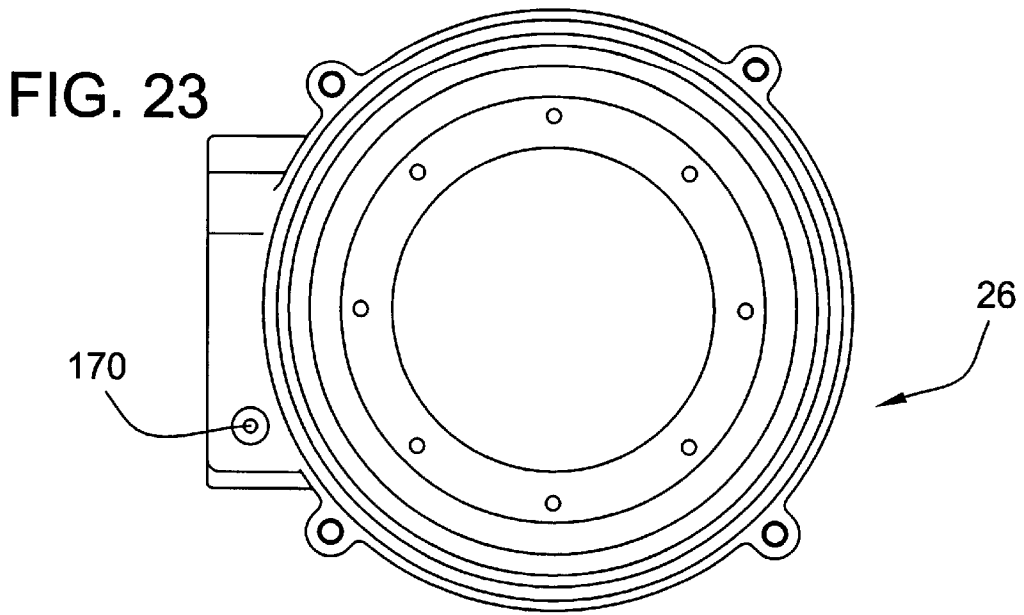
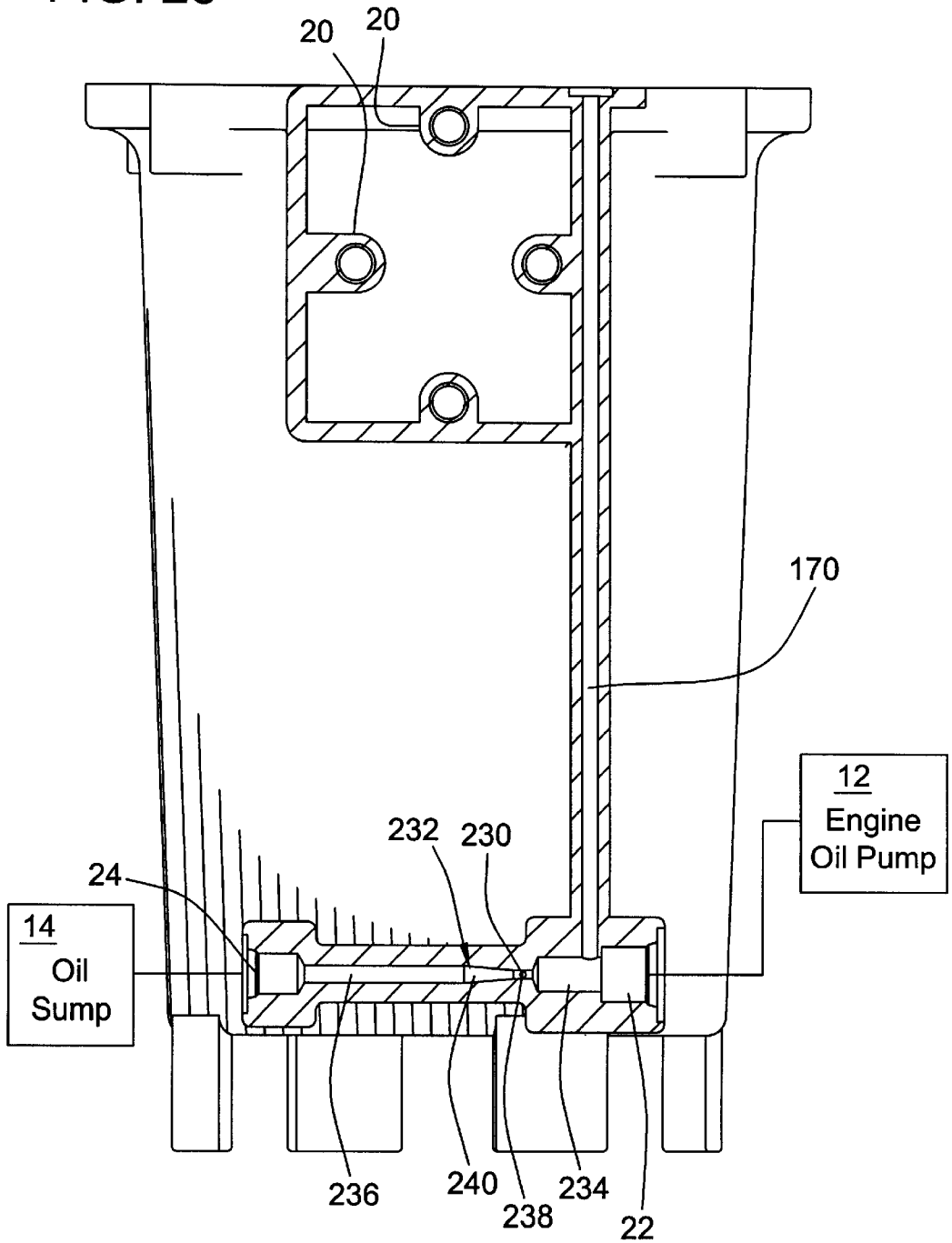


FIG. 25



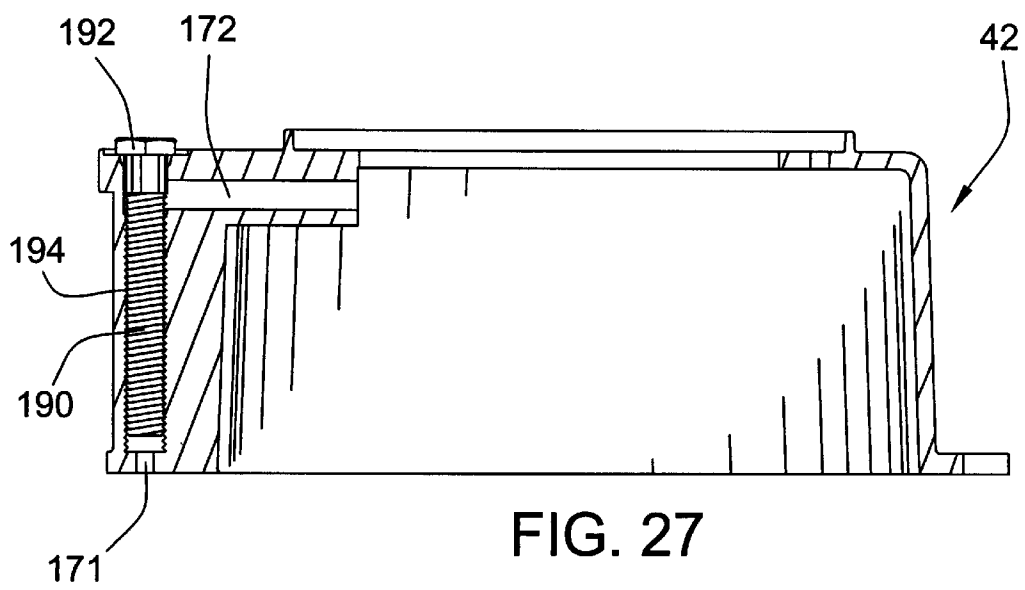
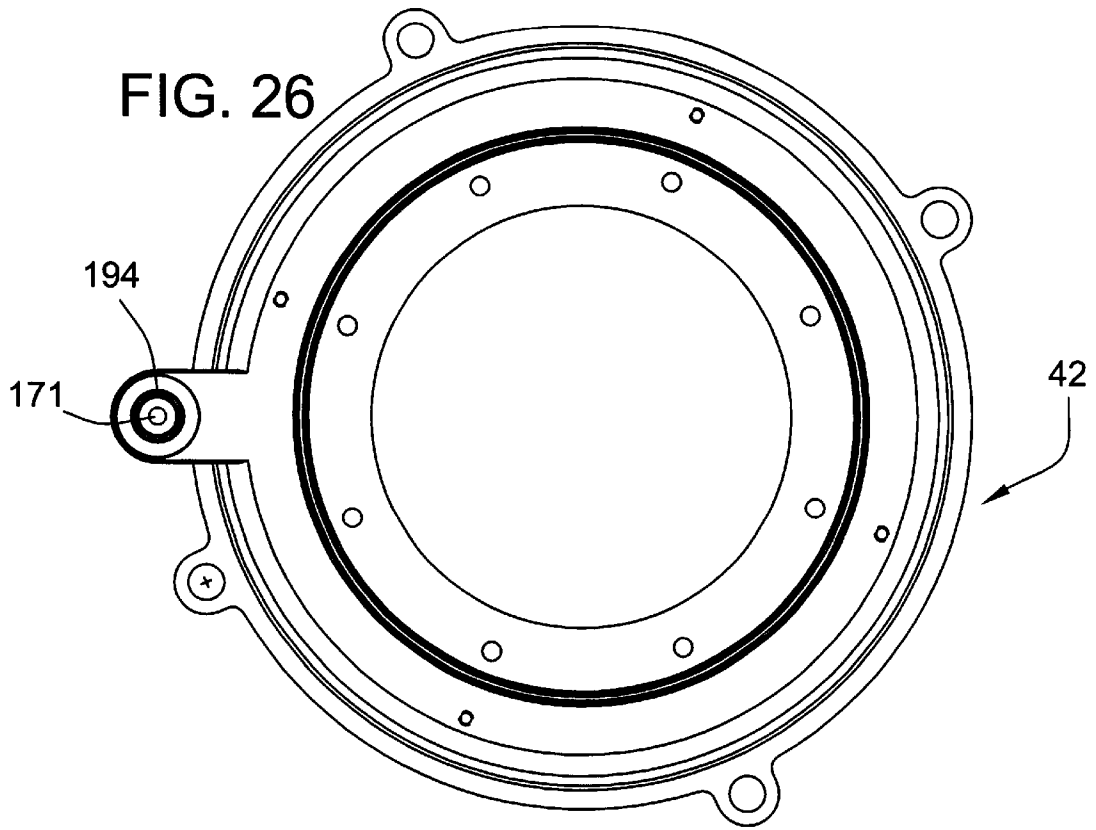
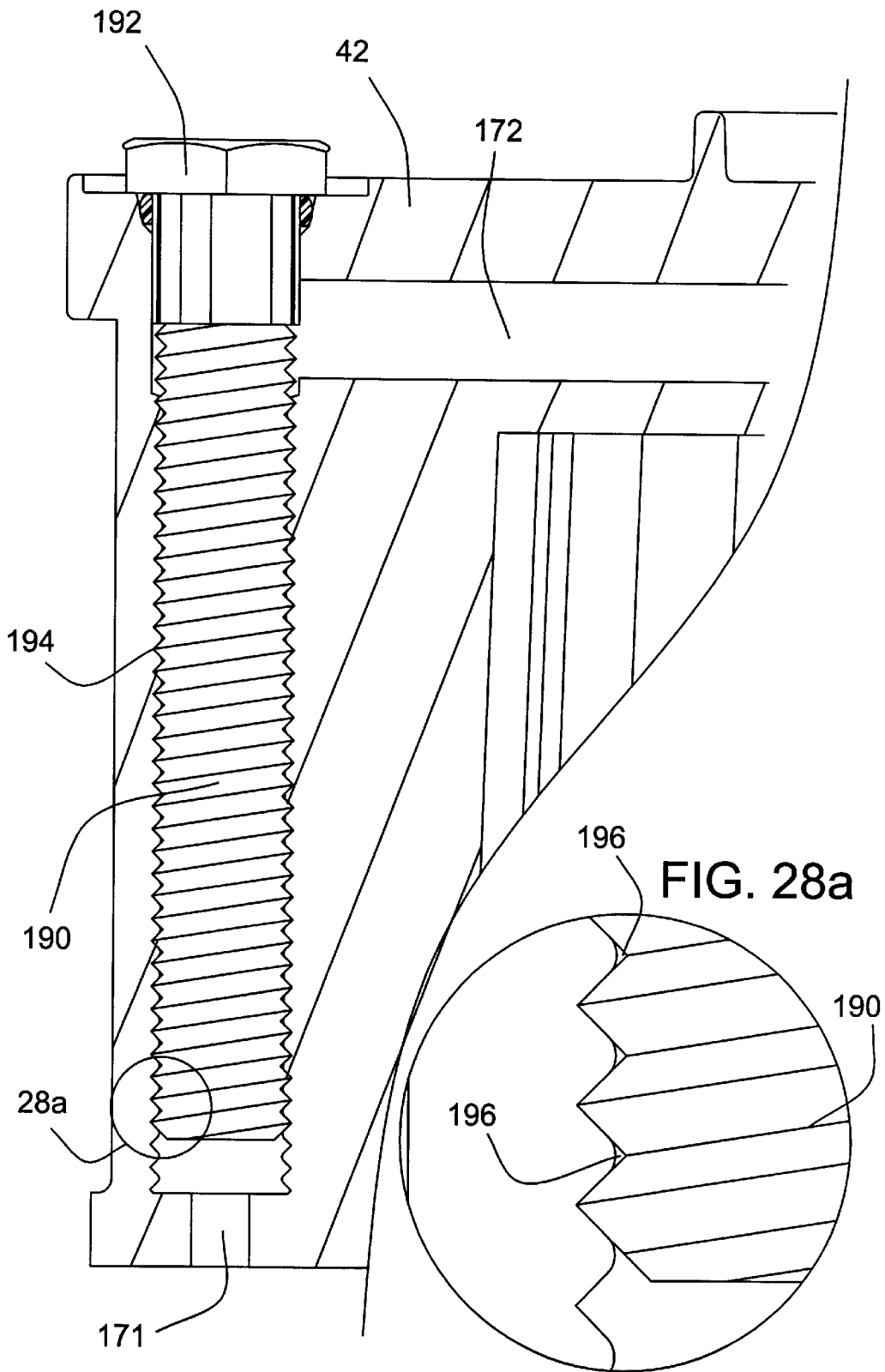
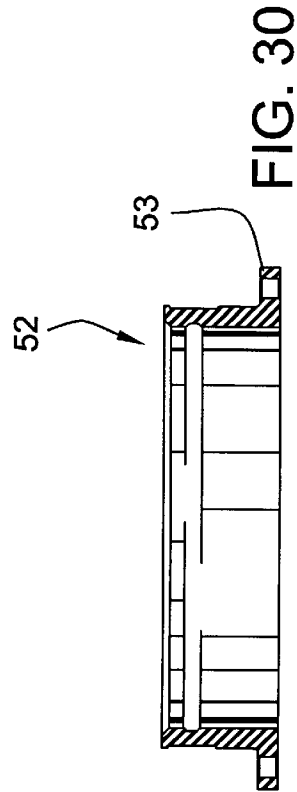
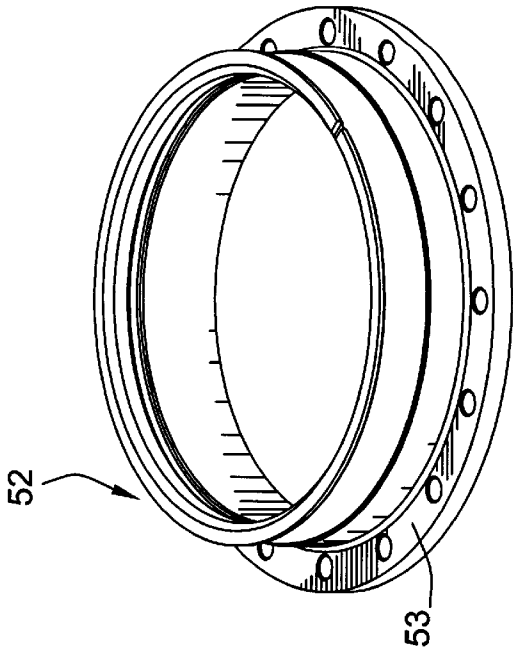
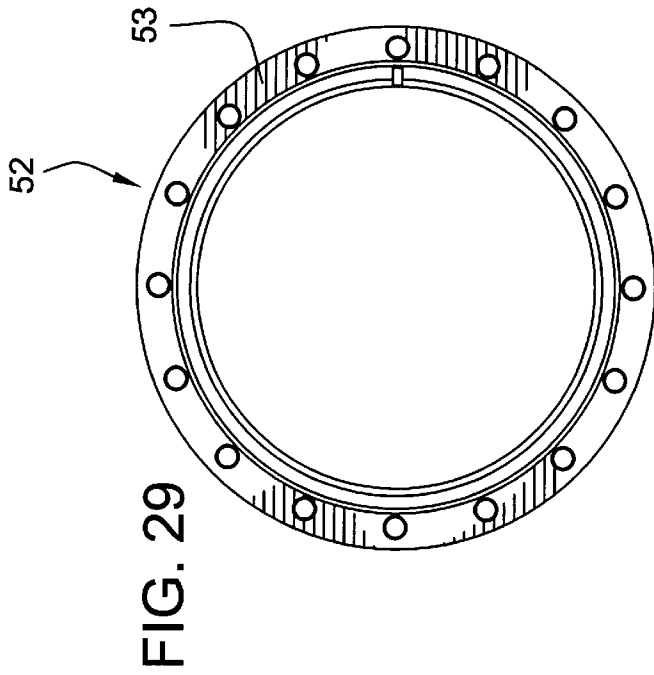


FIG. 28





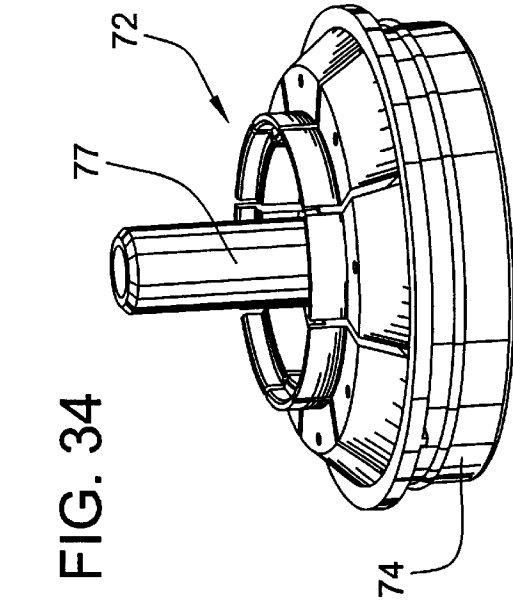


FIG. 34

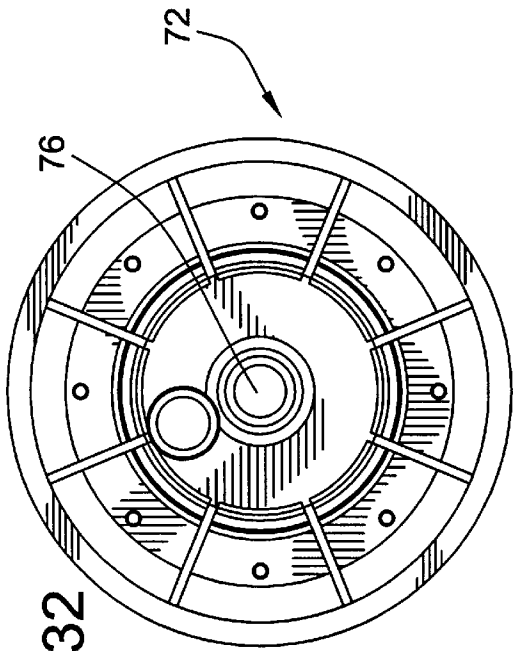


FIG. 32

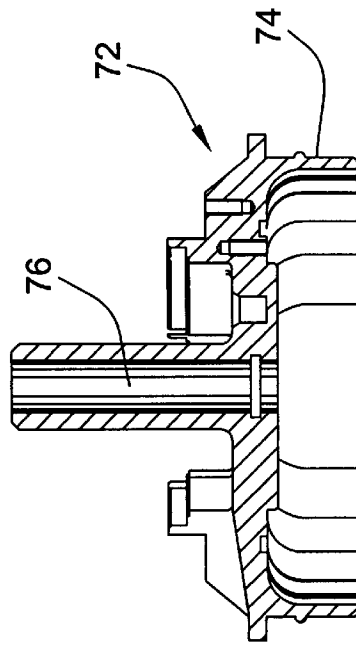


FIG. 33



FIG. 35

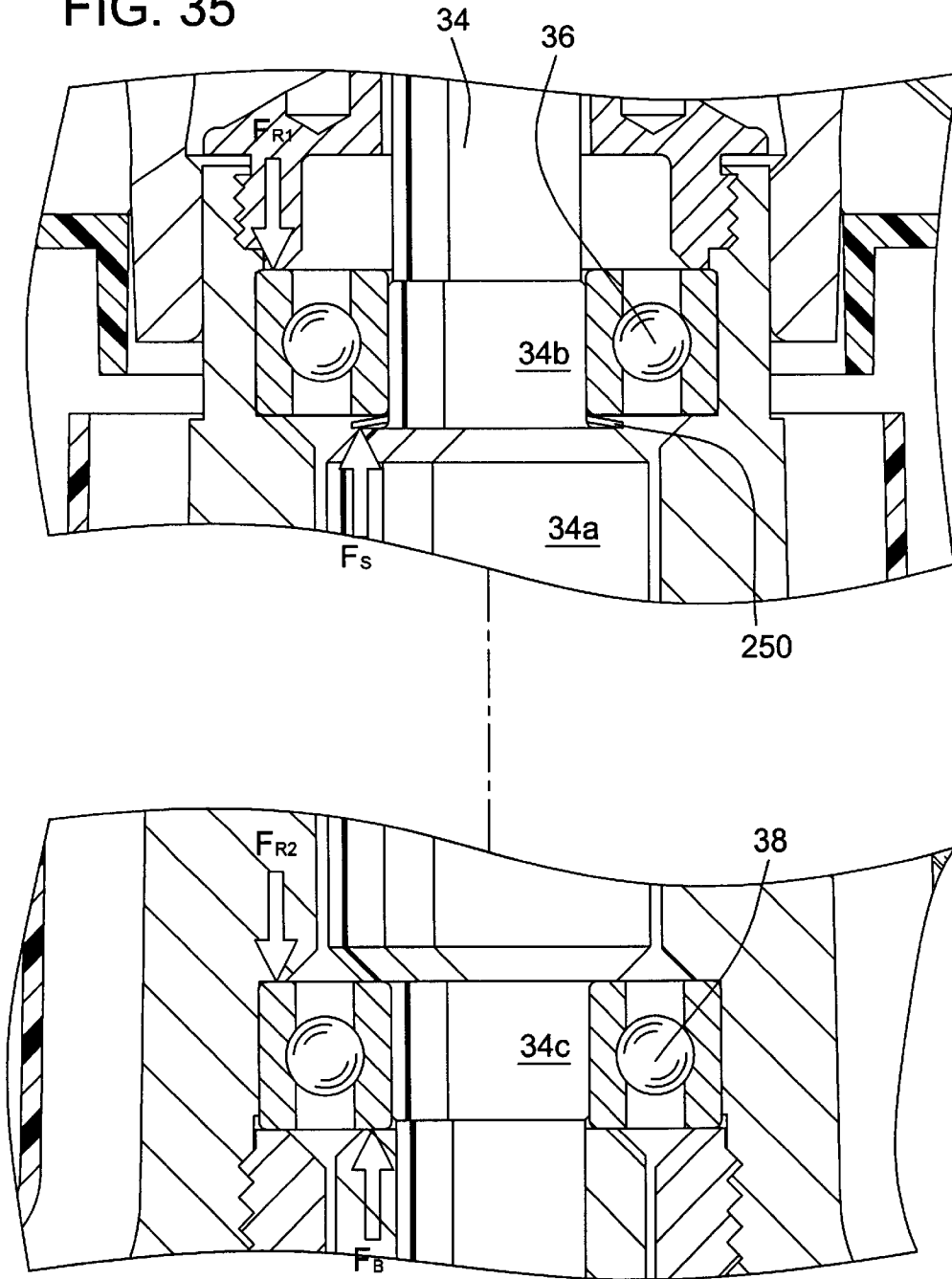
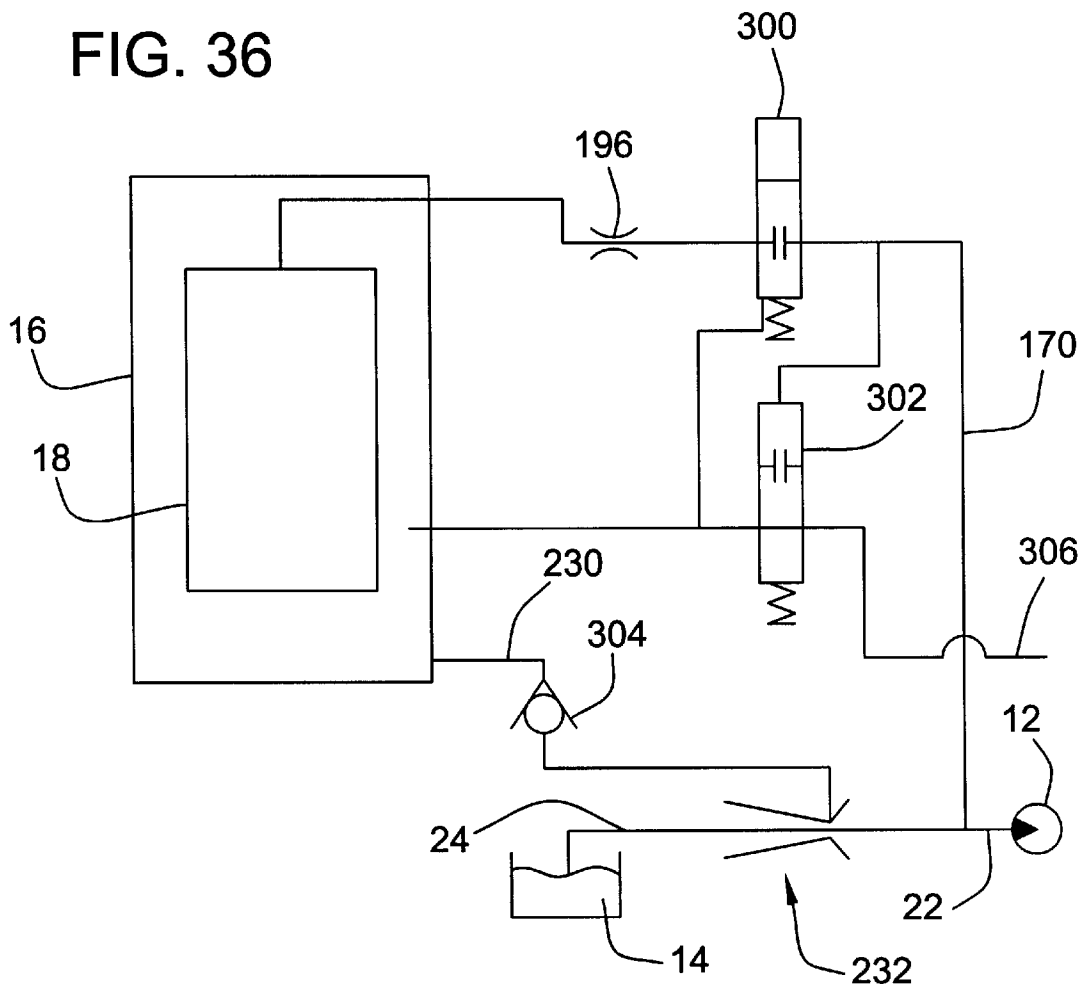


FIG. 36



## CENTRIFUGE CARTRIDGE FOR REMOVING SOOT FROM ENGINE OIL

### RELATED APPLICATIONS

This is a continuation-in-part patent application based upon U.S. Non-Provisional patent application Ser. No. 09/420,161, filed Oct. 18, 1999, now U.S. Pat. No. 6,261,455 issued on Jul. 17, 2001, and U.S. Non-Provisional patent application Ser. No. 09/420,162, filed Oct. 18, 1999, now U.S. Pat. No. 6,296,765 issued on Oct. 2, 2001, entitled "Centrifuge Cartridge for Removing Soot from Oil in Vehicle Engine Applications", and "Centrifuge Housing for Receiving Centrifuge Cartridge and Method of Removing Soot from Engine Oil", respectively, both of which claim the benefit of U.S. Provisional Application Serial No. 60/105,135, filed on Oct. 21, 1998; No. 60/112,231, filed on Dec. 15, 1998; and No. 60/141,465, filed on Jun. 29, 1999. The disclosure of each of the above identified provisional and non-provisional patent applications is hereby incorporated by reference in their entireties.

### FIELD OF THE INVENTION

The present invention generally relates to centrifugal separators and more particularly relates to centrifugal oil filters for engine and vehicle applications.

### BACKGROUND OF THE INVENTION

Current heavy-duty diesel engines put a moderate amount of soot (a form of unburned fuel) into the oil pan. This soot is generated due to the fuel hitting the cold cylinder walls and then being scraped down into the oil sump when the pistons reciprocate in the cylinders. Up until recently, the nitrous oxide emission regulations in the United States and other countries have been high enough that the fuel injection timing could be such that the level of soot generated was not high. In typical applications, the soot level would be under 1% (by weight) of the engine oil at oil drain time. At these low levels, soot in the oil does not cause any significant wear problems.

Recently, there has been a move to significantly lower nitrous oxide emissions which requires much retarded fuel injection timing, which significantly increases the amount of soot being generated. At reasonable oil drain intervals, the soot level may be as high as 4 or 5% with retarded injection timing. When the soot level gets this high, lubrication at critical wear points on the engine becomes so poor that high wear results, significantly decreasing the miles to overhaul and causing high operator expense.

Thus, the engine manufacturer has two choices, suffer very high warranty costs and low miles to overhaul, or significantly lower oil drain intervals to keep high soot levels out of the oil. Neither of these choices is desirable, so there is a current strong need to have a means of getting the soot out of the oil, the subject of this invention.

A problem with removing the soot from oil is that it is very small in size—around 0.1 to 2.0 micrometers. To remove such small particles from oil using barrier filtration is not feasible due to the large filter size required and the very high probability that the filter will become plugged very rapidly due to trying to filter to such a fine level.

One way that is feasible to remove the soot from the oil is by using a centrifuge, a device that removes the soot from the oil using centrifugal force. This type of device is used to separate blood constituents from blood and has many other applications in typical laboratory applications. The use of a

centrifuge for an engine brings a requirement of doing it in a very inexpensive and reliable manner with the centrifuge being easily changed at oil change time. Heretofore, centrifugal filters have not been able to sufficiently remove soot from oil, sufficiently retain the soot, nor reliable enough for use in engine and vehicle applications.

### SUMMARY OF THE INVENTION

It is an objective of the present invention to provide a reliable and practical apparatus for removing soot from oil in engine applications.

The present invention is directed toward a novel centrifuge cartridge having several aspects beneficial for filtering soot from oil or contaminants from other fluid. The centrifuge cartridge is adapted to be rotated in a centrifuge housing about a predetermined axis for filtering fluid.

According to one aspect, the present invention is directed toward a centrifuge cartridge that prevents wave formation in the spinning oil contained within the cartridge during centrifugal filtering. According to this aspect, the cartridge includes a shell surrounding the predetermined axis defining an internal filter chamber. The filter chamber includes a plurality of radial partition walls for preventing wave formation in the fluid. Each partition wall extends radially inwardly from the shell toward the predetermined axis. The partition walls are radially spaced about the predetermined axis and divide the filter chamber into separate filter sections at different respective radial locations about the predetermined axis.

According to another aspect, the present invention is directed toward a novel centrifuge cartridge that has a long winding flow path which may maintain a long average residence time for substantially all oil in the cartridge and which may prevent short circuiting of oil. According to this aspect, the centrifuge cartridge includes a cup shaped shell including inner and outer walls surrounding a predetermined axis that are joined at the bottom. A filter chamber is defined between inner and outer shell walls. The filter chamber has an entrance for receiving unfiltered fluid and an exit for returning filtered fluid. To provide the long winding flow path, an intermediate annular wall surrounding the predetermined axis is arranged between the inner and outer walls to divide the filter chamber into first and second flow paths. The separate flow paths are adapted to communicate fluid in opposite axial directions. The flow paths are joined in proximity to an axial end of the centrifuge cartridge. One flow path is defined between the intermediate annular wall and inner wall. The other flow path is defined between the intermediate annular wall and the outer wall.

According to yet another aspect of the present invention, the present invention is directed toward a novel centrifuge cartridge in which unfiltered oil enters through top end and filtered oil exits through a bottom end, and which oil is retained in the cartridge when idle and not allowed to leak out. According to this aspect, the centrifuge cartridge includes a cup shaped shell having inner and outer walls extending axially and surrounding the predetermined axis. The inner and outer walls are joined at their bottom. A filter chamber is defined between inner and outer walls. The filter chamber has a fluid exit for outputting filtered fluid and an annular fluid entrance adapted to receive unfiltered fluid through a top end of the of the centrifuge cartridge. The inlet is coaxial about the predetermined axis at a location between the inner and outer walls. The exit is also proximate the top end of the cartridge but is connected to the bottom of the cartridge by an outlet conduit surface formed along the

inside peripheral surface of the inner wall. The inner peripheral surface extending axially downward to provide for an outlet port exiting through a bottom end of the cartridge.

According to yet another aspect of the present invention, the present invention is directed toward a novel centrifuge cartridge in which oil enters through an exposed annular inlet of the cartridge through gravity from a stationary source offset from the axis of rotation. According to this aspect, the centrifuge cartridge comprises a cup shaped shell having inner and outer walls extending axially and surrounding the predetermined axis. The inner and outer walls of the shell are joined at their bottom. The cartridge also includes a lid secured to a top end of the shell. An annular inlet is provided vertically through the lid and coaxial about the predetermined axis for receiving unfiltered oil at a location offset from the predetermined axis. The annular inlet feeds unfiltered fluid to a filter chamber defined between inner and outer walls. The filter chamber has an exit located radially inward of the annular inlet and in proximity to a top end of the filter chamber such that substantially all fluid contained in the cartridge during rotation is retained in the filter chamber when the cartridge is idle.

Other objectives and advantages of the invention will become more apparent from the following detailed description when taken in conjunction with the accompanying drawings.

#### BRIEF DESCRIPTION OF THE DRAWINGS

The accompanying drawings incorporated in and forming a part of the specification illustrate several aspects of the present invention, and together with the description serve to explain the principles of the invention. In the drawings:

FIG. 1 is a cross section of a centrifuge filter including a centrifuge housing and a centrifuge cartridge for removing soot from oil according to a preferred embodiment of the present invention.

FIG. 2 is a cross-section of the cartridge housing shown in FIG. 1, with the cartridge removed.

FIG. 3 is a cross section of the rotor as shown in FIG. 1.

FIG. 4 is a cross section of the disposable and replaceable centrifuge cartridge shown in FIG. 2 with arrows indicating flow paths through the cartridge.

FIG. 5 is an enlarged fragmented view of a top portion of FIG. 1 with a portion being fragmented to better illustrate the oil flow path.

FIG. 6 is an enlarged fragmented view of a bottom portion of FIG. 1.

FIG. 7 is an isometric exploded assembly view of the disposable centrifuge cartridge shown previously in FIG. 4.

FIG. 8 is an isometric exploded assembly view of the rotor including the centrifuge cartridge casing along with the disposable centrifuge cartridge shown previously in FIGS. 3 and 4.

FIGS. 9–13 are bottom, cross section, side, top, and isometric views of the top end cap of the disposable centrifuge cartridge, respectively. (FIG. 10 taken about line 10–10)

FIGS. 14–16 are end, cross section, and isometric views of the inserted trap of the disposable centrifuge cartridge, respectively. (FIG. 15 taken about line 15–15)

FIGS. 17–19 are top end, cross section, and bottom end views of the cartridge shell of the disposable centrifuge cartridge, respectively. (FIG. 18 taken about line 18–18)

FIG. 20 is an isometric exploded assembly view of the centrifuge assembly for the centrifuge shown in FIG. 1.

FIG. 21 is an isometric exploded assembly view of the lid assembly for enclosing the top end of the centrifuge housing shown in FIG. 2.

FIG. 22 is an isometric exploded assembly view of the motor mount assembly for enclosing the bottom end of the centrifuge housing shown in FIG. 2.

FIG. 23 is a top end view of the primary support body of the centrifuge housing shown in FIG. 2.

FIG. 24 is a side view of FIG. 23.

FIG. 25 is a cross section of FIG. 24 shown schematically connected with the oil pump and oil sump of an engine.

FIG. 26 is a top end view of the lid adapted to mount to support body of the centrifuge housing.

FIG. 27 is a cross section of FIG. 26, illustrated with the restriction plug inserted.

FIG. 28 is an enlarged fragmentary view of FIG. 27.

FIG. 28a is an enlarged view of a portion of FIG. 28.

FIGS. 29–31 are top, cross section, and isometric views of a vibration isolator used in the centrifuge housing, respectively.

FIGS. 32–34 are top, cross section and isometric views of the motor and shaft mount of the centrifuge housing, respectively.

FIG. 35 is an enlarged fragmentary view of a portion of the centrifuge schematically illustrating the loads on the bearings.

FIG. 36 is a schematic view of valving that may be used with the centrifuge to control venting and partial vacuum of the rotor chamber.

While the invention will be described in connection with certain preferred embodiments, there is no intent to limit it to those embodiments. On the contrary, the intent is to cover all alternatives, modifications and equivalents as included within the spirit and scope of the invention as defined by the appended claims.

#### DETAILED DESCRIPTION OF THE PREFERRED EMBODIMENT

For purposes of illustration, a preferred embodiment of the present invention has been illustrated as a centrifuge 10 adapted to separate soot from engine oil utilizing centrifugal force. Although the particular centrifuge 10 is illustrated for soot removing applications for vehicles, it should be understood that there may be other applications for certain aspects of invention and as such, attention should be had to the appended claims to determine the patent coverage afforded hereby. Referring to FIG. 1, the centrifuge 10 includes a stationary centrifuge housing 16 supporting a rotor 18 for rotation about a predetermined axis 19. The centrifuge housing 16 includes a mount 20 that is adapted to mount and fix the centrifuge 10 to the vehicle frame or engine of the vehicle. When mounted to a vehicle and connected to the engine thereof as schematically indicated in FIG. 25, the centrifuge housing 16 includes an inlet port 22 connected to the engine oil pump 12 to receive pressurized oil and an outlet port 24 connected the engine oil sump 14 for return of oil. The centrifuge housing 16 is operable to feed unfiltered oil into the rotor 18, collect filtered oil from the rotor 18 and return the collected filtered oil. The rotor 18 is generally that portion of the centrifuge 10 that rotates to facilitate soot separation from oil. In the preferred embodiment, the rotor 18 includes a reusable support casing 21 structurally comprised of die cast aluminum and a disposable plastic cartridge 23 inserted inside the casing 21 for trapping contaminant for removal.

Referring to FIGS. 2, 5-6, the centrifuge housing 16 includes a hollow or tubular primary support body 26 formed of die cast aluminum having threaded projecting bosses 20 to facilitate mounting of the centrifuge 10 to a vehicle frame, a lid assembly 28 enclosing a top end of the support body 26, and a motor mount assembly 30 enclosing a bottom end of the support body 26. The support body 26 in combination with the lid assembly 28 and the motor mount assembly 30 define an internal rotor chamber 32 in which the rotor 18 is mounted for rotation. To support the rotor 18 for rotation, the centrifuge housing 16 includes a bearing support element which may take the form of a vertically upright support shaft 34 aligned with the predetermined axis 19 of rotation, and upper and lower bearing sets 36, 38. The support shaft 34 includes a larger diameter central portion 34a, and smaller diameter end portions 34b, 34c. The intersection between the larger diameter central portion 34a, and smaller diameter end portions 34b, 34c provides bearing support shoulders which support the inner races of the bearing sets 36, 38 axially. The support shaft 34 also includes a threaded end 34d onto which a nut 40 is fastened to axially secure the shaft 34 to the motor mount assembly 30.

Referring to FIGS. 5 and 21, the lid assembly 28 includes a generally cylindrical to slightly conical lid base 42 formed of die cast aluminum fastened to the support body 26 along mating flanges in a removable manner via threaded shoulder bolts 46 (FIG. 20). An o-ring gasket 44 provides a seal between the mating flanges and serves the purpose of isolating the rotor chamber 32 from the external environment. The top of the lid base 42 includes a radially inward projecting support flange 48 that supports a formed sheet metal lid cover 50 and an upper vibration isolator 49 in the form of a generally cylindrical, resilient, rubber ring 52. The vibration isolator 49 supports a top bracket 54 and therefore ultimately supports the support shaft 34. The rubber ring 52 includes a peripheral flange portion 53 clamped to the support flange 48 (see also FIGS. 29-31). The clamp for the rubber ring includes a retainer ring 55 and screws 51 to provide the clamping force sandwiching the peripheral flange portion 53 between the retainer ring 55 and support flange 48. The top bracket 54 includes a cylinder portion 56 secured to the rubber ring 52 by an expandable and retractable ring shaped metal hose clamp 57 tightened by fastener 59. It is an advantage that the retainer ring 55 and the hose clamp 57 eliminate the need to vulcanize the rubber resilient material to any particular metal part, thereby improving reliability as this configuration eliminates the possibility of metal and rubber separation. Because the rubber ring is clamped all of the way around and includes no apertures when clamped, it also provides a seal, although a ring gasket or other seal could also be provided between the lid cover 50 and lid base 42. The top bracket 54 also includes a central axially extending hub portion 58 defining a cylindrical cavity 60 closely dimensioned to the outer end diameter of the support shaft 34 for radial support of the support shaft 34. The cylindrical cavity 60 slidably receives the top end 34b of the support shaft. The entire lid assembly 28 is removable by unfastening the threaded bolts 46 and pulling the assembly vertically upward to slid the hub portion 58 off of the top end of the support shaft 34.

Referring to FIGS. 6 and 22, the motor mount assembly 30 also includes a lower vibration isolator 71 which is identical to that used in the upper lid assembly 28, including a resilient rubber ring 52, a rigid retainer ring 55 and screws 51. In this case, the flange portion 53 of the rubber ring is clamped to a bottom radial lip 70 of the primary support

body 26. The rubber ring 52 is also clamped via a hose clamp 57 with a fastener 59 to a rigid motor mount 72 along a cylindrical portion 74 of the motor mount 72. Further structural details of the motor mount 72 can be seen with reference to FIGS. 32-34. The motor mount 72 includes an axially extending central hub portion 77 defining a central bore 76. The support shaft 34 extends through and is radially supported by the bore 76. A tightened nut 40 axially retains the threaded end 34d of the support shaft 34 to the motor mount 72. The tip end of the motor mount hub portion 77 axially supports and retains the inner race of the lower bearing set 38.

The motor mount 72 provides the bottom bracket which in combination with a top motor bracket 75 secure the stator of an electric motor 80, namely, the stationary lamination stack 78 (including coils and laminations). The top motor bracket 75 is fastened to the motor mount 72 via screws 82 to hold the lamination stack 78 in an annular or cylindrical recess 84 formed by the joined combination of the motor mount 72 and top motor bracket 75. The electric motor 80 is preferably of the DC brushless type and is powered via the electrical supply of the vehicle. The rotor of the motor 80 comprises a drive sleeve 86 holding a magnet 88. The drive sleeve 86 may be fastened via a threaded connection 90 or otherwise secured to the centrifuge support casing 21. The drive sleeve 86 is concentric about the support shaft 34 and motor mount hub portion 77 with sufficient clearance such that it does not contact or engage the hub portion 77 during rotation. The drive sleeve 86 also extends through a center clearance opening 92 in top motor bracket 75 to include a upper portion that mechanically connects with the support casing 21 and a upper portion that positions the permanent magnet 88 relative to the stator of the motor 80 such that the magnet 88 and drive sleeve 86 are driven and in turn drive the rotor 18.

The bottom side of the motor mount 72 also carries a heat sink including a dissipater plate mount 94 and dissipater plate 96, both of heat conductive metal material for the dissipation of heat from the electric motor and electronics. The combination of the dissipater plate mount 94 and dissipater plate 96 also define an electronics chamber 98 in which the signal conditioning electronics can or may be mounted for driving the electric motor 80. O-ring gaskets 100, 101, 102 are arranged between different pieces of the motor mount assembly 30 to provide a seal and prevent contaminants from entering the electronics chamber 98. The gasket indicated at reference number 100 also serves the purpose of isolating the rotor chamber 32 from the external environment. Like the upper vibration isolator 49, the lower vibration isolator 71 may also be clamped in manner to likewise provide a seal that also serves the purpose of isolating the internal environment of the rotor chamber 32.

Referring again to FIG. 1, the centrifuge support casing 21 of the rotor 18 is directly supported by the outer races of the upper and lower bearing sets 36, 38. Referring to FIGS. 3 and 8, the centrifuge support casing 21 includes a can or support bowl 114 and a removable lid 116 fastened via threaded shoulder bolts 117 or otherwise secured in a removable manner to the top end of the support bowl 114. The support bowl 114 is substantially permanently mounted in the centrifuge housing 16 such that it is not removed during normal maintenance intervals when the disposable plastic cartridge 23 is replaced. However, it can be removed if necessary. The support bowl 114 is formed of die cast aluminum or other appropriate material of sufficient strength to support the plastic cartridge 23 full of oil during operational rotation. The support bowl 114 includes a generally

cylindrical support wall **118** and a central support tube **120** integrally joined by cup shaped annular base portion **122**. It should be noted the outer support wall **118** has a slight draft on it to facilitate easy sliding of the cartridge **23** into and out of the casing **21**. At this point it will be understood that the term “generally cylindrical” as used herein is intended a broad meaning and throughout this disclosure is meant to include such slight drafts, conical and other similar elongated annular configurations. The support bowl **114** also includes pressure relief/drain holes **124** at strategic locations to prevent installation difficulties or improper installation due to pressure differentials that would otherwise be caused by the close fit between the support bowl **114** and the plastic cartridge **23** during insertion and removal of the plastic cartridge **23**. The holes **124** also allow oil to drain to prevent particles from collecting on the inner wall of the support bowl **114**.

The central support tube **120** has a larger inner diameter than the outer diameter of the stationary support shaft **34** so as not to contact that stationary element during rotation. The central support tube **120** has a central bore **125** for receiving the shaft **34** and recessed sections **126** on its inner periphery upon which the outer races of the upper and lower bearing sets **36**, **38**. The shoulders **128** at the inside edge of the recessed sections **126** serve to axially retain the rotor **18**. A flow diverter **130** is screwed into the center support tube **120** at its top end and engages the upper bearing set **36** to also axially retain the rotor **18**. The magnet holder or drive sleeve **86** is threaded into the center support tube **120** or otherwise fixed thereto at its lower end and engages the lower bearing set **38** also for axial retention purposes.

Turning now to FIGS. 4, 7 (and FIGS. 9–19 for certain individual components), attention will be had to the disposable plastic cartridge **23** which is periodically replaced. Although a structurally plastic cartridge **23** is desired for purposes of easy and inexpensive manufacture, disposal and incineration, it will be appreciated that the cartridge **23** could also be formed of other materials such sheet metal or die cast aluminum or a combination of metal and plastic materials if desired. In the preferred embodiment, the plastic cartridge **23** is comprised of five separate plastic components secured together including a bowl liner or cup shaped shell **150**, a trap **152** and a top end cap **154**, a weld ring **136** and a lid **134** that includes flow dividing fins **206**. The cartridge **23** also may include a radial seal gasket **138** which eliminates the need to seal the outer metal support casing **21**.

The plastic shell **150** of the cartridge **23** includes a generally cylindrical outer wall **156** closely dimensioned in diameter and configured to the inner peripheral surface of the outer support wall **118** of the cartridge support casing **21**. The shell **150** also includes a generally cylindrical inner wall **157** generally concentric inside of the outer wall **156**. The inner wall **157** is integrally joined to the outer wall **156** through a bottom end **158** (which is also closely configured to the inside surface of the support base portion **122**). In this manner, the cup shaped shell **150** is adapted to hold oil or other liquid for filtering between outer and inner walls **156**, **157**. A matrix of axially projecting retaining ribs **160** are formed into the bottom end **158** (similar ribs are formed into the top end cap). The retaining ribs **160** are adapted to engage and mechanically secure the trap **152** at the bottom end of the cartridge **23**.

At the top end, the trap **152** may be glued or potted into the top end cap **154** to ensure that oil must travel to the bottom of the trap **152**. Referring to the trap **152** in greater detail, it can be seen that it may include at least one and preferably two or more generally cylindrical partition walls

**162** coaxial about the central predetermined axis **19** and a plurality of radial partition walls **164** extending radially inward toward the predetermined axis and through the cylindrical partition walls **162**. The cylindrical and radial partition walls **162**, **164** serve the purpose of preventing wave formation as will be described in further detail below and divide the interior of the centrifuge cartridge element into separate sections or flow channels **166**.

The top end of the cartridge **23** is enclosed by a lid **134**. The lid **134** has a central opening to provide clearance for the support shaft **34** and to allow entrance of oil through annular cartridge inlet **198**. The top surface of the cartridge lid **134** is closely configured to the bottom surface of the removable lid **116** so that there large surface area contact between the two during operation so that the plastic material of the plastic lid **134** is supported by the metal material in the removable lid **116**. A weld ring **136** is spun weld onto the top edge of the plastic shell **150** forming a melted plastic bond therebetween. The weld ring **136** retains the lid **134** axially to the rest of the cartridge **23** but allows the lid to slide a bit axially and allow for axial expansion of the cartridge **23** during operation. The lid **134** carries a radial seal gasket **138** via hooked lip portion **140** that seals against an inner free edge **142** of the plastic shell **150**. The lid **134** may also include partition fins **206** which serve to divide oil entering the annular cartridge inlet **198** and support the top end cap **150**.

Now that details of the structure of the centrifuge **10** has been had for a working understanding, detail will now be directed toward how oil enters, flows through and exits the centrifuge **10**. Particular reference can be had to FIGS. 5, 21, 23, 24, 25, 26, 27, 28, and 28a. As previously indicated, the housing **16** receives oil from the engine through the external inlet port **22** on the support body **26**. The oil travels through an inlet conduit into the filter housing and is feed into the centrifuge cartridge through a side oil outlet **168** provided by the top bracket **54** at a point offset from the predetermined axis **19** of rotation, such that oil need not flow through the support shaft **34**. To convey the fluid to the side oil outlet **168**, the connecting conduit in preferred embodiment includes an axially extending passage **170** in the support body **26**, an axially extending passage **171** in the lid base **42**, a radially inward extending passage **172** in the lid base **42**, a hose fitting **174** securely fastened to the lid base **42**, a flexible hose **175** connecting the hose fitting **174** to a hose fitting **176** that is securely fastened to the top bracket **54**, and intersecting radially inward and axial passages **177** in the top bracket **54**.

It is an aspect of the present invention according to a preferred embodiment that inlet conduit includes a metering device or restriction in the form of a restriction plug **190** that controls the flow rate and reduces the pressure of oil entering the rotor **18**, as is shown in FIGS. 5, 27, 28 and 28a. In the preferred embodiment the restriction plug **190** takes the form of a threaded bolt **192** that is threaded into oversized threads of a hole **194** tapped into the lid base **42** along its axial passage **171**. This provides a restriction orifice in the form of a helical restriction passage **196** having a flow area smaller than the either the side oil outlet **168** or the inlet port **22**. The effect of the restriction passage **196** is to restrict the oil and primarily to control the flow rate of oil into the rotor **18** and secondarily to reduce its pressure at the side oil outlet **168**. Another feature using a threaded bolt **192** as the restriction plug is that it is modular and can be easily changed or adapted to match the bolt **192** to the particular application due to differences in oil pressures from the various types and sizes of engines and oil pumps in the

marketplace. In particular, this matching is accomplished during initial assembly once the desired application is known by selecting the bolt **192** from a plurality of bolts having different radial threading depths or sizes to thereby select the effect flow area of the helical restriction passage **196** matched to oil system pressure. By controlling the flow rate of oil into the rotor **18**, an effective residence time for oil inside the centrifuge cartridge can be set to optimize the ability of the centrifuge **10** to separate soot from oil. It has been found that current residence times of about 8 to 10 minutes are desirable for soot removal applications. Although shorter times may be possible if centrifugal force is increased.

It is another aspect of the present invention according to a preferred embodiment that the side oil outlet **168** feeds oil into the centrifuge cartridge at a distance offset from the predetermined axis **19** through an annular inlet **198** in the top end of the cartridge **23**. The annular inlet **198** is coaxial about the predetermined axis and positioned underneath the side oil outlet so that the oil is received into the centrifuge cartridge at all angular positions of the cartridge **18**. The side oil outlet **168** is also not physically connected or in contact with the centrifuge cartridge such that the side oil outlet **168** is exposed and there is no resistance to oil flowing into the rotor **18** from the spinning oil in the rotor **18**. Flow through the annular inlet **198** eliminates the need for flow passages through the support shaft **34** thereby greatly simplifying construction of the housing.

It is another aspect that the vibration isolators **49**, **71** serve the function of reducing the effect of engine vibrations and vehicle induced shock loads on the rotating element in the centrifuge housing **16** and likewise vibrations from the rotor **18** to the vehicle. The vibration isolators **49**, **71** are made of resilient rubber material in a preferred embodiment and allow for relative radial and slight axial movement between the rotor **18** and the centrifuge housing **16**. Importantly, the vibration isolators carry the bearing support element which takes the form of the support shaft **34** to ensure that these impact loads are not applied to the upper and lower bearing sets **36**, **38**. This has the advantage of vastly improving reliability and life span of these bearing sets **36**, **38** and therefore the centrifuge **10**. The lower vibration isolator **71** also carries the electric motor **80** and associated electronics which also improves reliability and lifespan of the centrifuge **10**. The flexible hose **175** allows for relative movement between the top bracket **54** and the lid base **42** while maintaining the oil connection or path to the side oil outlet **168**. To ensure that the rotating cartridge **18** does not contact any fixed component or crash against the inside surface of the outer support body **26**, the allowed movement of the upper and lower vibration isolators **49**, **71** are snubbed by mechanical stops. These mechanical stops are provided by the inside surfaces **202** of the retaining rings which are conical. The inside surface **202** for the top vibration isolator **49** engages the rigid outer periphery of the rigid top bracket **54** (through the intermediate rubber ring **52**) to limit radial movement of the top bracket and elements supported thereby. Likewise, the inside surface **202** for the lower vibration isolator **49** engages the outer periphery of the rigid motor mount **72** (again through the intermediate rubber ring **52**) to limit radial movement of the motor mount and elements supported thereby.

It is a further aspect of the present invention according to a preferred embodiment that the side oil outlet **168** is movable relative to the support body **26** through the provision of the upper and lower vibration isolators **49**, **71**. Because the top bracket **54** is mounted in the top vibration

isolator **49** for supporting the rotor **18**, the top bracket **54** and the centrifuge housing **18** move in unison relative to the support body **26** that may be caused by engine vibrations and vehicle induced shock loads. This arrangement assures proper alignment between the side oil outlet **168** and the annular inlet **198** so that there is no spillage of oil to the exterior of the cartridge **18**.

Once the oil has entered the rotor **18** it is spun radially outward through centrifugal force and enters the disposable plastic cartridge **23** through the plastic lid **134** (between fins **206**) and enters the filtering chamber **205** through entrance ports **204** in the top end cap **154**. The flow diverter **130** has a conical top face which initially guides the oil radially outwardly and prevents oil from washing away the initial grease packing of the upper bearing set **36**. The outer ring of entrance ports **204a** feeds unfiltered oil into the outer flow channels **164b**, while the inner ring of entrance ports **204b** feeds unfiltered oil into the internal filter chamber **205** of the cartridge **23**, and specifically, the inner flow channels **164a**. It is anticipated that over time, agglomerated soot will completely fill up the outer flow channels **164b** at which time only the inner circle of entrance ports **204b** and inner flow channels **166a** continue to be operative.

To ensure oil is more evenly divided between each of the flow channels **166**, the flow divider lid **134** includes partition fins **206**. Oil contained between adjacent fins **206** is directed into one of the flow channels **166**. During rotation, oil is forced to flow vertically and axially downward via separate flow channels **166** toward the bottom end **158** of the centrifuge cartridge. Referring again to FIGS. **4** and **5**, the flow channels **166** are divided into outer flow channels **166b** between outer wall **156** and the outer cylindrical partition wall **162b** and inner flow channels **166a** between the outer cylindrical partition wall **162b** and the inner cylindrical partition wall **162a** of the trap. Heavy particles such as fine soot in the oil will migrate radially outward via the centrifugal force. Soot will tend to agglomerate along the inner peripheral surfaces of the outer wall **156** and the cylindrical partition walls **162** which provide soot deposit areas. Centrifugal force is greater at larger diameters and therefore soot will migrate radially outward as far as possible. In contrast to the heavier soot particles that migrate radially outward, the lighter clean oil flows radially inward through port openings **212** in the retaining ribs **160** in the bottom end **158**. The cleaner oil then enters a return flow passage **214** formed between the inner cylindrical partition wall **162a** and the shell inner wall **157**. Cleaner oil flows axially in the opposite direction or vertically upward toward an exit **216** where clean oil leaves the filter chamber **205**. The exit **216** is simply a gap provided between the shell **150** and the top end cap **154**. Soot may continue to separate out of the oil and be trapped in the filter chamber **205** at any point prior to the exit **216** (although centrifugal forces are greater at larger diameters). Importantly, the oil exit **216** is located radially inwardly of the annular inlet **198** such that oil does not back up and flow out the annular inlet **198** due to the centrifugal force. The oil exit **216** is also located proximate the top end of the centrifuge cartridge **23** such that all or substantially all (preferably greater than about 90%) of the oil remains in the filter chamber **205** once rotation stops, such that soot or unclean oil does not inadvertently drain from the filter chamber **205**.

Once oil reaches the reaches the oil exit **216** it then flows back axially or vertically downward along an outlet conduit formed between the inside surface **222** of the cartridge **23** and the central support tube **120** toward outlet ports **218** through the bottom end of the rotor **18**. Preferably, oil is

routed through two outlet conduits **217** for balancing purposes formed by an axially extending groove or channel **220** formed into the inner peripheral surface of the shell **150**. The channel **220** has a slight draft on it expanding radially outwardly from top to bottom to ensure that centrifugal force guides the oil toward the outlet port **218**. The cartridge **23** also includes tabs **224** which fit through the outlet ports **218** for location purposes and to also assist in torque transfer, locking the centrifuge element **23** to the support casing **21** to ensure no slippage therebetween. Once oil exits the rotor **18** it is guided through gravity and collected in an annular trough **226** formed at the bottom of the centrifuge housing **16** for removal and return. It is an advantage that oil enters the cartridge through the top end of the rotor **18** and exits through the bottom end or otherwise in proximity to the bottom end of rotor **18**. In this manner, there is no oil drag induced during rotation of the cartridge **18** other than the unfiltered oil initially entering the cartridge **18**.

It is a feature of the winding flow path arrangement through the filter chamber **205** that unfiltered oil cannot short circuit to the filter chamber exit **216**. According to the preferred embodiment, oil flows all the way from the top end of the filter chamber **205** back to the bottom end of the filter chamber **205** and then back to the top end of the filter chamber **205**. The gluing or potting of the trap **152** to the top end cap **154** also ensures that leakage does not occur along the contact surface between the top end cap **154** and the top end of the trap **152**. Also, by using the inside surface of the shell **150** and specifically the concave depressions which provide axial channels **220** in the cartridge which in combination with interior surface of the support bowl **114** serve as outlet conduits **217**, no seals, separate tube or pipe assemblies, or extra passageways are required to route the exiting clean oil to the bottom end of the cartridge **18** to be expelled therefrom. This greatly simplifies the configuration of the trap **152** and disposable cartridge **23**.

It is another aspect of the centrifuge cartridge **23** that partition walls **162**, **164** are provided to prevent and reduce waves from forming in the spinning oil inside the filter chamber **205**. The partition walls **162**, **164** break the filtering chamber into separate sections each extending axially from top end to bottom end. By inhibiting wave formation, the partition walls **162**, **164** maintain a more balanced rotor **18** about the predetermined axis **19** of rotation. This reduces the loads and resulting wear imposed on the upper and lower bearing sets **36**, **38** and on the components electrical motor **80**. Improved reliability and life span of the centrifuge **10** is achieved as a result.

The disposable cartridge **23** in this unit may be completely plastic and without any metal due to the support of the outer support casing **21** which is reused. The cartridge **23** traps the soot from the oil such that when the cartridge element is disposed of the soot is likewise disposed of as well. Making the disposable element out of plastic makes it much less expensive to manufacture and also makes it capable of being incinerated. In accomplishing these advantages, it has been found useful to back the plastic disposable cartridge **23** up with metal structural components of the support bowl **114** and lid **116** due to the fact that high temperatures of engine oil and pressures due to centrifugal force are too high to expect the plastic to hold up. As such, the cartridge element is **23** configured closely to the interior chamber of the support casing **21** such that centrifugal force causes engagement between the outer support wall **118** and the outer peripheral surface of the disposable cartridge **23**. During maintenance intervals, the housing lid assembly **28** is removed by unfastening the external shoulder bolts **46**.

The lid assembly **28** slides right off the support shaft **34** without any need to disconnect any oil connections. Then, the cartridge bolts **117** are unfastened and the cartridge lid **116** is removed to gain access to the disposable cartridge **23** filled in part with the trapped soot. The lid **116** includes a hex **228** which can be gripped with a wrench to hold the cartridge **18** stationary during unfastening of the bolts **117**. The disposable cartridge **23** is then pulled out through the top of the support bowl **114** for disposable and replacement with a new clean cartridge **23** which is inserted into the support bowl. The lid **116** is then replaced and refastened on the support bowl **114** to secure the cartridge **23** in the outer support casing **21**. It is an advantage that this service maintenance is performed from the top of the centrifuge **10** which allows a mechanic to work over the top of the vehicle rather than having to get down underneath the vehicle.

Once the filtered oil is collected in the annular trough **226**, it then exits the centrifuge housing **16** through a horizontal outlet passage **230** that is connected to the housing outlet port **24** for return to the engine oil sump or pan as can be seen in FIGS. **2** and **25**. Although gravity could be used in returning the filtered oil, it is a feature that a venturi conduit **232** is provided that carries away the filtered oil from horizontal outlet passage **230**. The venturi conduit **232** is arranged between the inlet port **22** and the outlet port **24** and comprises a larger diameter upstream section **234**, a large diameter downstream section **236**, a restriction orifice **238** having the smallest diameter or flow area, and a gradually expanding conical section **240** to connect the restriction orifice **238** to the downstream section **236**. The outlet passage **230** is connected downstream of the front edge or entrance of the restriction orifice **238** such that it is subjected to a vacuum or suction effect. The restriction orifice **238** also serves the purpose of maintaining high pressure in the larger diameter upstream section **234** which feeds unfiltered oil vertically upward along the axial passage **170** of the centrifuge housing **16**.

The venturi conduit **232** serves an additional important function in the preferred embodiment that provides yet another novel aspect of the present invention. In particular, the rotor chamber **32** has been carefully and intentionally sealed to provide an isolated atmosphere or environment in which the rotor **18** rotates. Gaskets or other seals or other sealing means such as using resins, epoxies or materials which can effect a substantially air tight seal between two separate metal components are used to effect this isolated atmosphere. In the preferred embodiment, gaskets, or other rubber or resilient materials designated at reference numbers **44**, **52**, and **100**, all help to maintain an isolated environment. With the environment isolated from the external atmosphere outside of the centrifuge **10**, the venturi effect caused via the continuous flow of oil through the venturi conduit **232** serve to suck the air out of the rotor chamber **32** and provide a partial vacuum of less than  $\frac{1}{2}$  atmosphere. A partial vacuum of  $\frac{1}{3}$  of an atmosphere or less has been achieved using the approach of the preferred embodiment. The benefit of the partial vacuum is that air drag on the rotating rotor **18** is greatly reduced allowing the cartridge to more easily achieve the desired speed. This reduces the electrical powering requirements and the necessary size of the brushless DC electrical motor **80** which is a big advantage due to the fact that the centrifuge **10** in the preferred embodiment is electrically powered by the vehicle or engine, thereby to minimize or prevent undue electrical power drain. It has been found that a desirable speed to achieve is about 13,000 revolutions per minute which effect a centrifugal force of about 10,000 times the force of gravity,



which is sufficient to remove the very small particulate soot from oil (this coupled with a long residence time mentioned above). However, it will be appreciated that the force and speed can be altered a certain extent based on cartridge diameter and residence time of oil in the cartridge during operation. The partial vacuum achieved allows the rotor 18 to get up to speed using the electrical power on most over the road commercial vehicles. It should be noted that in the alternative, the centrifuge 10 could also be driven by compressed air system, mechanically by the engine, or via an oil driven turbine. Using any means of driving, the reduce atmosphere provides a huge advantage of power savings. Compressed air or other means could also be used as a means to effect the venturi effect or otherwise provide a partial vacuum in the rotor chamber.

A further feature of the present invention is use of a load washer 250 or wave spring mechanism as shown in FIG. 35 which serves to bias the upper bearing set 36 (and therefore the rotor 18) vertically upward which balances the axial loads across the pair of bearing sets 36, 38. In particular, the wave spring 36 axially preloads the upper bearing set 36 which counteracts the weight of the cartridge 18 when full of oil. As shown, the load of 20 lbs. is carried equally by upper and lower bearing sets 36, 38 in FIG. 35 which improves lifespan and reliability by reducing bearing stress. The following equations describe how the load is carried and how the spring force can be set:

$$F_{R1} + F_{R2} = F_R$$

and

$$F_{R2} = F_R - F_{R1}$$

$$F_{R1} = F_S$$

$$F_{R2} = F_b$$

Where

$F_R$  = Total gravitational force of rotor;

$F_{R1}$  = Gravitational force of rotor applied to upper bearing set;

$F_{R2}$  = Gravitational force of rotor applied to lower bearing set;

$F_S$  = Force of spring washer.

$F_b$  = Supporting force by motor mounting bracket

By setting the force of the spring equal to one half the gravitational force of the rotor, the load is equally carried over both bearing sets 36, 38.

Turning to FIG. 36, it will be appreciated that a preferred embodiment of the present invention may also include a valve system to control the partial vacuum condition in the rotor chamber during operation. These valves may be directly mounted on the centrifuge housing 16. In operation, oil from the engine pump 12 enters through the inlet port 22, passes through the venturi conduit 232 and exits the outlet port 24 in route to the engine oil sump 14. A check valve 304 arranged in conduit 230 prevents oil from flowing in the reverse direction which could fill or flood the housing 16. When the oil temperature is elevated, the venturi conduit 232 begins aspirating thus opening the check valve 304 and evacuating air from the centrifuge housing 16.

The system may include a pressure relief valve 302 fluidly connected to the rotor chamber of the housing 16 that vents the rotor chamber to the external atmosphere 306 so that the rotor chamber returns to atmospheric pressure at engine shut down. The pressure relief valve 302 is piloted by and responsive to the engine oil pressure in line 170. When

the engine is operating, the oil pressure in line 170 shuts the pressure relief valve 306 allowing a partial vacuum to form inside the housing 16 and reduce air drag on the rotor 18. However when the engine is shut down, the oil pressure drops in line 170 thereby opening the rotor chamber of the housing 16 to the external atmosphere through the pressure relief valve 302. This returns the internal rotor chamber of the housing 16 back to normal atmospheric pressure, which also allows a mechanic or vehicle operator to easily open the housing 16 and also prevents the vacuum from sucking oil from the engine oil circuit into the housing 16 and rotor 18.

The system may also include a oil flow shut off valve 300 that prevents oil flow into the rotor 18 until a partial vacuum forms in the housing 16 at which point the rotor 18 is up to the desired speed. The shut off valve 300 is piloted by and responsive to the air pressure inside the housing 16. The shut off valve 300 is closed until a partial vacuum of a predetermined magnitude is reached in the housing 16. When a partial vacuum in the centrifuge housing 16 is formed, the valve 300 opens allowing oil to flow through the restriction passage 196 and into the rotor 18. The valves 300, 302 may be in the form of diaphragm type valves and can be located or mounted to the outside of the housing 16. The valves 300, 302 may also be integral to the housing. The ports 22, 24 and the venturi may also be external and integral to the housing 16 as well. The check valve 304 can be internal, and integral to the housing 16. These valves also eliminate the need for any electronic controlled valves.

The foregoing description of various preferred embodiments of the invention has been presented for purposes of illustration and description. It is not intended to be exhaustive or to limit the invention to the precise forms disclosed. Obvious modifications or variations are possible in light of the above teachings. The embodiments discussed were chosen and described to provide the best illustration of the principles of the invention and its practical application to thereby enable one of ordinary skill in the art to utilize the invention in various embodiments and with various modifications as are suited to the particular use contemplated. All such modifications and variations are within the scope of the invention as determined by the appended claims when interpreted in accordance with the breadth to which they are fairly, legally, and equitably entitled.

What is claimed is:

1. A centrifuge cartridge adapted to be rotated in a centrifuge housing about a predetermined axis for filtering fluid, comprising:

a shell surrounding the predetermined axis, defining an internal filter chamber having an entrance for receiving unfiltered fluid, an exit for discharging filtered fluid and a deposit area adapted to collect contaminant, the filter chamber extending an axial length;

a plurality of radial partition walls in the filter chamber for preventing wave formation in the fluid, each partition wall extending radially inwardly from the shell toward the predetermined axis, the partition walls being angularly spaced about the predetermined axis dividing the filter chamber into separate filter sections at different respective angular locations about the predetermined axis; and

wherein each radial partition wall extends substantially the axial length of the filter chamber to divide the filter chamber into the different filter sections.

2. The centrifuge cartridge of claim 1 wherein the shell is cup shaped and includes inner and outer walls extending axially generally coaxial about the predetermined axis, the inner and outer walls being joined at their bottom.

15

3. The centrifuge cartridge of claim 2 wherein the shell comprises plastic material further comprising:

- a separate tubular trap inserted into the shell between the inner and outer walls, the radial partition walls being integrally provided in the trap extending radially between the inner and outer walls; and
- a top end cap secured to a top end of the trap, the top end cap defining a plurality of entrance ports coaxial about the predetermined axis, each fluid entrance port feeding fluid into one of the filter sections.

4. The centrifuge cartridge of claim 3 further comprising a lid covering the top end cap secured to the shell in spaced relation to the top end cap, the lid defining an annular inlet adapted to receive oil from the centrifuge housing.

5. The centrifuge cartridge of claim 4 further comprising:

- a weld ring spun weld onto a top edge of the shell, the weld ring adapted to engage the periphery of the lid to retain the lid; and
- a radial seal gasket carried on the outer peripheral of the lid.

6. The centrifuge cartridge of claim 3 wherein the bottom includes a matrix of axially projecting retaining ribs, the bottom end of the trap adapted to be mechanically inserted into the retaining ribs and mechanically retained between adjacent retaining ribs.

7. The centrifuge cartridge of claim 3 wherein the tubular trap element further includes a cylindrical wall providing a first flow path through each of the sections on the outside of the cylindrical wall in one axial direction from the entrance ports to the bottom of the shell and a second flow path on the inside of the shell in the opposite axial direction.

8. The centrifuge cartridge of claim 7 wherein the tubular trap element includes a second cylindrical wall coaxial about said first cylindrical wall dividing the first flow path into two separate flow channels, the entrance ports including an inner set feeding fluid to the inner flow channels and an outer set feeding fluid to the outer flow channels.

9. The centrifuge cartridge of claim 1 wherein the centrifuge cartridge is intended for use with a reusable cartridge casing, an outer periphery of the shell being closely dimensioned to an inner peripheral surface of the reusable cartridge casing for being supported thereby during rotation, the centrifuge cartridge being removable from the reusable cartridge casing for disposal and replacement.

10. The centrifuge cartridge of claim 8 wherein centrifuge cartridge is plastic material, and wherein the centrifuge cartridge is rotated at a speed sufficient to remove soot from engine oil, the plastic material having insufficient strength to withstand said speed without the support of the reusable cartridge casing.

11. A centrifuge cartridge adapted to be rotated in a centrifuge housing about a predetermined axis for filtering fluid, comprising:

- a cup shaped shell including inner and outer walls surrounding the predetermined axis and joined at the bottom; and
- a filter chamber defined between inner and outer walls having an entrance for receiving unfiltered fluid, an exit for returning filtered fluid, and a deposit area adapted to collect contaminant;
- an intermediate annular wall between the inner and outer walls and surrounding the predetermined axis and dividing the filter chamber; and
- first and second flow paths adapted to communicate fluid in opposite axial directions being joined in proximity to an axial end of the centrifuge cartridge, one flow path

16

being defined between the intermediate annular wall and inner wall, the other flow path being defined between the intermediate annular wall and the outer wall.

12. The centrifuge cartridge of claim 11 further comprising a second intermediate annular wall coaxial about said first intermediate annular wall dividing one of the flow paths into separate flow channels communicating fluid in the same axial direction.

13. The centrifuge cartridge of claim 11 further comprising a plurality of radial partition walls in the filter chamber extending radially relative to the axis through the intermediate annular wall and between inner and outer walls for preventing wave formation in the fluid of the first and second flow paths, the partition walls being angularly spaced about the predetermined axis dividing the filter chamber into separate filter sections at different respective angular locations about the predetermined axis.

14. The centrifuge cartridge of claim 13 wherein the outer and inner walls are integrally joined at their bottom, further comprising a separate tubular trap providing the intermediate annular wall and radial partition walls, the tubular trap inserted into the shell between inner and outer walls and being seated on the bottom of the shell, and a top end cap sealed to a top end of the trap, the top end cap defining a plurality of entrance ports coaxial about the predetermined axis, each fluid entrance port feeding fluid into one of the filter sections.

15. The centrifuge cartridge of claim 6 wherein the bottom includes a matrix of axially projecting retaining ribs, the bottom end of the trap adapted to be mechanically inserted into the retaining ribs and mechanically retained between adjacent retaining ribs.

16. The centrifuge cartridge of claim 11 wherein the centrifuge cartridge is intended for use with a reusable cartridge casing, an outer periphery of the shell being closely dimensioned to an inner peripheral surface of the reusable cartridge casing for being supported thereby during rotation, the centrifuge cartridge being removable from the reusable cartridge casing for disposal and replacement.

17. The centrifuge cartridge of claim 16 wherein centrifuge cartridge is plastic material, and wherein the centrifuge cartridge is rotated at a speed sufficient to remove soot from engine oil, the plastic material having insufficient strength to withstand said speed without the support of the reusable cartridge casing.

18. A centrifuge cartridge adapted to be rotated in a centrifuge housing about a predetermined axis for filtering fluid, comprising:

- a cup shaped shell having inner and outer walls extending axially and surrounding the predetermined axis, the inner and outer walls being joined at their bottom;
- a filter chamber defined between inner and outer walls having an fluid exit for outputting filtered fluid, an annular fluid entrance adapted to receive unfiltered fluid through a top end of the of the centrifuge cartridge coaxial about the predetermined axis at a location between the inner and outer walls, and a deposit area adapted to collect contaminant; and
- an axially extending outlet conduit surface formed along the inside peripheral surface of the inner wall connected to the fluid exit of the filter chamber and extending axially towards a bottom end of the centrifuge cartridge to provide for an outlet port.

19. The centrifuge cartridge of claim 18 wherein the entrance and the exit are proximate the top end of the centrifuge cartridge such that substantially all fluid con-

tained in the filter chamber during rotation is retained in the filter chamber when the centrifuge rotor is idle.

20. The centrifuge cartridge of claim 18 wherein the outer and inner walls are integrally joined at their bottom further comprising a tubular trap element positioned inserted into the shell between inner and outer walls and being seated on the bottom of the shell.

21. The centrifuge cartridge of claim 20 wherein the tubular trap element includes radial walls angularly about the predetermined axis dividing the centrifuge cartridge into a plurality of discrete sections, each entrance port feeding fluid into one of the sections.

22. The centrifuge cartridge of claim 21 wherein the tubular trap element further includes a generally cylindrical wall providing a first flow path through each of the sections on the outside of the cylindrical wall in one axial direction from the entrance ports to the bottom of the shell and a second flow path on the inside of the cylindrical wall in the opposite axial direction from the bottom of the shell to the exit.

23. The centrifuge cartridge of claim 22 wherein the tubular trap element includes a second cylindrical wall coaxial about said first cylindrical wall dividing the first flow path into two separate flow channels.

24. The centrifuge cartridge of claim 20 further comprising a top end cap secured to a top end of the trap, the top end cap defining a plurality of entrance ports coaxial about the predetermined axis providing the annular fluid entrance to the filter chamber.

25. The centrifuge cartridge of claim 20 further comprising a lid covering the top end cap secured to the shell in spaced relation to the top end cap, the lid defining an annular inlet adapted to receive oil from the centrifuge housing.

26. The centrifuge cartridge of claim 25 further comprising:

- a weld ring spun weld onto a top edge of the shell, the weld ring adapted to engage the periphery of the lid to retain the lid; and
- a radial seal gasket carried on the outer peripheral of the lid.

27. The centrifuge cartridge of claim 11 wherein the centrifuge cartridge is intended for use with a reusable cartridge casing, the outer wall being closely dimensioned to an inner peripheral surface of the reusable cartridge casing for being supported thereby during rotation, the centrifuge cartridge being removable from the reusable cartridge casing for disposal and replacement.

28. The centrifuge cartridge of claim 27 wherein centrifuge cartridge is plastic material, and wherein the centrifuge cartridge is rotated at a speed sufficient to remove soot from engine oil, the plastic material having insufficient strength to withstand said speed without the support of the reusable cartridge casing.

29. A centrifuge cartridge adapted to be rotated in a centrifuge housing about a predetermined axis for filtering fluid, comprising:

- a cup shaped shell having inner and outer walls extending axially and surrounding the predetermined axis, the inner and outer walls being joined at their bottom;
- a lid secured to a top end of the shell;
- an annular inlet through the lid coaxial about the predetermined axis for receiving unfiltered oil at a location offset from the predetermined axis;

a filter chamber defined between inner and outer walls receiving fluid from the annular inlet, having an exit located radially inward of the annular inlet and in proximity to a top end of the filter chamber such that substantially all fluid contained in the cartridge during rotation is retained in the filter chamber when the cartridge is idle, and a deposit area adapted to collect contaminant.

30. The centrifuge cartridge of claim 29 wherein the outer and inner walls are integrally joined at their bottom further comprising a tubular trap element positioned inserted into the shell between inner and outer walls and being seated on the bottom of the shell.

31. The centrifuge cartridge of claim 30 wherein the tubular trap element includes radial walls radially about the predetermined axis dividing the centrifuge cartridge into a plurality of discrete sections, each entrance port feeding fluid into one of the sections.

32. The centrifuge cartridge of claim 31 wherein the tubular trap element further includes a generally cylindrical wall providing a first flow path through each of the sections on the outside of the cylindrical wall in one axial direction from the entrance ports to the bottom of the shell and a second flow path on the inside of the cylindrical wall in the opposite axial direction from the bottom of the shell to the exit.

33. The centrifuge cartridge of claim 32 wherein the tubular trap element includes a second cylindrical wall coaxial about said first cylindrical wall dividing the first flow path into two separate flow channels.

34. The centrifuge cartridge of claim 30 further comprising a top end cap secured to a top end of the trap, the top end cap defining a plurality of entrance ports coaxial about the predetermined axis providing the annular fluid entrance to the filter chamber.

35. The centrifuge cartridge of claim 34 further comprising a lid covering the top end cap secured to the shell in spaced relation to the top end cap, the lid defining an annular inlet adapted to receive oil from the centrifuge housing.

36. The centrifuge cartridge of claim 35 further comprising:

- a weld ring spun weld onto a top edge of the shell, the weld ring adapted to engage the periphery of the lid to retain the lid; and
- a radial seal gasket carried on the outer peripheral of the lid.

37. The centrifuge cartridge of claim 29 wherein the centrifuge cartridge is intended for use with a reusable cartridge casing, the outer wall being closely dimensioned to an inner peripheral surface of the reusable cartridge casing for being supported thereby during rotation, the centrifuge cartridge being removable from the reusable cartridge casing for disposal and replacement.

38. The centrifuge cartridge of claim 37 wherein centrifuge cartridge is plastic material, and wherein the centrifuge cartridge is rotated at a speed sufficient to remove soot from engine oil, the plastic material having insufficient strength to withstand said speed without the support of the reusable cartridge casing.