

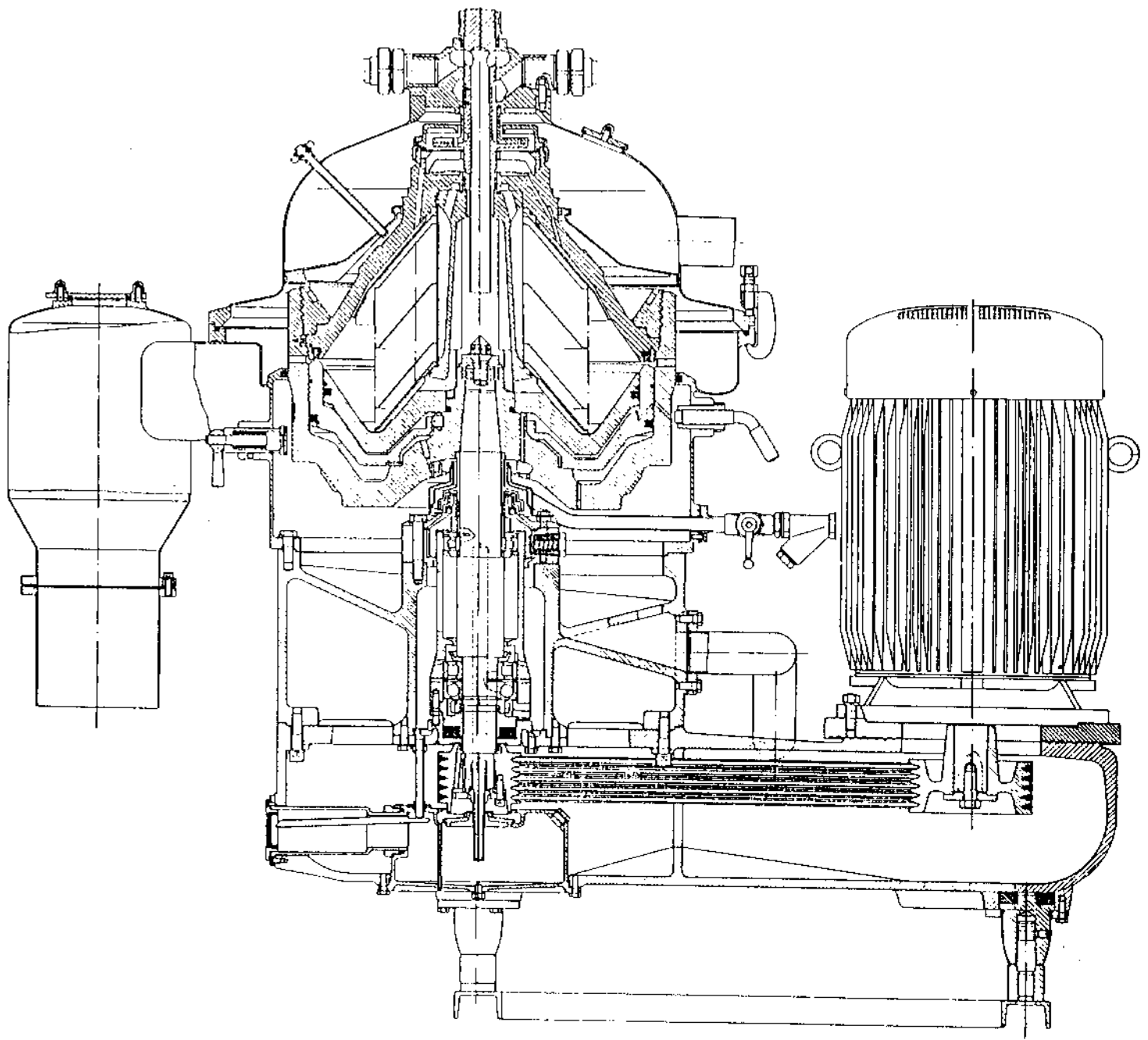
## **Hutchison-Hayes Separators, Inc.**

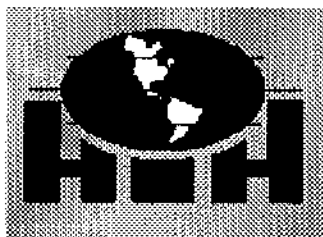
### **Model SA 45-03-107 Parts List With Diagrams**

**P.O. Box 2965 ♦ Houston, Texas 77252**  
**3520 East Belt ♦ Houston, Texas 77015**  
**(713) 455-9600 ♦ Fax (713) 455-7753**

Sectional View of the Separator

SA-45



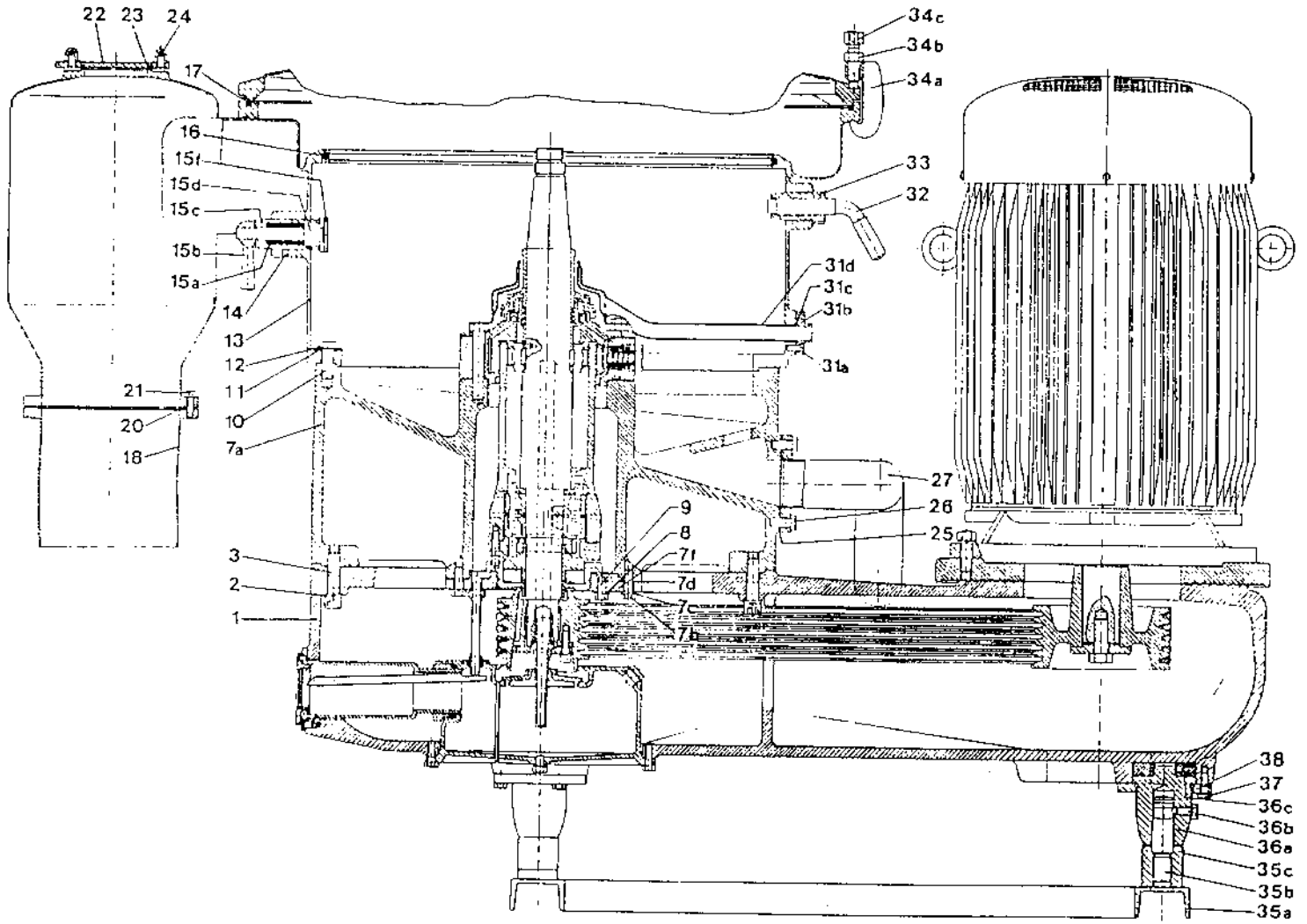


## **Hutchison-Hayes Separators, Inc.**

**This is a Spacer Page**

**P.O. Box 2965 ♦ Houston, Texas 77252**  
**3520 East Belt ♦ Houston, Texas 77015**  
**(713) 455-9600 ♦ Fax (713) 455-7753**

# FRAME



No.in Fig.	Part - No.	Qty.	Part Description
1	0984-1006-040	1	Lower section of frame
2	0026-1330-190	8	Lock washer A 16 DIN 127
3	0019-6206-150	8	Allen screw M 16x65 DIN 912 - 8.8
-	3145-1005-010	1	Upper section of frame, complete (7a-f)
7a	3145-1002-080	1	Upper section of frame
7b	0019-6971-150	8	Hex head screw M 12x35 DIN 933 - 8.8
7c	0026-1328-190	8	Lock washer A 12 DIN 127
7d	0004-2700-770	1	Gasket 220/290x0.3
7f	2315-1124-020	1	Flange
8	0026-1371-030	1	Washer 13 DIN 125
9	0019-5202-150	1	Hex head screw AM 12x25 DIN 561 - 8.8
10	0019-7038-400	8	Hex head screw M 16x45 DIN 933
11	0026-1353-400	8	Washer
12	0026-5894-400	8	Tab washer 17 DIN 93
13	3145-1018-050	1	Sediment collector
14	0019-3973-060	2	Threaded pin M 8x10 DIN 438 - 5.8
-	3037-1043-030	2	Brake assembly (15a-f)
15a	0006-4208-160	2	Cylindrical pressure spring
15b	0021-3514-690	2	Handle
15c	0021-3540-300	2	Brake housing
15d	3037-1031-030	2	Brake bolt assembly
15f	0021-4096-850	2	Brake lining
-	0026-1263-550	8	* Countersunk rivet 4x15 DIN 661
16	0007-2565-840	1	Gasket 644/664 x 9.8
17	0004-2364-758	1	Packing cord 8x8x2800
18	1165-1122-000	1	Pipe
20	0004-2755-750	1	Gasket 200/250 x 2
21	0019-6144-400	3	Allen screw M 10x25 DIN 912
22	3145-1061-030	1	Inspection cover
23	0007-2150-750	1	Gasket 94/110 x 8
24	0013-2852-640	2	Cap nut M10
25	0004-5460-740	1	Gasket 65 / 100x140x2
26	0019-6970-400	2	Hex head screw M 12x30 DIN 933
27	3145-1045-000	1	Sludge outlet pipe
-	3145-1297-020	1	Operating-water feed assembly (31a-d)
31a	0019-2265-300	3	Cheese head screw AM 8x20 DIN 84
31b	3145-1233-010	1	Flange
31c	0007-2292-750	1	Gasket 20/28 x 4
31d	3145-1219-020	1	Operating-water feed
32	0019-0895-160	2	Bowl lock screw
33	0019-1089-300	2	Threaded bush
-	3159-1150-010	6	Clamp assembly (34a-c)
34a	3159-1153-010	6	Clamp
34b	0013-0282-400	6	Hexagon nut M 16 DIN 934
34c	0019-0165-400	6	Hex head screw M 16x65 DIN 934
-	3157-1020-000	1	Foundation frame assembly (35a-c)
35a	3157-1003-000	1	Foundation frame
35b	3157-1033-000	4	Bolt
35c	0026-2034-300	4	Cap
-	2315-1015-010	4	Foot assembly (36a-c)
36a	0019-6387-400	4	Threaded pin AM 12x28 DIN 915
36b	2315-1011-000	4	Foot, stainless steel coated
36c	0021-3018-750	1	Rubber cushion
37	0019-6937-150	12	Hex head screw M 10x30 DIN 933 - 8.8
38	0001-0516-030	4	Flange

\* This part is included in brake bolt assembly 15d, but it is also available as separate item.

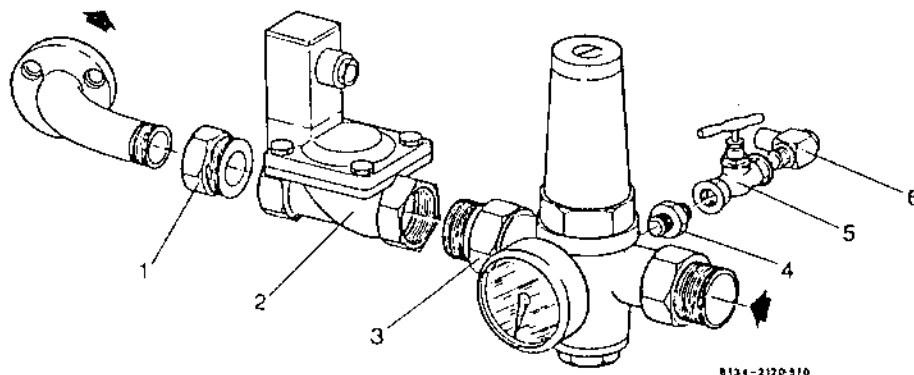


Fig. 13/2

No.in Fig.	Part - Number	Qty.	Part Description
-	8134-2120-560	1	Operating-water connection, complete (1 - 6)
1	0018-0872-260	1	Reducing nipple DIN 2950 - 1in x 3/4in - N4
2	0018-3712-640	1	Solenoid valve 1in (see page 13/4)
3	0018-1741-000	1	Water pressure reducer 1in, complete (see page 13/5)
4	0018-0962-300	1	Double nipple 1/4in
5	0018-1310-640	1	Straight-way valve DIN 3512 - 1/4in
6	0018-3226-600	1	Angular plug-type connection 8 / 1/4in

# SOLENOID VALVE

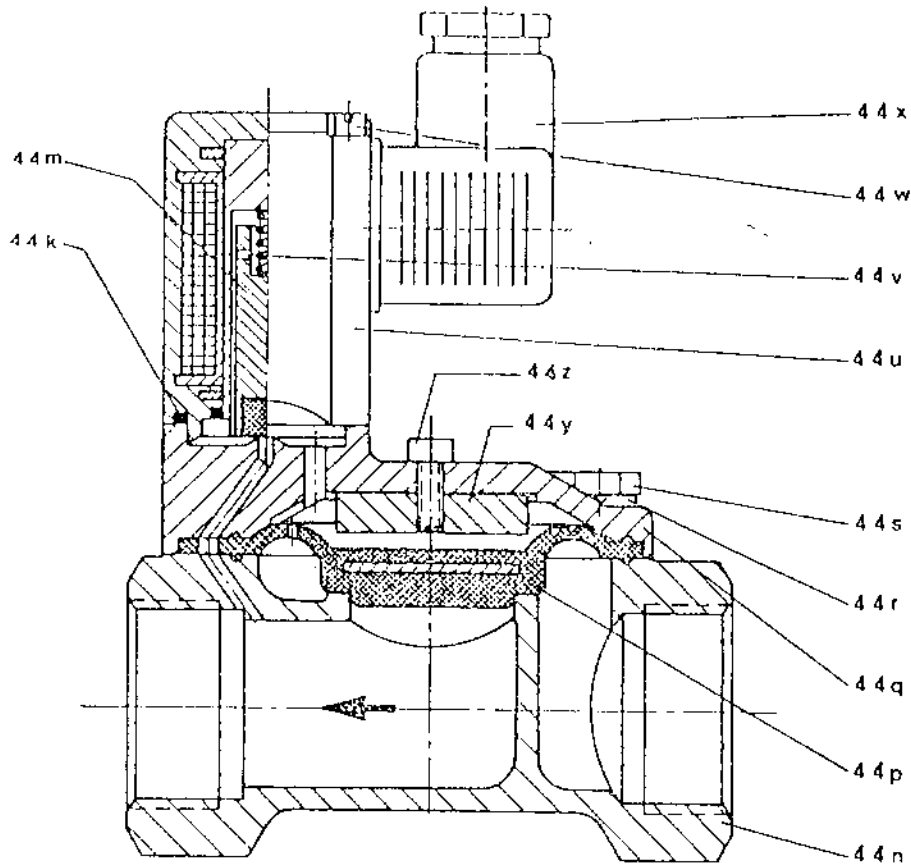


Fig. 13/3

No. in Fig.	Part - No.		Qty.	Part Description
	R 1in valve for operating water	R 1/2in valve for hood flushing water		
-	0018-3712-640	0018-3710-600	1	Solenoid valve assembly (44k-z)
44k	0007-1946-750	0007-1946-750	1	Gasket 25 x 1.5
44m	0018-3710-040	0018-3710-040	1	Solenoid core 4M 719
44n	0018-3712-080	0018-3710-140	1	Valve housing
44p	0018-3712-750	0018-3711-750	1	Diaphragm
44q	0018-3712-100	0018-3710-130	1	Valve housing cover
44r	0026-1389-620	-	6	Washer DIN 433 - 8.4
44r	-	0026-1322-170	6	Lock washer DIN 127 - A 5
44s	0019-6903-400	-	6	Hex head screw DIN 933 - M 8x20
44s	-	0019-6077-400	6	Fillister head screw DIN 84 - M 4x55
44u	0018-3710-800	0018-3710-800	1	Solenoid head 220 Volts, 50/60 Hz
44v	0006-4279-160	0006-4279-160	1	Cylindrical pressure spring
44w	0019-2387-030	0019-2387-030	4	Fillister head screw DIN 84 - M 4x55
44x	0018-3710-050	0018-3710-050	1	Coupler socket
44y	0018-3712-090	-	1	Limiting disc 30x6.5
44z	0019-6077-400	-	1	Allen screw DIN 912 - M 4x10

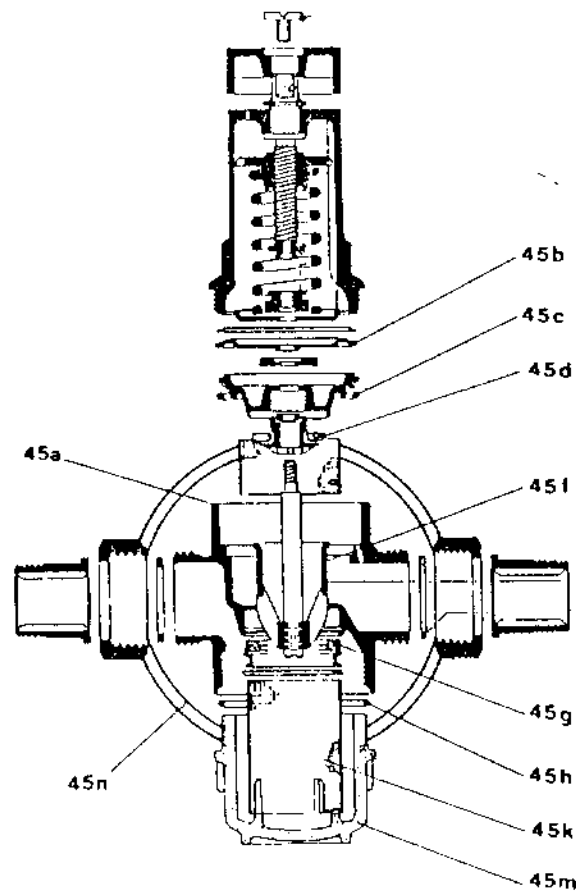


Fig. 13/4

No. in Fig.	Part - Number	Qty.	Part Description
-	0018-1741-000	1	Water pressure reducer, complete 1.5 - 6 bar (45a-n)
45a	0018-1741-690	1	Water pressure reducer assembly (45a-m)
45b	0018-1741-750	1	
45c	0007-1907-750	1	
45d	0018-1741-020	1	
45f	0018-1741-010	1	
45g	0004-5738-840	1	
-	0018-1741-620	1	
45h	0007-2929-750	1	
45k	0018-1741-030	1	
45m	0018-1741-610	1	
45n	0001-0279-600	1	Pressure gauge 0 - 6 bar AR 6316 DIN 6063

Strainer 45k should be cleaned from time to time, the cleaning intervals being dependent on the degree of impurities contained in the water. To remove the strainer, unscrew plug 45m.



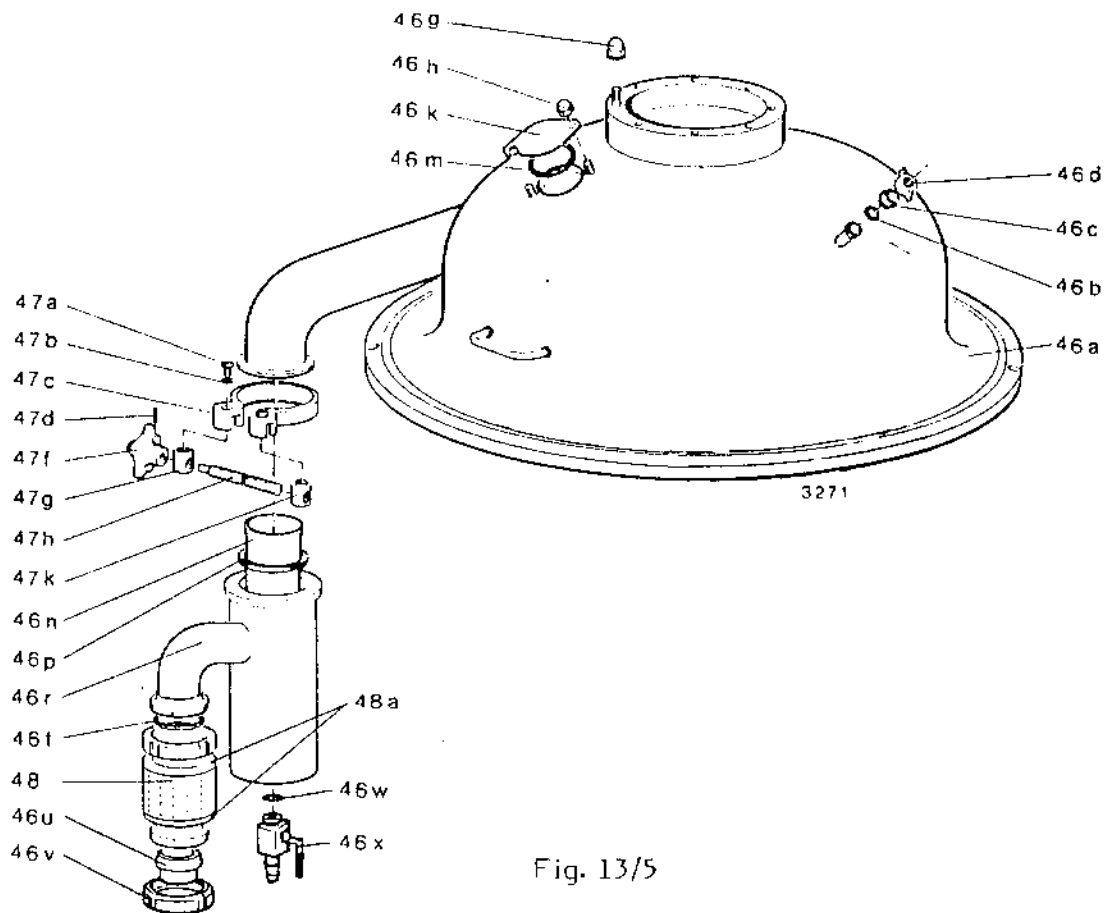


Fig. 13/5

No.in Fig.	Part - No.	Qty.	Part Description
-	3145-7759-210	1	Hood assembly (46a-47k)
46a	3145-7765-180	1	Hood
46b	0007-2068-850	1	Gasket 10/16x3
46c	0018-1844-400	1	Hose connection
46d	0013-2591-690	1	Coupling nut R 1/2"
46g	0013-0406-400	4	Cap nut M 12 DIN 1587
46h	0013-0405-400	2	Cap nut M 10 DIN 1587
46k	8191-1061-010	1	Cover
46m	0007-2106-750	1	Gasket 65/73x5
46n	3145-2207-020	1	Siphon pipe
46p	0007-2064-750	1	Gasket 160/6
46r	3226-2774-010	1	Siphon jar
46t	0007-2522-750	1	Gasket G100 DIN 11851
46u	0018-4290-400	1	Cone connection D100 DIN 11851
46v	0013-2854-300	1	Grooved coupling nut F100 DIN 11851
46w	0007-2102-750	1	Gasket 10.5/18x5
46x	0018-1526-400	1	Hose cock 1/2"
-	1033-7719-020	1	Clamp ring assembly (47a-k)
47a	0019-2507-400	2	Lens-head screw M 6x10 DIN 85
47b	0026-1343-300	2	Washer 6.2x16x1.5
47c	1033-7718-010	1	Clamp ring
47d	0026-1075-400	1	Cylindrical pin 5h8x24 DIN 7
47f	1033-9833-000	1	Clamp sleeve
47g	1033-7717-000	1	Threaded piece (left-hand thread)
47h	1033-1129-000	1	Threaded bolt
47k	1033-7717-010	1	Threaded piece (right-hand thread)
48	0001-0611-300	1	Sight glass lantern NW 100 (on special order)
48a	0007-2756-750	2	Gasket 101/118.5x4 (included in item 48)

# Oil Pan

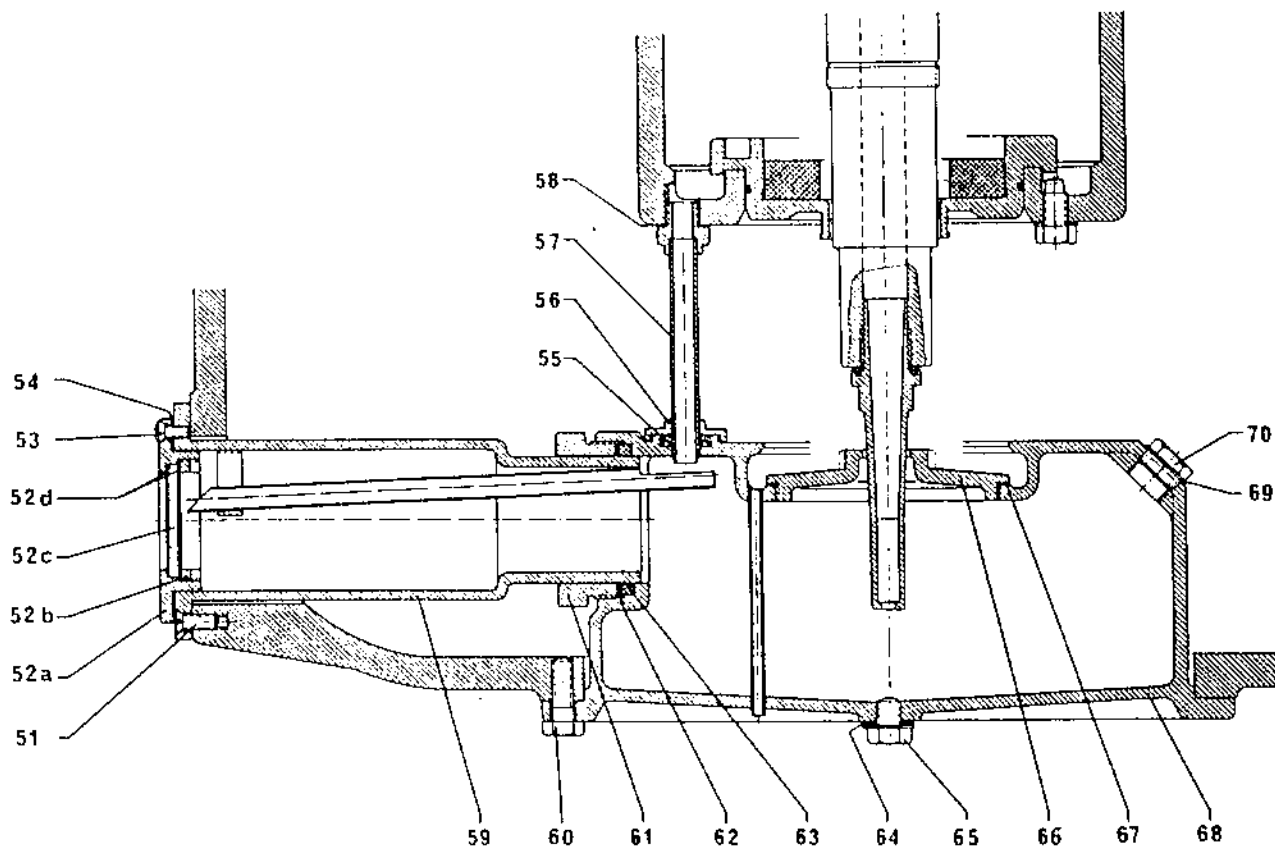
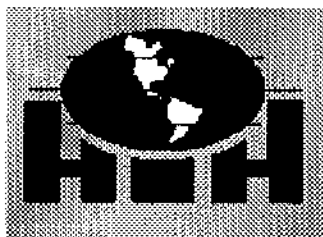


Fig. 14/1

No. in Fig.	Part - No.	Qty.	Part Description
-	2315-1040-000	1	Oil pan assembly (51-70)
51	0019-2112-300	2	Countersunk screw M 8x16 DIN 963
-	0001-0007-640	1	Sight glass assembly (52a-d)
52a	0001-0021-690	1	Sight glass frame
52b	0019-1620-600	1	Threaded ring
52c	0001-0046-820	1	Sight glass
52d	0004-5041-740	2	Gasket 48/57 x 1
53	0019-3249-300	3	Countersunk screw M 6x12 DIN 964
54	0004-5346-740	1	Gasket 70/110 x 1
55	0004-5716-840	1	Grooved ring 13/24 x 6
56	2315-3347-000	1	Cap
57	2315-1122-000	1	Return pipe
58	0004-5925-800	1	Gasket M16
59	2315-1348-000	1	Oil return housing
60	0019-6937-150	4	Hex head screw M 10x30 DIN 933 - 8.8
61	0019-1180-500	1	Threaded bush
62	0026-5800-500	1	Washer
63	0007-2163-750	1	Gasket 63/75 x 6
64	0004-1872-720	1	Gasket 13/25 x 2
65	0019-0133-040	1	Hex head screw
66	2315-1125-010	1	Cover
67	0004-5074-700	1	Gasket 110.6/124.2 x 1
68	2315-1041-000	1	Oil pan
69	0004-5276-710	1	Gasket 22/26 x 1.5
70	0019-1442-030	1	Oil fill plug



## **Hutchison-Hayes Separators, Inc.**

**This is a Spacer Page**

**P.O. Box 2965 ♦ Houston, Texas 77252**  
**3520 East Belt ♦ Houston, Texas 77015**  
**(713) 455-9600 ♦ Fax (713) 455-7753**

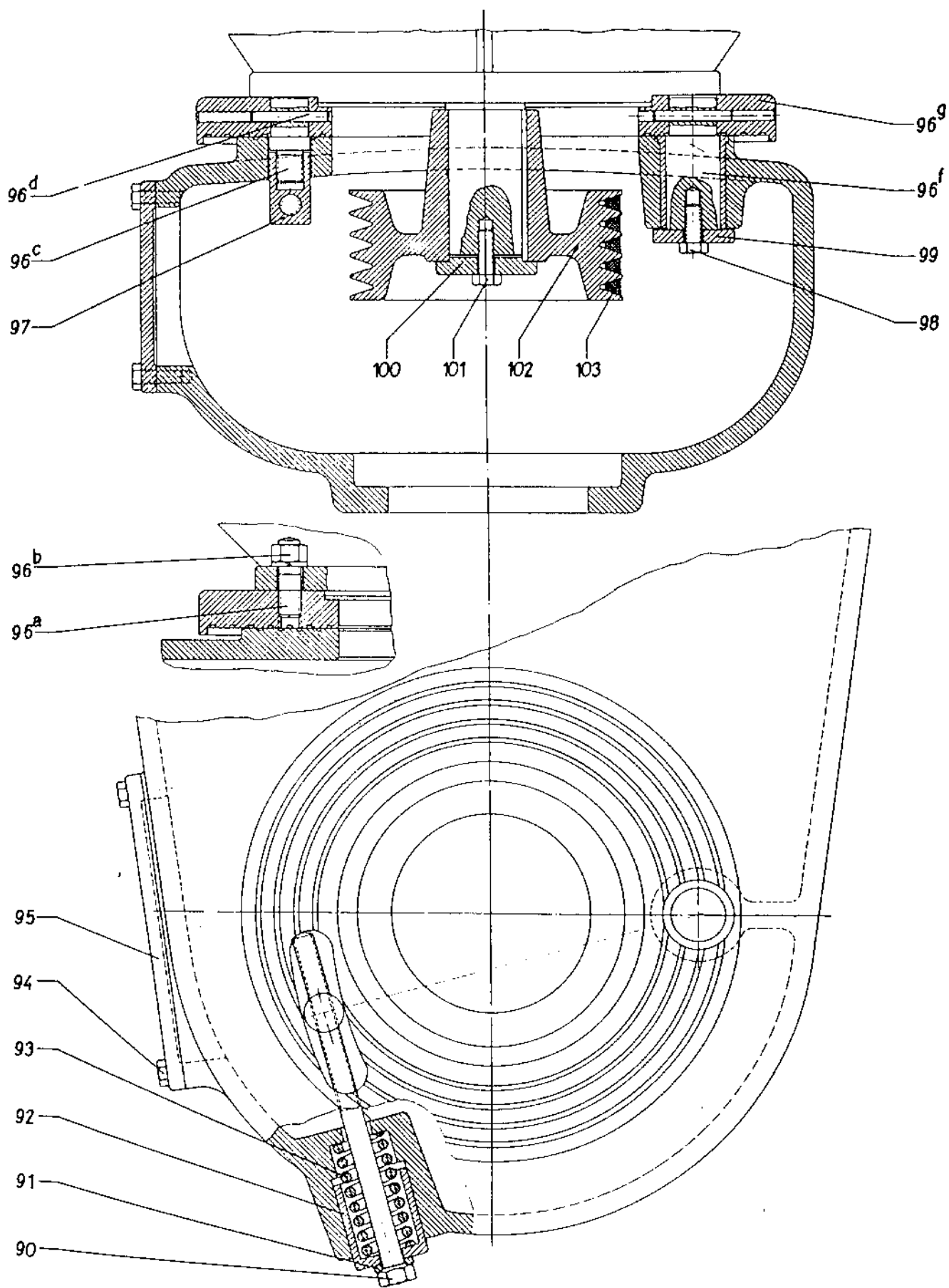


Fig. 14/2

# Flange, Drive Parts

No. in Fig.	Part - Number	Qty.	Part Description
90	0019-1110-150	1	Hex head screw M 16x255 - 8.8
91	2315-3466-030	1	Washer
92	2315-1355-000	1	Guide bush
93	0006-4363-160	1	Cylindrical pressure spring
94	0019-6933-400	8	Hex head screw DIN 933 - M 10x20
95	2315-1085-000	4	Ventilation grid
-	2315-1021-L	1	Flange assembly (96a-g)
96a	0019-7726-150	8	<div style="display: flex; align-items: center;"> <div style="font-size: 2em; margin-right: 5px;">{</div> <div>                     Stud DIN 939 - M 16x40 - 8.8                      Lock washer DIN 127 - A 16                      Hexagon nut DIN 934 - M 16 - 8                      Bolt                      Cylindrical pin DIN 7 - 8h8x55                      Bolt                      Flange                 </div> </div>
-	0026-1330-190	8	
96b	0013-0282-150	8	
96c	2315-1209-010	1	
96d	0026-1105-030	2	
96f	2315-1104-010	1	
96g	2315-1028-L	1	
97	2315-1309-010	1	Guide bolt
98	0019-6970-150	1	Hex head screw DIN 933 - M 12x30 - 8.8
99	0026-1985-030	1	Washer
100	0026-1667-030	1	Centering disc
101	0019-7106-150	1	Hex head screw DIN 933 - M 20x50 - 8.8
102	2315-3354-030	1 ***	V-belt pulley <div style="display: inline-block; vertical-align: middle; margin-left: 10px;"> <math>\left\{ \begin{array}{l} n \text{ Motor} = 3,600 \text{ rpm} \\ n \text{ Bowl} = 5,000 \text{ rpm} \end{array} \right.</math> </div>
102	2315-3354-020	1 ***	V-belt pulley <div style="display: inline-block; vertical-align: middle; margin-left: 10px;"> <math>\left\{ \begin{array}{l} n \text{ Motor} = 3,000 \text{ rpm} \\ n \text{ Bowl} = 5,000 \text{ rpm} \end{array} \right.</math> </div>
102	2315-3354-010	1 ***	V-belt pulley <div style="display: inline-block; vertical-align: middle; margin-left: 10px;"> <math>\left\{ \begin{array}{l} n \text{ Motor} = 3000 \text{ rpm} \\ n \text{ Bowl} = 4590 \text{ rpm} \end{array} \right.</math> </div>
103	0021-4492-800	1	Set of 5 narrow V-belts DIN 7753 - SPA 2150

\*\*\* Only valid for the stated speed.

# FEED AND DISCHARGE CONNECTIONS

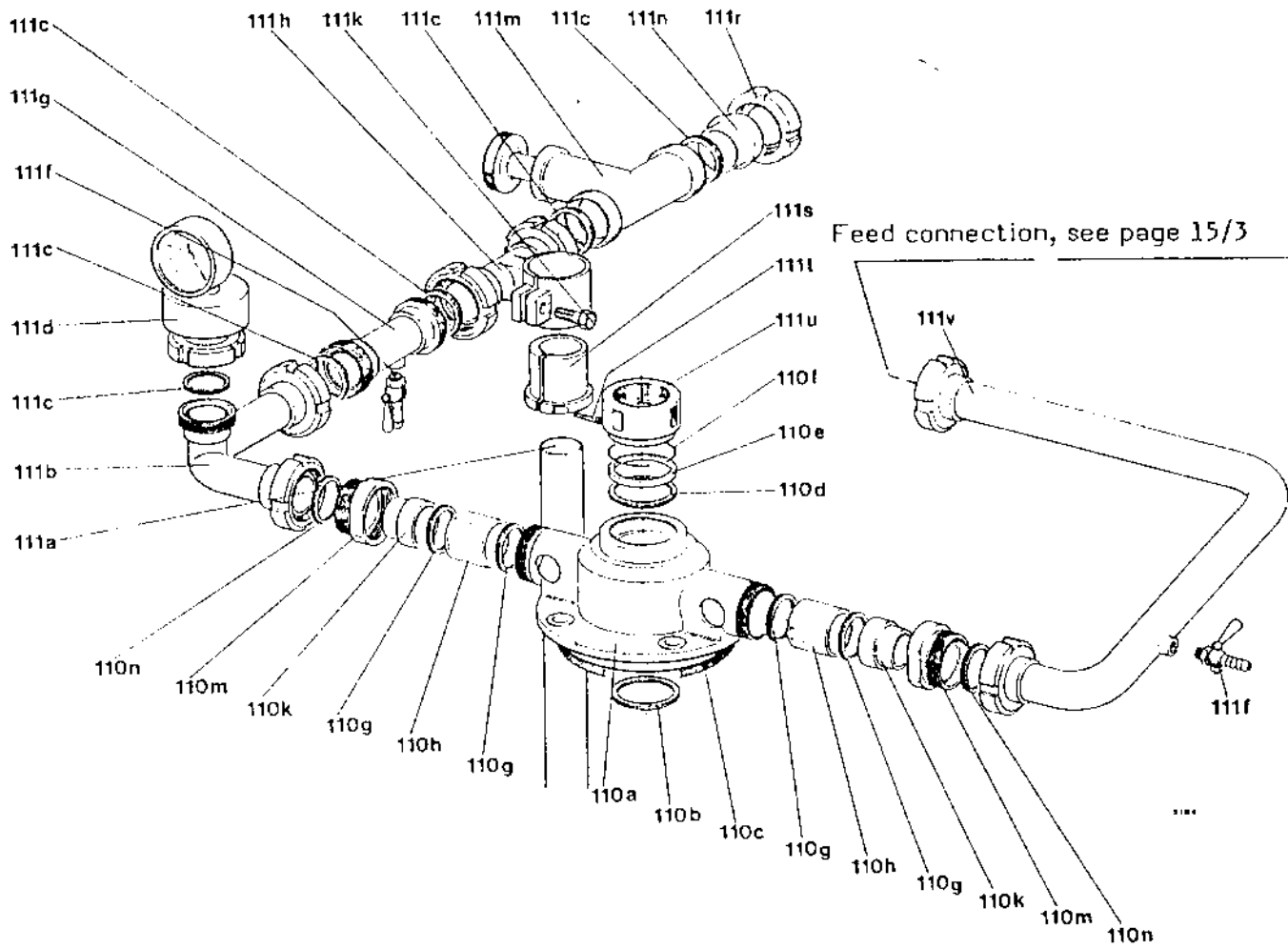


Fig. 15/1

# Feed and Discharge Connections

No.in Fig.	Part - No.	Qty.	Part Description
-	3184-2296-010	1	Feed and discharge connections, complete (110a-111v)
-	3153-2300-000	1	Connection housing, complete (110a-n)
110a	3159-2301-000	1	Connection housing
110b	0007-2382-850	1	Gasket 60/70x4
110c	0007-2555-750	1	Gasket 179/3
110d	0007-2304-750	1	Gasket 53/65x6
110e	0026-5524-400	1	Washer
110f	0026-5560-400	1	Snap ring
110g	0007-2289-750	4	Gasket 40/52x6
110h	0001-0094-820	2	Cylindrical sight glass
110k	0001-0614-380	2	Pressure sleeve
110m	0001-0614-370	2	Threaded piece
110n	0007-2210-750	2	Gasket G 40 DIN 11851
111a	0018-4005-300	1	Support
111b	3184-2196-000	1	Bend
111c	0007-2210-750	5	Gasket G 40 DIN 11851
111d	8918-2100-050	1	Pressure gauge
111f	0018-1525-400	2	+) Hose cock 1/4"
111g	3183-2166-000	1	Connection pipe
111h	0018-2146-400	1	Cock connection piece
111k	0019-6164-400	1	Allen screw M12x25 DIN 912
111m	0018-3907-300	1	Throttle valve 40, complete
-	0007-2617-750	1	* Gasket 39.2/3
111n	0018-3949-400	1	Cone connection D40 DIN 11851
111r	0013-2844-300	1	Grooved coupling nut F 40 DIN 11851
111s	0018-2803-800	1	Adjusting sleeve, complete
111t	0019-2265-300	1	* Cheese head screw AM 8x20 DIN 84
111u	0013-2680-400	1	Nut Tr 52x1/6" (left-hand thread)
111v	3183-2175-000	1	Bend

\* This part is included in the previous "complete" part, but it is also available as separate item.

+) Sealed with PTFE tape.

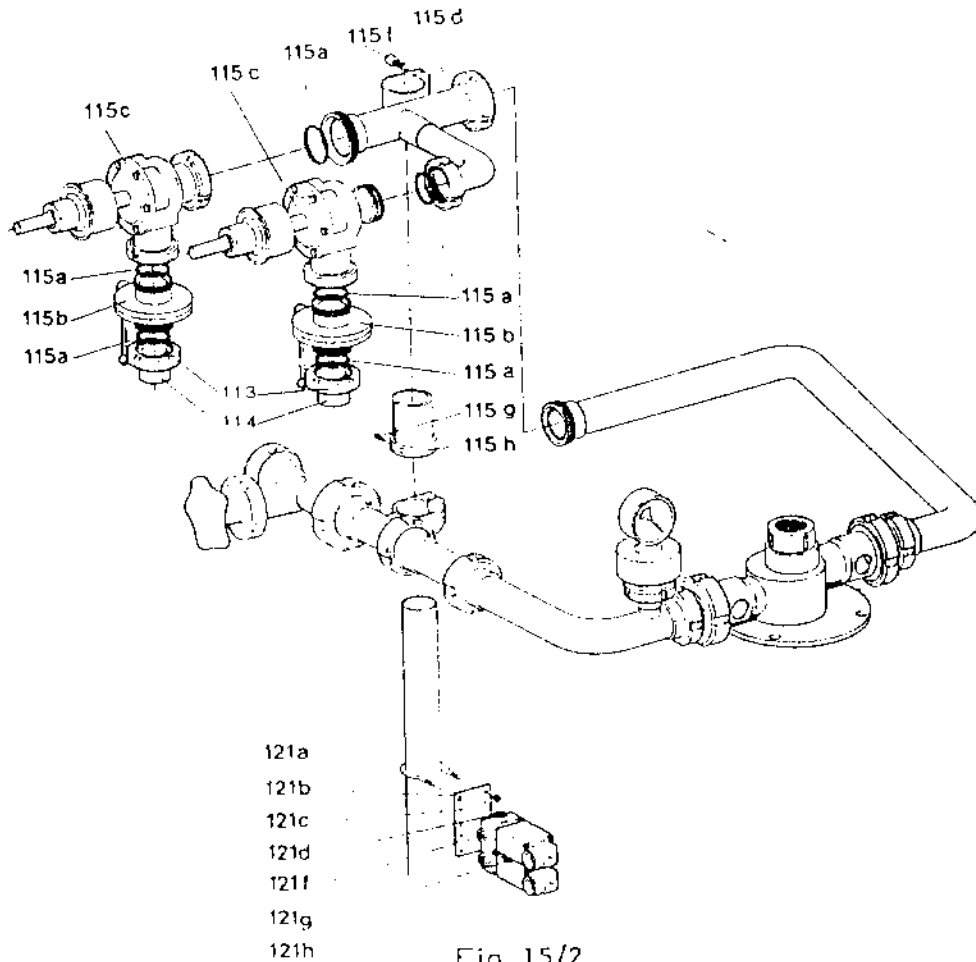
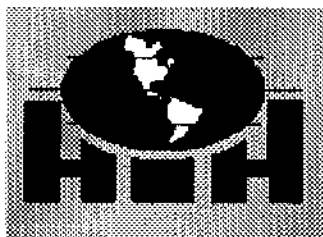


Fig. 15/2

No.in Fig.	Part - No.	Qty.	Part Description
113	0013-2844-300	2	Grooved coupling nut F40 DIN 11851
114	0018-3949-400	2	Cone connection D40 DIN 11851
-	8134-2102-060	1	Feed line assembly (115a-h)
115a	0007-2210-750	7	Gasket G40 DIN 11851
115b	0018-2825-400	2	Butterfly valve 40
115c	0018-4832-400	2	Angle valve 2/2 - 40
115d	0018-2220-400	1	Cock connection piece
115f	0019-6164-400	1	Allen screw M 12x25 DIN 912
115g	0019-2265-300	1	Cheese head screw AM 8x20 DIN 84
115h	0018-2803-800	1	Adjusting sleeve
-	8134-2010-000	1	Solenoid-valve block assembly (121a-h)
121a	0019-1863-400	1	U bolt M 5/50
121b	0013-0275-630	2	Hexagon nut M5 DIN 934
121c	8134-2208-040	1	Plate
121d	0019-1492-000	4	Threaded plug R 1/4"
121f	0018-4236-600	4	Quick-action hose fitting 8 / R 1/4"
121g	0019-2395-030	2	Cheese head screw CM 5x30 DIN 84
121h	0018-4485-600	1	Solenoid valve block
-	0018-4485-800	2	Solenoid valve
-	0018-4485-280	1	Connection block
<b>Accessories for the solenoid-valve block:</b>			
-	0018-4236-600	1	Quick-action hose fitting 8 / R 1/4"
-	0018-4235-600	2	Quick-action hose fitting 8 / R 1/8"
-	0018-0380-848	1	Hose 8x1x5000





## **Hutchison-Hayes Separators, Inc.**

**This is a Spacer Page**

**P.O. Box 2965 ♦ Houston, Texas 77252**  
**3520 East Belt ♦ Houston, Texas 77015**  
**(713) 455-9600 ♦ Fax (713) 455-7753**

with  
basic flow adjustment

without  
basic flow adjustment

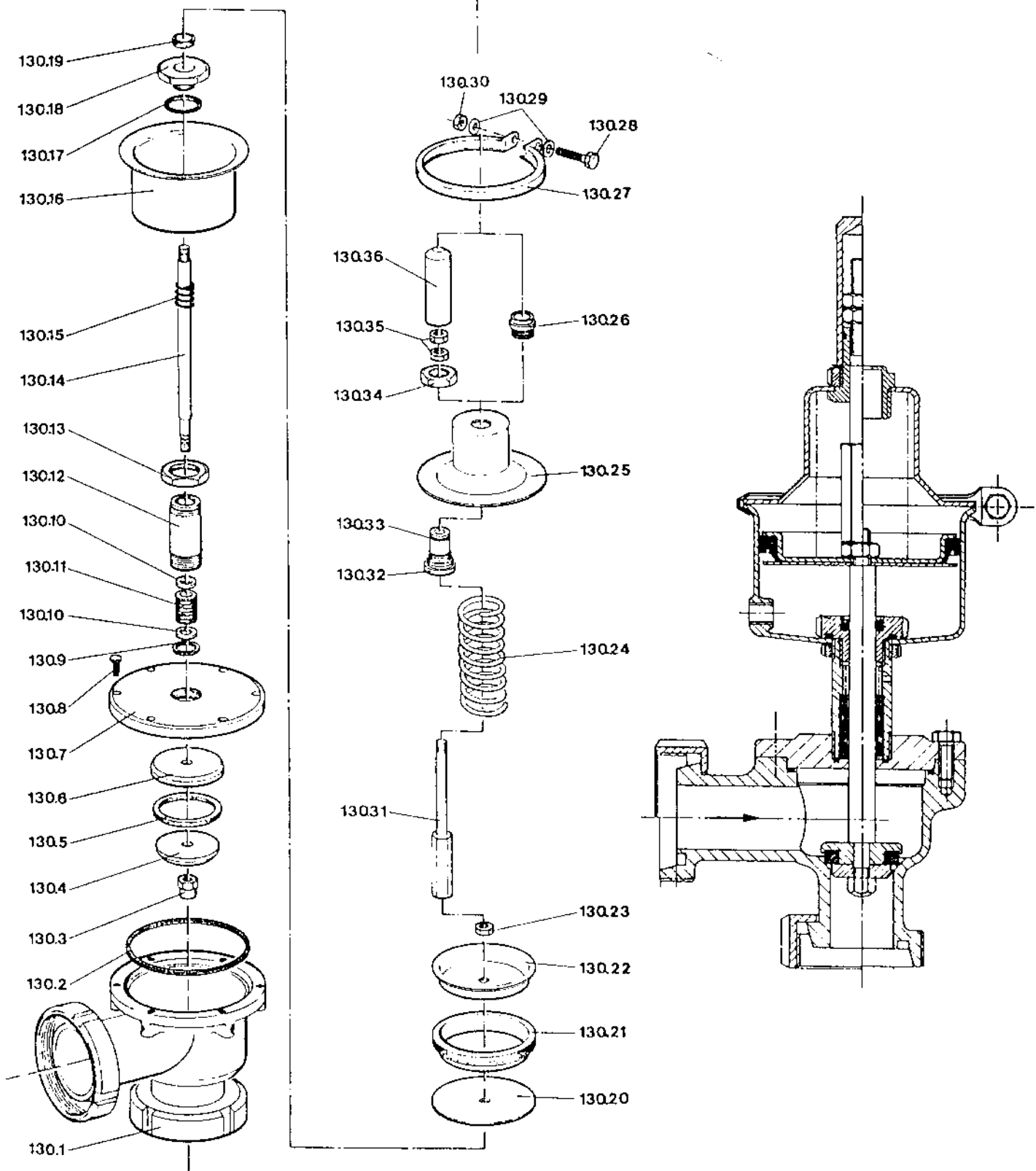


Fig. 15/4

**ANGLE VALVE**  
Design: spring-closing

No.in Fig.	Part - Number		Qty.	Part Description
	DN 40	DN 50		
-	0018-4832-400	0018-4823-400	1	without basic flow adjustment Angle valve 2/2 (130.1 - 130.30)
130.1	0018-4832-000	0018-4828-000	1	Valve housing
130.2	0018-4827-070	0018-4828-070	1	Gasket
130.3	0013-0252-300	0013-0252-300	1	Cap nut
130.4	0018-4827-050	0018-4828-050	1	Washer
130.5	0018-4827-040	0018-4828-040	1	Gasket
130.6	0018-4827-030	0018-4828-030	1	Valve disk
130.7	0018-4827-010	0018-4828-010	1	Valve housing cover
130.8	0019-6841-400	0019-6841-400	6	Hex head screw M 6x16 DIN 933
130.9	0018-4827-080	0018-4827-080	1	Gasket
130.10	0018-4827-100	0018-4827-100	2	Washer
130.11	0018-4827-090	0018-4827-090	1	Packing compl.
130.12	0018-4827-060	0018-4827-060	1	Sleeve
130.13	0018-4827-120	0018-4827-120	1	Nut
130.14	0018-4827-020	0018-4828-020	1	Valve spindle
130.15	0018-4827-110	0018-4827-110	1	Pressure spring
130.16	0018-4827-140	0018-4827-140	1	Housing for control medium
130.17	0007-1946-750	0007-1946-750	1	Gasket 25/1.5
130.18	0018-4827-130	0018-4827-130	1	Threaded piece
130.19	0004-5743-830	0004-5743-830	1	Grooved ring 10/16x4.5
130.20	0018-4827-160	0018-4827-160	1	Washer
130.21	0004-5866-840	0004-5866-840	1	Grooved ring 68/80x8.5
130.22	0018-4827-150	0018-4827-150	1	Washer
130.23	0013-0278-400	0013-0278-400	1	Hexagon nut M8
130.24	0018-4827-170	0108-4827-170	1	Pressure spring
130.25	0018-4827-180	0018-4827-180	1	Cover
130.26	0005-0303-700	0005-0303-700	1	Nipple Pg 16
130.27	0018-4827-190	0018-4827-190	1	Clamp ring
130.28	0019-6847-400	0019-6847-400	1	Hex head screw M 6x30
130.29	0026-1382-400	0026-1382-400	1	Disk 6,4 DIN 125
130.30	0013-0276-400	0013-0276-400	1	Hexagon nut M6

**with basic flow adjustment**

- 0018-4827-400 0018-4828-400 1 Angle valve 2/2 (130.1 - 130.36)

The angle valve with basic flow adjustment differs from the above valve as follows:

Item 130.26 is omitted

Items 130.31 - 130.36 are added:

130.31	0018-4827-200	0018-4827-200	1	Threaded piece
130.32	0018-4827-210	0018-4827-210	1	Guide piece
130.33	0007-1929-750	0007-1929-750	1	Gasket 12/2
130.34	0013-0318-400	0013-0318-400	1	Hexagon nut BM 18x1.5 DIN 439
130.35	0013-0278-400	0013-0278-400	2	Hexagon nut M8 DIN 934
130.36	0018-4827-220	0018-4827-220	1	Sleeve

# FLOWMETER

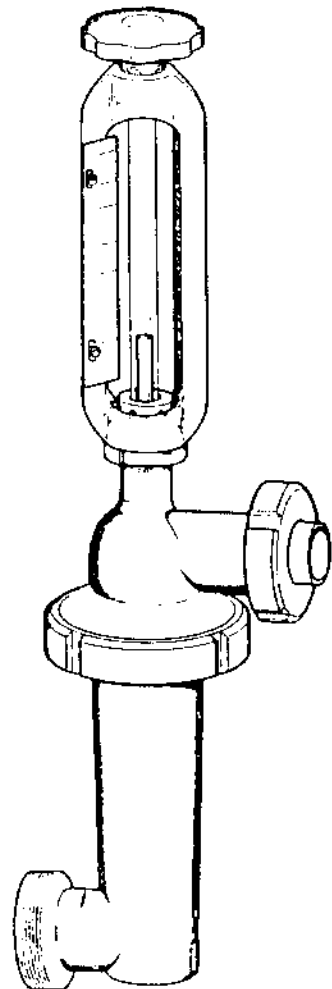
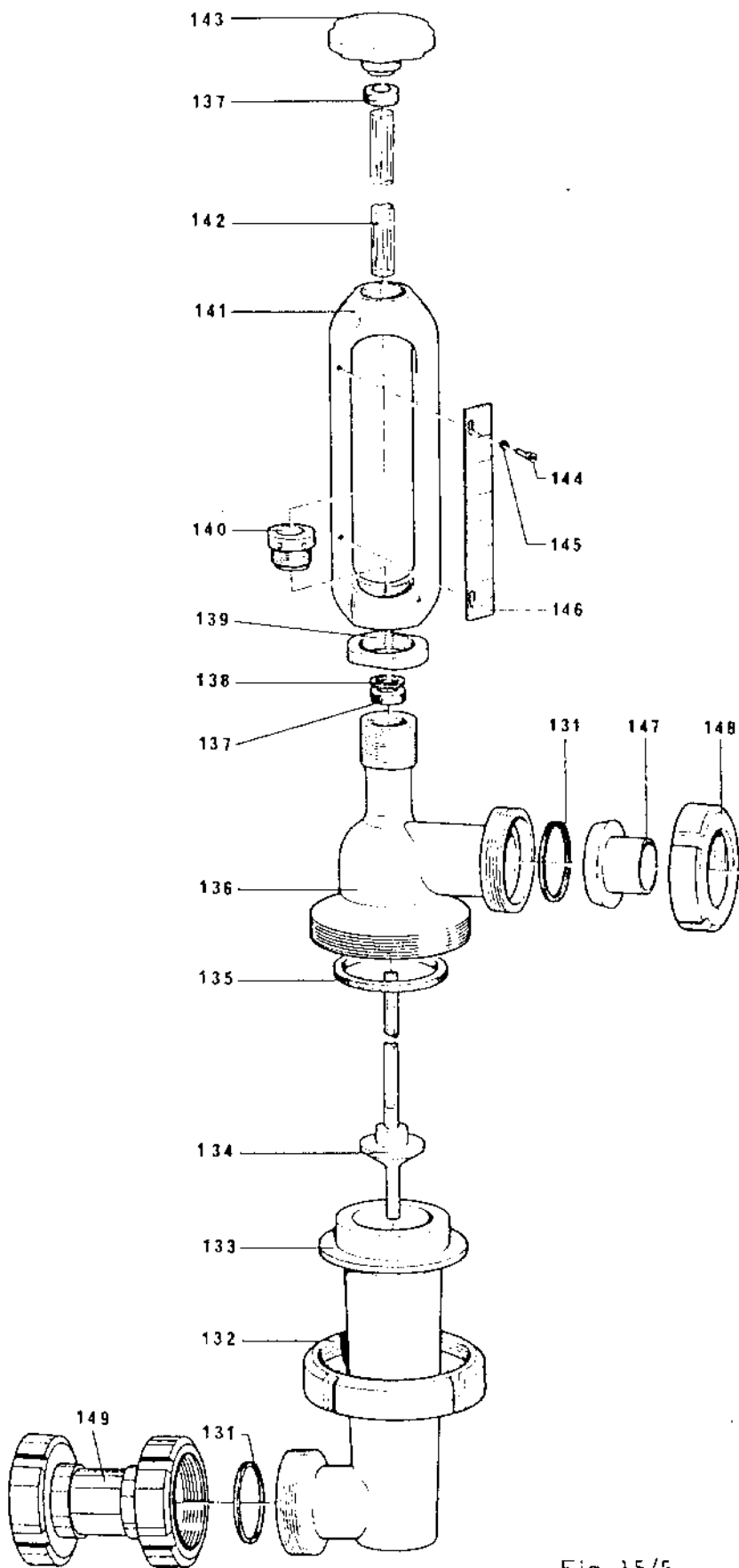


Fig. 15/5

# Flowmeter

No. in Fig.	Part - No.		Qty.	Part Description
	Measuring range			
	2,000-10,000 l/h	6,000-30,000 l/h		
-	8021-2100-090	8022-2100-080	1	Flowmeter assembly (131-146)
131	0007-2210-750	-	2	Gasket DIN 11851 - G 40
131	-	0007-2211-750	2	Gasket DIN 11851 - G 50
132	0013-2846-300	-	1	Grooved coupling nut DIN 11851 - F 65
132	-	0013-2847-300	1	Grooved coupling nut DIN 11851 - F 90
133	8021-2001-150	8022-2001-110	1	Inlet cup
134	8021-2112-010	8022-2112-000	1	Float cone
135	0007-2279-750	-	1	Gasket 56/68 x 6
135	-	0007-2341-750	1	Gasket 85/95 x 6
136	8021-2003-120	8022-2003-080	1	Discharge pipe
137	0007-2298-750	0007-2298-750	2	Gasket 13.5/22 x 10
138	0026-1375-300	0026-1375-300	1	Washer
139	0013-3010-300	0013-3010-300	1	Nut M 35 x 1.5
140	0019-1380-300	0019-1380-300	1	Threaded bush
141	8020-2002-000	8022-2002-000	1	Intermediate piece
142	0001-0083-820	0001-0082-820	1	Cylindrical sight glass
143	0019-1732-400	0019-1732-400	1	Handle screw
144	0019-2478-300	0019-2478-300	2	Cheese head screw DIN 85 - M 4x8
145	0004-5261-720	0004-5261-720	2	Gasket 4.8 x 9.0 x 1
146	8021-2117-000	-	1	Scale 2,000 - 10,000 l/h
146	-	8022-2117-000	1	Scale 6,000 - 30,000 l/h
147	0018-3949-400	0018-3956-400	1	Cone connection
148	0013-2844-400	0013-2845-400	1	Grooved coupling nut
149	1033-2166-030	3145-2166-010	1	Connection piece

# DRIVE

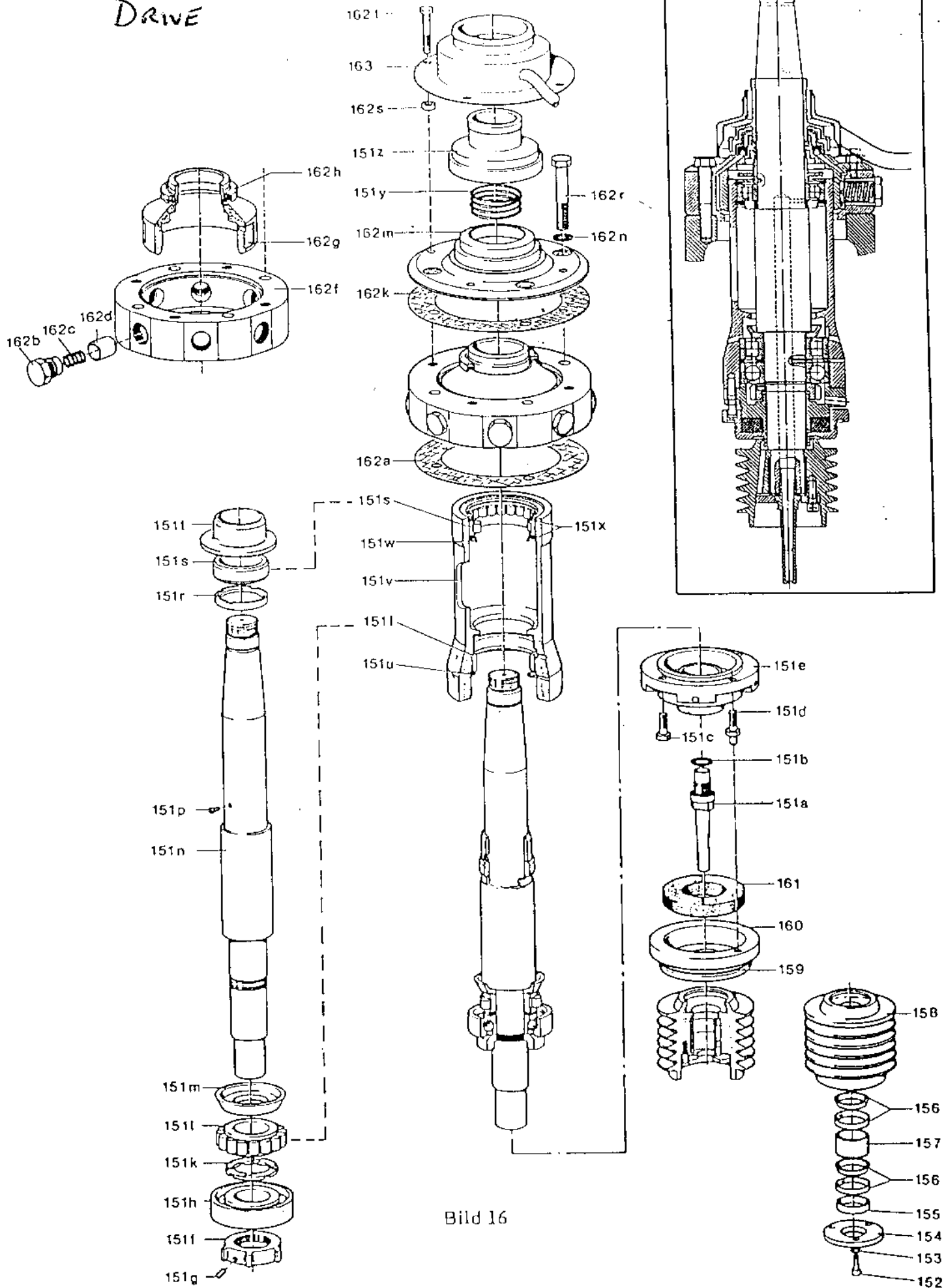


Bild 16

Drive

No. in Fig.	Part - No.	Qty.	Part Description
-	3266-3300-000	1	Drive assembly (100-103, 151a-163)
-	3266-3429-000	1	Spindle assembly (151a-z)
151a	3266-3422-000	1	Suction pipe
151b	0004-2140-750	1	Gasket 24/31 x 4
151c	0019-6937-150	3	Hex head screw DIN 933 - M 10x30 - 8.8
151d	0019-1451-090	1	Hex head screw M 10x30 - 5.6
151e	2315-3375-020	1	Bearing cover
151f	2315-3308-020	1	Threaded ring
151g	0019-8967-150	1	Threaded pin DIN 914 - AM 6x16 - 10.9
151h	0011-7311-100	1	Angular contact ball bearing 7311 BEM/P6 DIN 628
151k	2315-3419-010	1	Ring
151l	0011-0311-080	1	Cylindrical roller bearing N 311 EC MB/P6 DIN 5412
151m	0008-6511-060	1	Oil splash ring
151n	3145-3411-010	1	Spindle
151p	0019-6309-150	1	Stud M 6x12 - 8.8
151r	0008-6512-070	1	Ring
151s	0011-0213-070	1	Cylindrical roller bearing NU 213 EC MA/P63 DIN 5412
151t	0008-6514-000	1	Ring
151u	2315-3419-000	1	Ring
151v	2315-3131-050	1	Bearing housing
151w	2315-3419-020	1	Ring
151x	0026-5845-170	2	Securing ring
151y	0006-4310-160	1	Cylindrical pressure spring
151z	0008-6501-600	1	Spindle cap
152	0019-6146-150	3	Allen screw DIN 912 - M 10x35 - 8.8
153	0026-1337-190	3	Lock washer DIN 127 - A 10
154	0026-2063-060	1	Clamp disc
155	0026-5971-060	1	Distance sleeve
156	0026-5983-060	2	Set of conical clamp rings
157	0026-5972-060	1	Distance sleeve
158	2315-3352-040	1	*** V-belt pulley { 3,600 rpm of motor 5,000 rpm of bowl
158	2315-3352-030	1	*** V-belt pulley { 3,000 rpm of motor 5,000 rpm of bowl
159	0007-2642-750	1	Gasket 132/3
160	2315-3435-000	1	Pressure ring
161	0021-3020-750	1	Rubber cushion
-	0008-6520-270	1	Neck bearing assembly with covering (162a-u)
162a	0004-5478-770	1	Gasket 175/240 x 0.3
-	0008-6510-270	1	Neck bearing assembly (162b-g)
162b	0019-1426-150	8	Threaded plug
162c	0006-4256-080	1	Set of 8 neck bearing springs
162d	0026-2225-110	8	Spring piston
162f	0008-6506-050	1	Neck bearing bridge
162g	0008-6507-280	1	Neck bearing pressure ring
162h	0004-2522-830	1	Sealing ring A 90x115x12
162k	0004-5479-770	1	Gasket 185/260 x 0.3
162m	0008-6502-060	1	Neck bearing protection cap
162n	0004-5925-800	4	Gasket M16
162r	0019-6616-150	4	Hex head screw DIN 931 - M 16x100 - 8.8
162s	0026-5723-030	4	Washer
162t	0019-6519-400	2	Hex head screw DIN 931 - M 10x75 - 8.8
162t	0019-6937-400	2	Hex head screw DIN 933 - M 10x30 - 8.8
163	see no. 31d	1	Operating-water feed

\*\*\* Only valid for the stated speed.

# BOWL AND CENTRIPETAL PUMP

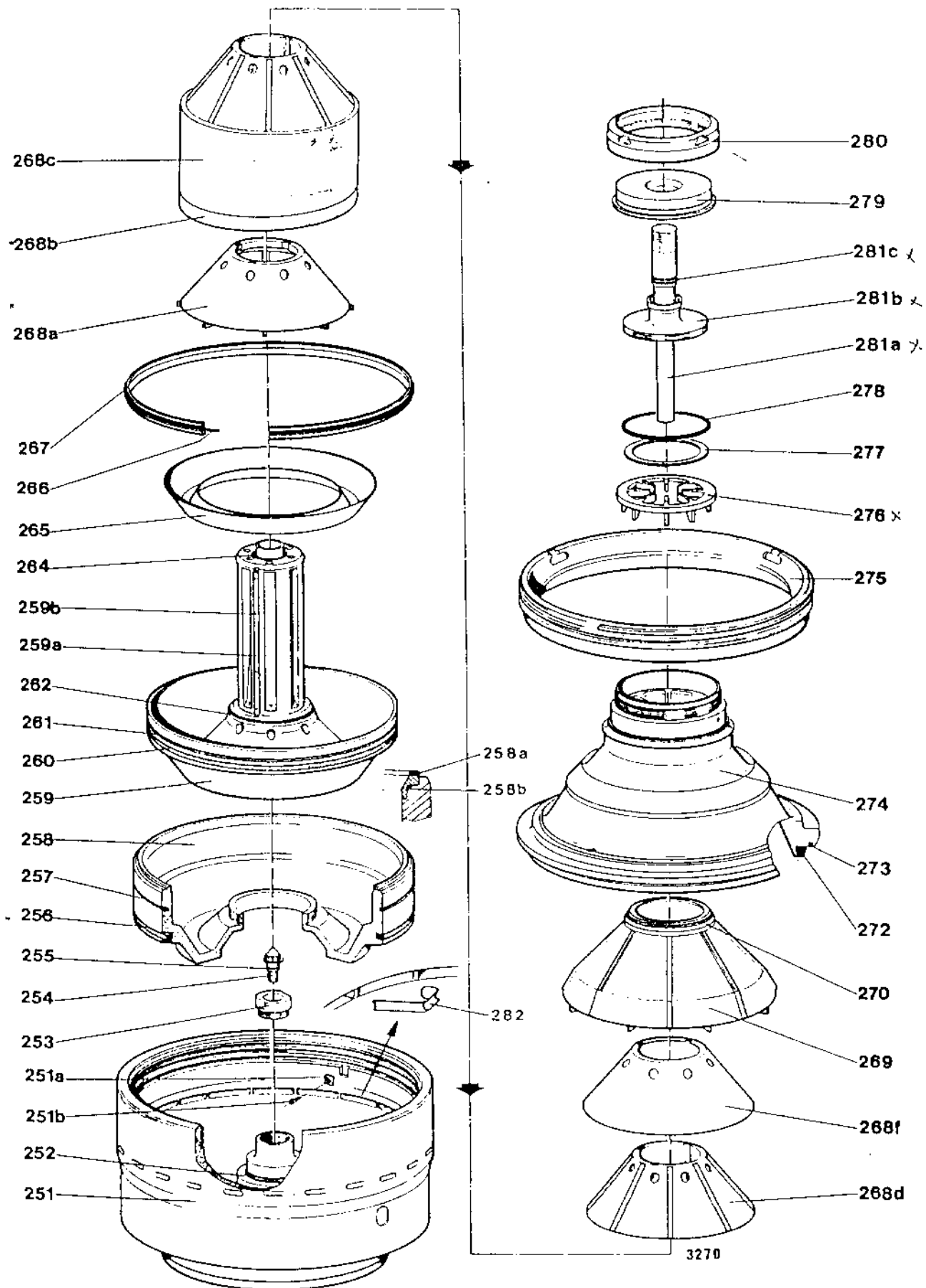


Fig. 19



# Bowl and Centripetal Pump

No.in Fig.	Part - No.	Qty.		Part Description
-	3270-6600-L	1		Bowl assembly (251-280)
251	3137-6604-L	1	*	Bowl bottom, complete
251a	3117-6609-010	1	+) )	Arresting piece
251b	0019-2233-400	1	+) )	Fillister head screw AM 5x12 DIN 84
252	0007-2600-750	1		Gasket 90/10
253	0019-1645-400	1		Threaded bush M 60x3
254	0019-0400-400	1		Spindle screw M 22x1.5 (left-hand thread)
255	0007-2924-750	1		Gasket 17.3/2.4
256	0007-2475-750	1		Gasket 536/560x12
257	0007-2805-850	1		Gasket 561/570x4.9
258	3145-6500-L	1		Sliding piston
258a	3145-6469-L	1	+) )	Ring
258b	0007-2542-750	1	+) )	Gasket 496/4
259	3145-6620-L	1	*	Distributor, complete
259a	0028-7470-400	3	+) )	Guide rib
259b	0019-0347-400	15	+) )	Countersunk screw M 4.5x8
260	0007-2474-750	1		Gasket 491/515x12
261	0007-2804-850	1		Gasket 512/521x4.9
262	0007-2064-750	1		Gasket 160/6
264	0007-2536-830	1		Gasket 57.2/5.7
265	3183-6487-000	1		Wear liner
266	0007-2547-750	1		Gasket 560/4
267	3185-6508-000	1		Retaining ring
-	3145-6660-L	1		Disc set (268a-f)
268a	3183-6662-L	1		Bottom disc (with thick ribs)
268b	3183-6662-L	1		Bottom disc
268c	3183-6663-L	1	**	Disc
268d	3145-6663-L	6		Disc (without rim)
268f	3145-6668-L	1		Compensating disc
269	3145-6650-060	1		Separating disc
270	0007-2020-750	1		Gasket 150/6
272	0007-1887-910	1		Gasket 530/557.6x18
273	0007-2547-750	1		Gasket 560/4
274	3145-6611-L	1	*	Bowl top
275	3183-6631-L	1	*	Lock ring
276	3145-6389-000	1		Spacing element
277	3226-6691-010	1		Set of regulating rings
278	0007-2029-750	1		Gasket 189,3/5,7
279	3145-6645-050	1		Centripetal pump chamber cover
280	3183-6631-030	1		Lock ring
-	3153-2213-020	1		Centripetal pump assembly (281a-c)
281a	3153-2259-010	1		Lower part of centripetal pump
281b	3153-2253-010	1		Upper part of centripetal pump
281c	0007-2730-750	2		Gasket 46.2/3
282	3145-6453-030	20		Wear liner (on special order)

\* This part can only be replaced by one of our service engineers or by a special repair shop authorized by us, because of special re-fitting to machine and possible re-balancing of bowl.

\*\* The number of discs depends on the intended use of the separator and on the thickness of the spacers.

+) This part is included in the preceding complete part, but it is also available as separate item.

# TOOLS

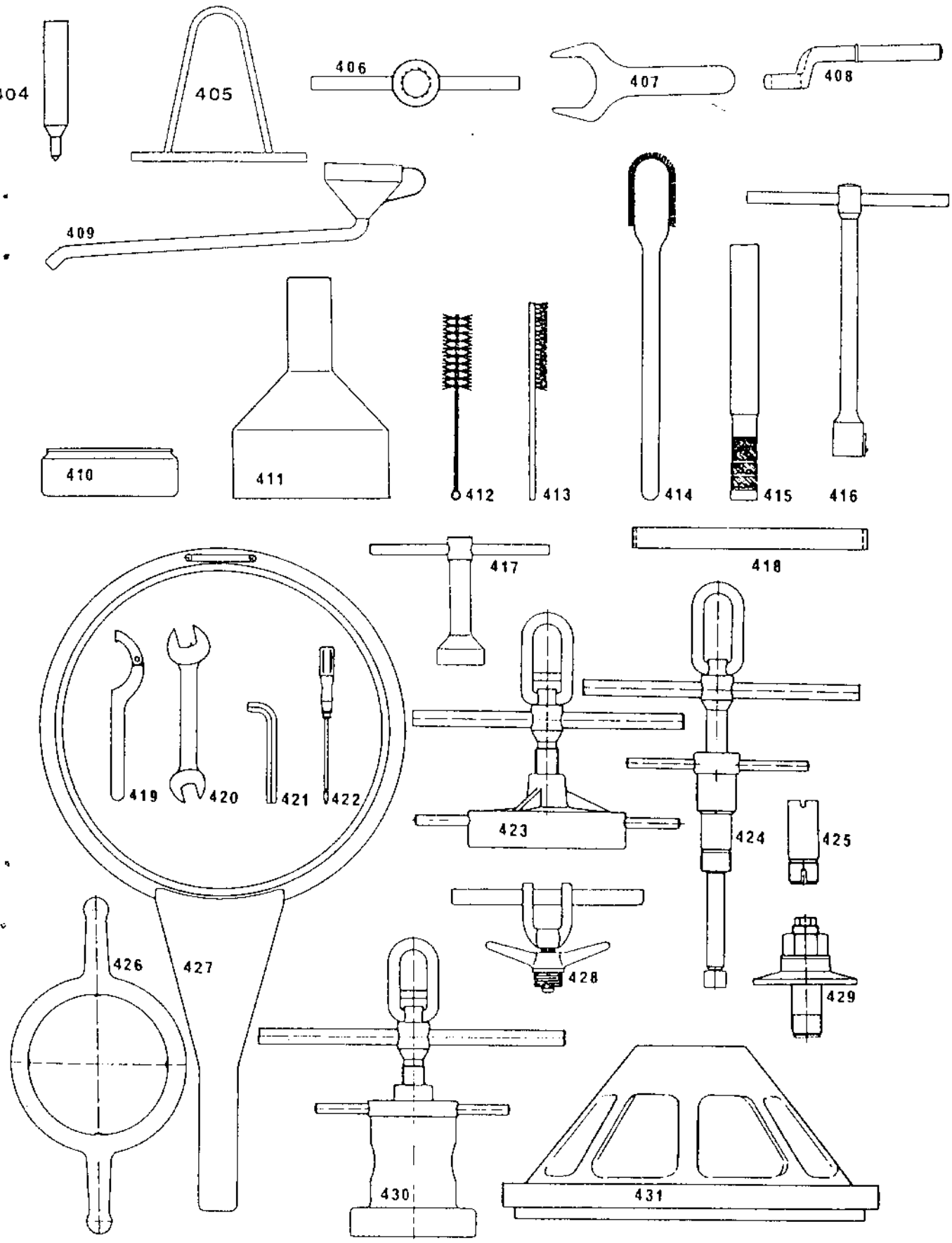


Fig. 20

## Tools and Accessories

All the parts mentioned in the packing list furnished with the separator should be found in the packing case.

No. in Fig.	Part - No.	Qty.	Part Description
404	3185-9838-000	1	Spindle (for removing the complete bowl)
405	1165-9840-010	1	Lifting device (for hood)
406	0984-9862-000	1	Lifting device for spindle
407	0003-4225-110	1	Single-ended wrench 75 (for oil pan)
408	0003-4296-110	1	Wrench 41 (for oil pan)
-	0003-4297-110	1	Wrench 60 (for compressing device)
409	0003-0161-010	1	Oil funnel
410	0003-0277-800	1	Oil cup
411	0003-0303-000	1	Splash cover
412	0003-4540-960	4	Cylindrical brush 10x 40x160
-	0003-4544-960	4	Cylindrical brush 15x85x285
-	0003-4551-800	1	Cylindrical brush 20x100x800
-	0003-4552-960	1	Cylindrical brush 45x110x270
413	0003-4690-960	1	Brush 35x125x285
414	0003-4695-960	1	Brush 70x100x500
415	0003-0200-000	1	Mallet
416	0003-4196-030	1	Wrench 27 (for spindle screw)
417	0003-4175-030	1	Wrench 60 (for threaded sleeve of spindle screw)
418	3260-9823-000	1	Ring (for removing the sliding piston)
419	0003-3845-000	1	Pivoted hook wrench 60/90
-	0003-3846-000	1	Pivoted hook wrench 90/155
420	0003-4202-320	1	Double-ended wrench 10x13 DIN 3110
-	0003-4205-320	1	Double-ended wrench 17x19 DIN 3110
-	0003-4208-320	1	Double-ended wrench 22x27 DIN 3110
-	0003-4209-320	1	Double-ended wrench 24x30 DIN 3110
421	0003-3773-320	1	Allen wrench 3 DIN 911
-	0003-3776-320	1	Allen wrench 6 DIN 911
-	0003-3777-320	1	Allen wrench 8 DIN 911
422	0003-4636-050	1	Screwdriver 4.5x125
-	0003-4637-050	1	Screwdriver 8x150
423	3183-9850-000	1	Jack (for bowl top)
424	3183-9970-020	1	Jack (for distributor)
425	3183-9829-020	1	Threaded bolt (for item 423)
426	0003-4001-000	1	Annular wrench 221 (for centripetal pump chamber lock ring)
427	0003-0356-000	1	Annular wrench 490/572 (for bowl lock ring)
428	2237-9930-000	1	Jack (for bowl bottom)
429	3220-9820-000	1	Disc stack compressing device
430	3145-9960-020	1	Jack (for sliding piston)
431	3264-9967-010	1	Guide piece (for item 424)
-	0015-0001-080	4	2.5-litre can of separator lubricating oil CLP 46
-	0015-0113-010	2	Tube of grease KSB 8

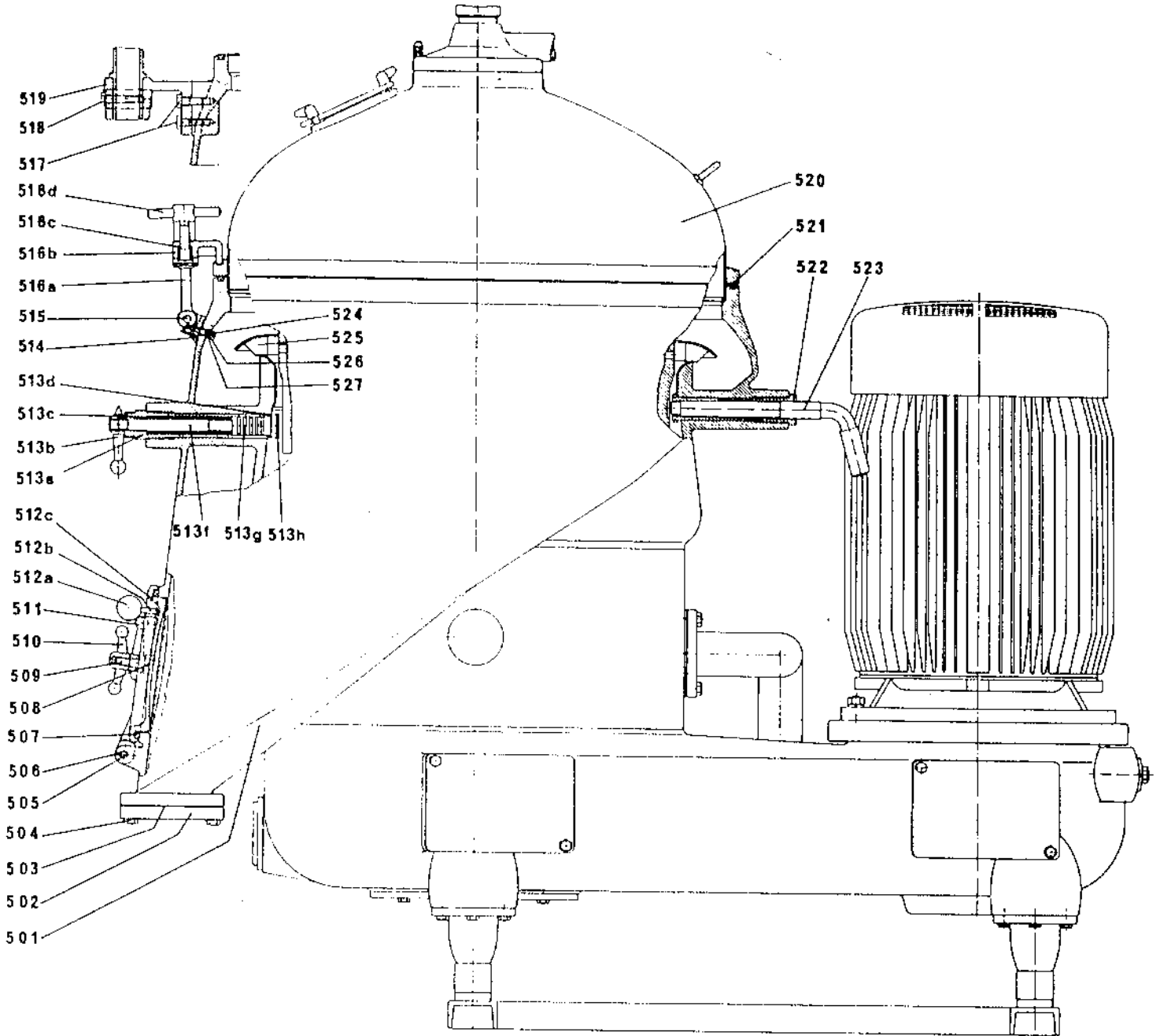


Fig. 21

(with sediment collector of cast iron)

The parts list of separator model SA 45-03-177 (pages 13/1 - 20/1) also applies to model SA 45-03-107, except for the parts listed below.

No.in Fig.	Part - No.	Qty.	Part Description
501	3145-1019-000	1	Sediment collector
502	0001-0389-000	1	Flange
503	0004-2091-700	1	Gasket 166x250x2
504	0019-6534-090	4	Hex-head screw M12x40 DIN 931
505	0026-1121-030	1	Cylindrical pin 12h8x165
506	0019-5041-060	1	Threaded pin M6x10 DIN 553
507	0007-2119-750	1	Gasket 218/245x8
508	0026-5688-060	2	Cylindrical pin 6m6x32 DIN 7
509	3111-1104-000	2	Threaded bolt
510	0013-2020-640	2	Handle nut M12
511	0958-1106-010	2	Locking lever
-	3111-1060-010	1	Cover assembly (512a-c)
512a	8142-5773-000	1	Handle
512b	3111-1108-000	1	Threaded pin
512c	3111-1061-010	1	Cover
-	3111-1043-000	2	Brake assembly (513a-h)
513a	3111-1037-000	2	Sleeve
513b	0021-3514-690	2	Handle
-	0026-1565-120	2	Cylindrical notched pin (for 513b)
513c	0006-4147-160	2	Cylindrical pressure spring
513d	0007-2246-750	2	Gasket 30/38x4
513f	3120-1039-000	2	Brake bolt
513g	3111-1031-000	2	Brake shoe assembly
513h	0021-4097-850	2	* Brake lining
-	0026-5526-550	24	* Countersunk rivet A 4x16 DIN 7338
514	0984-1096-000	4	Hinge piece
515	0026-5704-400	4	Cylindrical pin 12h8x50 DIN 7
-	3145-1127-010	4	Hinge screw assembly with claw (516a-d)
516a	0019-0627-040	4	Hinge screw
516b	3145-1130-000	4	Claw
516c	0006-4167-500	4	Cylindrical pressure spring
516d	0013-3082-100	4	Handle nut
517	0019-6533-300	2	Hex-head screw M 12x35 DIN 931
518	0019-6537-150	1	Hex-head screw M 12x55 DIN 931
519	3033-1145-000	1	Bracket for feed line support
520	3145-7759-L	1	Hood assembly
521	0004-2365-758	1	Packing cord 10x10x2630
522	0019-0784-640	2	Threaded bush
523	0019-0521-160	2	Lock screw
524	0019-6125-150	8	Allen screw M 8x30 DIN 912
525	3145-1794-030	1	Baffle plate
526	0026-1345-300	8	Washer 8.4 DIN 125
527	0004-1918-590	16	Gasket 8/13x2

\* This part is included in brake shoe assembly 513g, but it is also available as separate item.