



Parts Catalogue

Model:	RSE 220-01-777
Serial-No.:	1728-741
Bowl S/N:	1728-741
Order-No.:	121681749 / 001000

Mechanical Separation Technology

GEA Westfalia Separator Production GmbH

Werner-Habig-Straße 1 - D-59302 Oelde

Tel.: +49 2522 77-0 - Fax: +49 2522 77-2488

Ws.production@geagroup.com - www.westfalia-separator.com

This order-specific parts catalogue

- forms the basis and is decisive for your spare parts order,
- replaces the standard parts list in the manual supplied with theseparator.

Use of non-genuine spare parts



Use only genuine spare parts from Westfalia Separator.

The use of non-genuine spare parts leads to:

- safety risks,
- reduced durability of these parts,
- reduced availability of the separator and
- increased service requirement.

**If a safety risk occurs when using non-original spare parts, this may have legal consequences for the responsible persons.
In such cases, Westfalia Separator accepts no liability or warranty claims.**

Guide to ordering spare parts

A rapid and correct supply of spare parts can only be guaranteed if your order includes the following details:

- Type see name-plate
- Serial-No. see name-plate
- Designation see order-specific parts catalogue
- Part Number see order-specific parts catalogue

Only when ordering spare parts for bowls:

- Bowl S/N: If it differs from the serial number of the machine, the bowl serial number is engraved on the bowl lock ring, bowl bottom and bowl top.

Only required when ordering spare parts for pump and pump connection parts:

- Model and number of pump see pump nameplate

The information provided must be complete to avoid incorrect deliveries.

PARTS CATALOG

ORDER-NO :	121681749	MACHINE SERIAL-NO :	1728-741	PLANT SERIAL-NO. :	
Main Item	001000	BOWL SERIAL-NO :	1728-741	CONVEYOR SCREW SERIAL-NO:	
TYPE :	RSE 220-01-777	CONTROL CABINET SIN :			
MATERIAL-NO. :	9987-0209-450				

Sheet: 3

Explanation

ET-Zeich.-Nr. = Spare part drawing no.

Aufl. in ET-Znr. = Breakdown in the spare part drawing. The respective assembly is shown in more detail in the stated spare part drawing.

POS = Pos. no. of the spare part drawing.

QTY. = Quantity related to the unit of quantity (ME), e.g. 1,00 for 1 piece or 1 set.

ME = Unit of quantity

ST	= Piece		
MM	= Millimeter	CM	= Centimeter
DM	= Decimeter	M	= Meter
GR	= Gram	KG	= Kilogram
DM3	= Cubic decimeter	M3	= Cubic meter
MM2	= Square millimeter	CM2	= Square centimeter
DM2	= Square decimeter	M2	= Square meter

ETS = Spare part code

1+2	= Part or assembly available.
3+4	= Part or assembly available to a limit extent. Contact manufacturer.
5	= Part or assembly also available as a set
6	= Variant part; stated in another place of the spare parts list.
7	= Part or assembly graphically shown; does not belong to the delivered version
9	= Part or assembly not available in this manufacturing stage.

PARTS CATALOG

ORDER-NO :	121681749	MACHINE SERIAL-NO :	1728-741	PLANT SERIAL-NO. :	
Main Item	001000	BOWL SERIAL-NO :	1728-741	CONVEYOR SCREW SERIAL-NO:	
TYPE :	RSE 220-01-777	CONTROL CABINET SIN :			
MATERIAL-NO. :	9987-0209-450				

Sheet: 4

Contents

Part-No.	Description	Sheet	SpareP Draw N
2298-1100-030	GESTELL VOLLST. FRAME, COMPL.	9	2298-4751-001
3306-1020-000	FUNDAMENTRAHMEN VOLLST. FOUNDATION FRAME, COMPL.	18	3306-4751-001
3287-1350-030	OELRUECKLAUFGEHAEUSE VOLLST. OIL RETURN HOUSING, COMPL.	20	3287-4751-005
3306-1021-000	ZWISCHENFLANSCH VOLLST. INTERMEDIATE FLANGE, COMPL.	22	3306-4751-002
3287-2775-000	SIPHON VOLLST. SIPHON, CPL.	24	3287-4752-000
2299-2832-000	KOMPENSATOR VOLLST. COMPENSATOR, COMPL.	26	2299-4752-000
3306-3300-010	GETRIEBE VOLLST. GEAR, COMPL.	28	3306-4753-002
3306-3429-030	SPINDEL VOLLST. SPINDLE, COMPL.	32	3306-4753-001
5890-5488-189	DREHSTROMMOTOR THREE-PHASE AC MOTOR	35	
0024-6073-000	SCHILD PLATE	36	

PARTS CATALOG

ORDER-NO :	121681749	MACHINE SERIAL-NO :	1728-741	PLANT SERIAL-NO. :	
Main Item :	001000	BOWL SERIAL-NO :	1728-741	CONVEYOR SCREW SERIAL-NO:	
TYPE :	RSE 220-01-777	CONTROL CABINET SIN :			
MATERIAL-NO. :	9987-0209-450				

Sheet: 5

Contents

Part-No.	Description	Sheet	SpareP Draw N
0024-6424-000	SCHILD PLATE	37	
0024-6103-000	KLEBESCHILD ADHESIVE PLATE	38	
3306-7759-010	HAUBE VOLLST. HOOD, COMPL.	39	3306-4757-000
2298-2213-040	DOPPELGREIFER VOLLST. DOUBLE CENTRIPETAL PUMP, COMPL.	42	2298-4752-002
2298-2296-190	SCHLEUDERGUTANSCHLUSS VOLLST. FEED AND DISCHARGE CONNECTIONS,CPL.	45	2298-4752-020
2298-2002-090	SCHAUGLASGEHAEUSE VOLLST. SIGHT GLASS HOUSING, COMPL.	51	2298-4752-011
2298-6600-170	TROMMEL VOLLST. BOWL, COMPL.	53	2298-4756-005
3395-6280-020	VENTIL VOLLST. VALVE, COMPL.	58	3395-4756-002
2335-6660-010	TELLEREINSATZ VOLLST. DISC STACK, COMPL.	60	2335-4756-000
2298-6462-000	HUELSE SLEEVE	62	

PARTS CATALOG

ORDER-NO :	121681749	MACHINE SERIAL-NO :	1728-741	PLANT SERIAL-NO. :	
Main Item	001000	BOWL SERIAL-NO :	1728-741	CONVEYOR SCREW SERIAL-NO:	
TYPE :	RSE 220-01-777	CONTROL CABINET SIN :			
MATERIAL-NO. :	9987-0209-450				

Sheet: 6

Contents

Part-No.	Description	Sheet	SpareP Draw N
2298-2110-130	SATZ ROHRANSCHLUSSTEILE SET OF PIPE CONNECTION PARTS	63	
2298-2110-030	SATZ ROHRANSCHLUSSTEILE SET OF PIPE CONNECTION PARTS	64	
8134-2105-690	STEUERWASSERANSCHLUSS M.SCHUTZK.V. OPERAT.WATER CONNECTION W.CAP,CPL.	65	8134-4752-097
0018-1742-650	WASSERDRUCKMINDERER WATER PRESSURE REDUCER	68	8134-4751-004
8134-2219-190	STEUERLEITUNG VOLLST. CONTROL LINE, COMPL.	70	8134-4752-012
2298-9900-030	SATZ WERKZEUGE SET OF TOOLS	72	2298-4759-005
1165-9895-030	STECKSCHLUESSEL VOLLST. SOCKET WRENCH, COMPL.	77	1165-4759-002
1250-9960-000	AUSHEBEVORRICHTUNG VOLLST. LIFTING DEVICE CPL.	79	1250-4759-002
1165-9964-020	GEWINDESPINDEL VOLLST. THREADED SPINDLE, COMPL.	81	1165-4759-001
2298-9970-000	AUSHEBEVORRICHTUNG VOLLST. LIFTING DEVICE CPL.	83	2298-4759-003

PARTS CATALOG

ORDER-NO :	121681749	MACHINE SERIAL-NO :	1728-741	PLANT SERIAL-NO. :	
Main Item	001000	BOWL SERIAL-NO :	1728-741	CONVEYOR SCREW SERIAL-NO:	
TYPE :	RSE 220-01-777	CONTROL CABINET SIN :			
MATERIAL-NO. :	9987-0209-450				

Sheet: 7

Contents

Part-No.	Description	Sheet	SpareP Draw N
3289-9800-020	ABZIEHVORRICHTUNG VOLLST. PULLING DEVICE, COMPL.	85	3289-4759-005
2298-9820-000	PRESSVORRICHTUNG VOLLST. COMPRESSING DEVICE, COMPL.	87	2298-4759-002
1235-9770-000	HYDRAULIK VOLLST. HYDRAULIC UNIT, COMPL.	89	1231-4759-000
3306-9970-000	AUSHEBEVORRICHTUNG VOLLST. LIFTING DEVICE CPL.	93	3306-4759-002
3370-9800-020	ABZIEHVORRICHTUNG VOLLST. PULLING DEVICE, COMPL.	95	3370-4759-001
2298-9860-000	MONTAGEVORRICHTUNG VOLLST. MOUNTING TOOL, COMPL.	97	2298-4759-007
3306-9901-020	SATZ ZUBEHOERTEILE I SET OF ACCESSORIES I	99	
9390-0001-386	SATZ ERSATZTEILE I SET OF SPARE PARTS I	100	
2336-9001-000	BETRIEBSANLEITUNG INSTRUCTION MANUAL	104	
9953-9001-005	SICHERHEITSHINWEISE SAFETY INSTRUCTIONS	105	

PARTS CATALOG

ORDER-NO :	121681749	MACHINE SERIAL-NO :	1728-741	PLANT SERIAL-NO. :	
Main Item	001000	BOWL SERIAL-NO :	1728-741	CONVEYOR SCREW SERIAL-NO:	
TYPE :	RSE 220-01-777	CONTROL CABINET SIN :			
MATERIAL-NO. :	9987-0209-450				

Sheet: 8

Contents

Part-No.	Description	Sheet	SpareP Draw N
8134-9000-700	BETRIEBSANLEITUNG U.ERSATZTEILLISTE INSTRUCTION MANUAL AND PARTS LIST	106	

PARTS CATALOG

ORDER-NO : 121681749 MACHINE SERIAL-NO : 1728-741
 Main Item 001000 BOWL SERIAL-NO : 1728-741
 TYPE : RSE 220-01-777 CONTROL CABINET SIN :
 MATERIAL-NO. : 9987-0209-450

PLANT SERIAL-NO. :
 CONVEYOR SCREW SERIAL-NO:

Sheet: 9

SpareP	Draw N	Pos	Part-No.	Description	Qty	UN	ETS	AUFL.IN ET- ZEICH.NR.
			2298-1100-030	GESTELL VOLLST. FRAME, COMPL.	1,000	PC	1	
		0010	3287-1006-020	GESTELLUNTERTEIL VOLLST. LOWER SECTION OF FRAME, COMPL.	1,000	PC	2	
		0020	3306-1020-000	FUNDAMENTRAHMEN VOLLST. FOUNDATION FRAME, COMPL.	1,000	PC	1	3306-4751-001
		0030	0019-7098-150	SECHSKANTSCHRAUBE HEX HEAD SCREW	1,000	PC	2	
		0040	3287-1345-010	OELWANNENOBERTeil UPPER PART OF OIL SUMP	1,000	PC	2	
		0050	0019-6935-300	SECHSKANTSCHRAUBE HEX HEAD SCREW	2,000	PC	2	
		0060	3287-1347-000	OELRUECKLAUFROHR GESCHW. OIL-RETURN PIPE, WELDED	1,000	PC	2	
		0070	0019-6093-300	ZYLINDERSCHRAUBE ALLEN SCREW	4,000	PC	2	
		0080	0007-2637-830	DICHTRING GASKET	1,000	PC	2	
		0090	3287-1343-000	OELWANNENUNTERTEIL LOWER PART OF OIL SUMP	1,000	PC	2	
		0100	0019-6938-400	SECHSKANTSCHRAUBE HEX HEAD SCREW	4,000	PC	2	
		0110	0007-1798-550	DICHTRING GASKET	1,000	PC	2	

PARTS CATALOG

ORDER-NO : 121681749 MACHINE SERIAL-NO : 1728-741
 Main Item 001000 BOWL SERIAL-NO : 1728-741
 TYPE : RSE 220-01-777 CONTROL CABINET SIN :
 MATERIAL-NO. : 9987-0209-450

PLANT SERIAL-NO. :
 CONVEYOR SCREW SERIAL-NO:

Sheet: 10

SpareP	Draw N	Pos	Part-No.	Description	Qty	UN	ETS	AUFL.IN ET- ZEICH.NR.
		0120	0019-9124-400	VERSCHLUSSSCHRAUBE SCREW PLUG	1,000	PC	2	
		0130	0007-1945-830	DICHTRING GASKET	2,000	PC	2	
		0140	3287-1350-030	OELRUECKLAUFGEHAEUSE VOLLST. OIL RETURN HOUSING, COMPL.	1,000	PC	1	3287-4751-005
		0150	0004-2601-750	DICHTUNG GASKET	1,000	PC	2	
		0160	0001-0028-830	SCHAUGLAS SIGHT GLASS	1,000	PC	2	
		0170	0004-5056-780	DICHTUNG GASKET	1,000	PC	2	
		0180	3212-1124-040	FLANSCH FLANGE	1,000	PC	2	
		0190	0019-6134-300	ZYLINDERSCHRAUBE ALLEN SCREW	4,000	PC	2	
		0200	0018-3416-030	GERADE VERSCHRAUBUNG STRAIGHT UNION	1,000	PC	2	
		0210	0018-1523-400	HOECHSTDRUCKSCHLAUCH VOLLST. MAXIMUM PRESSURE HOSE, COMPL.	1,000	PC	1	
			0007-2874-750	DICHTRING GASKET	1,000	PC	2	
		0220	0018-1534-400	HOECHSTDRUCKSCHLAUCH VOLLST. MAXIMUM PRESSURE HOSE, COMPL.	2,000	PC	1	

PARTS CATALOG

ORDER-NO : 121681749 MACHINE SERIAL-NO : 1728-741 PLANT SERIAL-NO. :
 Main Item 001000 BOWL SERIAL-NO : 1728-741 CONVEYOR SCREW SERIAL-NO:
 TYPE : RSE 220-01-777 CONTROL CABINET SIN :
 MATERIAL-NO. : 9987-0209-450

Sheet: 11

SpareP	Draw N	Pos	Part-No.	Description	Qty	UN	ETS	AUFL.IN ET- ZEICH.NR.
			0007-2874-750	DICHTRING GASKET	2,000	PC	2	
		0230	3287-1203-000	ANSCHLUSSSTUECK GESCHW. CONNECTING PIECE, WELDED	1,000	PC	2	
		0240	0005-0202-630	VERSCHRAUBUNG SCREW COUPLING	2,000	PC	2	
		0250	0019-6903-300	SECHSKANTSCHRAUBE HEX HEAD SCREW	6,000	PC	2	
		0260	3306-1018-090	FESTSTOFFAENGER GESCHW. SOLIDS COLLECTOR, WELDED	1,000	PC	2	
		0265	0018-1355-400	VOLLKEGELDUESE FULL JET NOZZLE	1,000	PC	2	
		0270	0004-2508-400	USITRING USIT RING	16,000	PC	2	
		0280	0019-6971-400	SECHSKANTSCHRAUBE HEX HEAD SCREW	16,000	PC	2	
		0290	0004-1888-780	DICHTUNG GASKET	1,000	PC	2	
		0300	0018-2027-030	STUTZEN CONNECTOR	1,000	PC	2	
		0310	1250-1219-000	STEUERWASSERZUFUEHRUNG GESCHW. OPERATING-WATER FEEDING DEV., WELD.	1,000	PC	2	
		0320	0019-6540-300	SECHSKANTSCHRAUBE HEX HEAD SCREW	4,000	PC	2	

PARTS CATALOG

ORDER-NO : 121681749 MACHINE SERIAL-NO : 1728-741 PLANT SERIAL-NO. :
 Main Item 001000 BOWL SERIAL-NO : 1728-741 CONVEYOR SCREW SERIAL-NO:
 TYPE : RSE 220-01-777 CONTROL CABINET SIN :
 MATERIAL-NO. : 9987-0209-450

Sheet: 12

SpareP	Draw N	Pos	Part-No.	Description	Qty	UN	ETS	AUFL.IN ET- ZEICH.NR.
		0330	0004-1668-750	MANSCHETTE SEAL	1,000	PC	2	
		0340	3287-1157-000	RING RING	1,000	PC	2	
		0350	0013-0279-400	SECHSKANTMUTTER HEXAGON NUT	6,000	PC	2	
		0360	0004-2368-758	DICHTUNGSSCHNUR PACKING CORD	2,490	M	2	
		0370	0019-7614-400	STIFTSCHRAUBE STUD BOLT	2,000	PC	2	
		0380	3306-1191-000	SCHUTZBLECH GESCHW. GUARD, WELDED	1,000	PC	2	
		0390	0004-0729-400	USITRING USIT RING	12,000	PC	2	
		0400	0019-6907-400	SECHSKANTSCHRAUBE HEX HEAD SCREW	10,000	PC	2	
		0410	0013-0404-400	HUTMUTTER CAP NUT	2,000	PC	2	
		0420	3287-1157-010	RING RING	1,000	PC	2	
		0430	0019-6906-300	SECHSKANTSCHRAUBE HEX HEAD SCREW	6,000	PC	2	
		0440	0019-3906-400	SCHAFTSCHRAUBE STUD	1,000	PC	2	

PARTS CATALOG

ORDER-NO : 121681749 MACHINE SERIAL-NO : 1728-741
 Main Item 001000 BOWL SERIAL-NO : 1728-741
 TYPE : RSE 220-01-777 CONTROL CABINET SIN :
 MATERIAL-NO. : 9987-0209-450

PLANT SERIAL-NO. :
 CONVEYOR SCREW SERIAL-NO:

Sheet: 13

SpareP	Draw N	Pos	Part-No.	Description	Qty	UN	ETS	AUFL.IN ET- ZEICH.NR.
		0450	3306-1021-000	ZWISCHENFLANSCH VOLLST. INTERMEDIATE FLANGE, COMPL.	1,000	PC	1	3306-4751-002
		0460	3287-1161-000	STELLSCHRAUBE ADJUSTING-SCREW	1,000	PC	2	
		0470	3287-1079-000	PLATTE PLATE	1,000	PC	2	
		0480	0026-1330-300	FEDERRING LOCK WASHER	4,000	PC	2	
		0490	0019-6202-400	ZYLINDERSCHRAUBE ALLEN SCREW	4,000	PC	2	
		0500	0026-1358-400	SCHEIBE WASHER / DISK	1,000	PC	2	
		0510	0013-0005-400	SECHSKANTMUTTER HEXAGON NUT	1,000	PC	2	
		0520	0026-1564-300	KERBSTIFT NOTCHED PIN	1,000	PC	2	
		0530	3290-1085-010	LUEFTUNGSBLECH VENTILATING PLATE	3,000	PC	2	
		0540	0019-6931-400	SECHSKANTSCHRAUBE HEX HEAD SCREW	12,000	PC	2	
		0550	0007-2520-600	DICHTRING GASKET	1,000	PC	2	
		0560	3287-2775-000	SIPHON VOLLST. SIPHON, CPL.	1,000	PC	1	3287-4752-000

PARTS CATALOG

ORDER-NO : 121681749 MACHINE SERIAL-NO : 1728-741 PLANT SERIAL-NO. :
 Main Item 001000 BOWL SERIAL-NO : 1728-741 CONVEYOR SCREW SERIAL-NO:
 TYPE : RSE 220-01-777 CONTROL CABINET SIN :
 MATERIAL-NO. : 9987-0209-450

Sheet: 14

SpareP	Draw N	Pos	Part-No.	Description	Qty	UN	ETS	AUFL.IN ET- ZEICH.NR.
		0570	0004-2389-608	DICHTUNGSSCHNUR PACKING CORD	3,670	M	2	
		0580	0007-2208-600	DICHTRING GASKET	2,000	PC	2	
		0590	2299-2832-000	KOMPENSATOR VOLLST. COMPENSATOR, COMPL.	1,000	PC	1	2299-4752-000
		0600	0018-3462-400	VERSCHRAUBUNG SCREW COUPLING	1,000	PC	2	
		0610	0018-5818-400	SCHWEISSKEGEL WELDED CONE	1,000	PC	9	
			0007-2003-830	DICHTRING GASKET	1,000	PC	2	
		0620	0007-2003-830	DICHTRING GASKET	4,000	PC	2	
		0740	0000-0006-162	ENTFAELLT NOT APPLICABLE	1,000	PC	7	
		0750	0007-1859-600	DICHTRING GASKET	3,000	PC	2	
		0760	3306-1183-000	VERSCHLUSSSTOPFEN GESCHW. BLANKING PLUG, WELDED	1,000	PC	2	
		0770	0013-0404-400	HUTMUTTER CAP NUT	2,000	PC	2	
		0780	0024-4282-010	SATZ SCHILDER SET OF PLATES	1,000	PC	1	

PARTS CATALOG

ORDER-NO : 121681749 MACHINE SERIAL-NO : 1728-741 PLANT SERIAL-NO. :
 Main Item 001000 BOWL SERIAL-NO : 1728-741 CONVEYOR SCREW SERIAL-NO:
 TYPE : RSE 220-01-777 CONTROL CABINET SIN :
 MATERIAL-NO. : 9987-0209-450

Sheet: 15

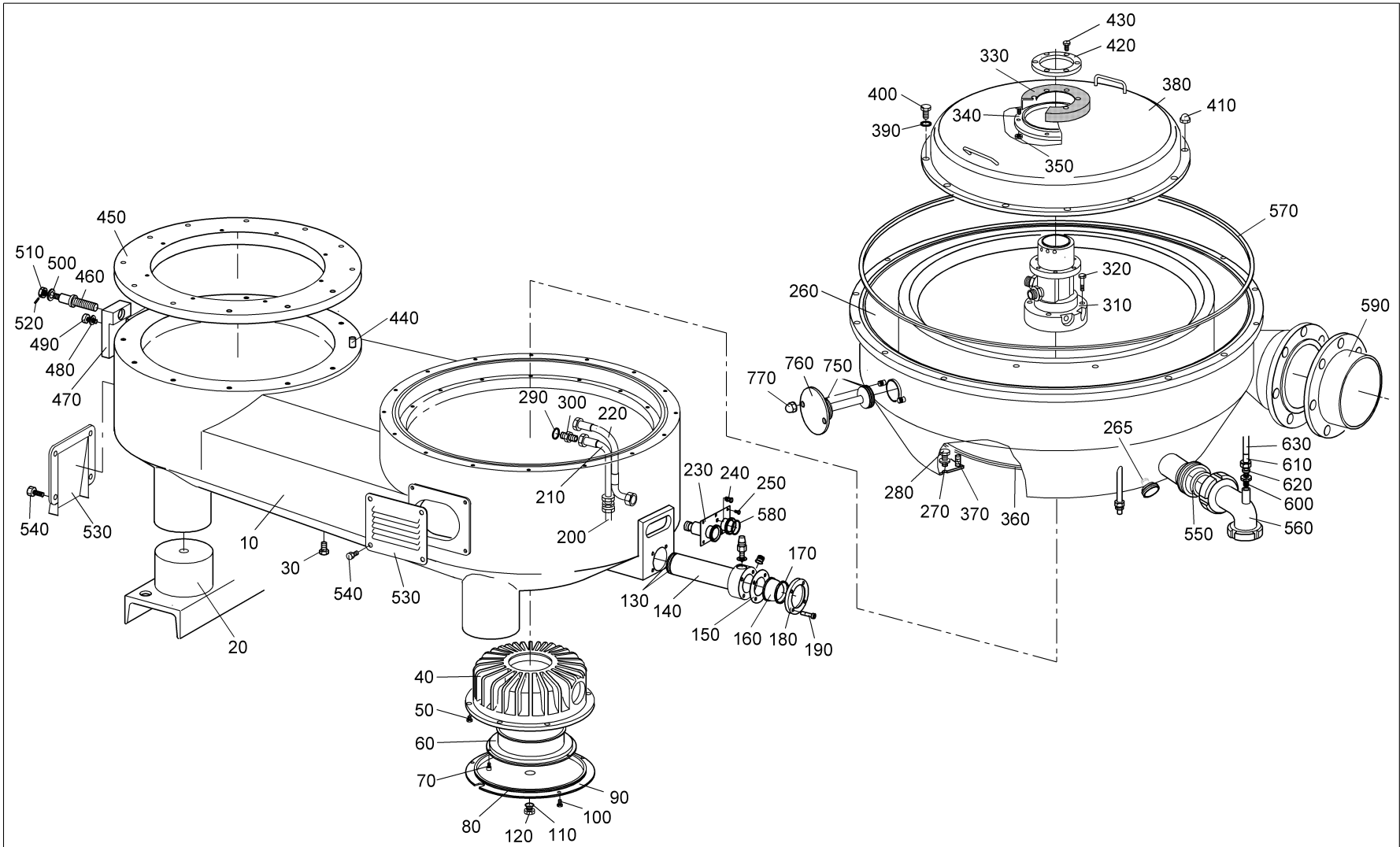
SpareP	Draw N	Pos	Part-No.	Description	Qty	UN	ETS	AUFL.IN ET- ZEICH.NR.
			0000-0006-162	ENTFAELLT NOT APPLICABLE	1,000	PC	7	
			0024-3323-010	SCHILD PLATE	1,000	PC	2	
			0024-3015-010	SCHILD PLATE	1,000	PC	2	
			0024-6426-000	SCHILD PLATE	1,000	PC	2	
			0024-3384-040	FIRMENSCHILD MAKER'S NAME-PLATE	1,000	PC	2	
			0024-3384-040	FIRMENSCHILD MAKER'S NAME-PLATE	1,000	PC	2	
			0024-3470-010	TYPENSCHILD TYPE PLATE	1,000	PC	2	
			0024-3160-010	TYPENSCHILD TYPE PLATE	2,000	PC	2	
			0000-0006-162	ENTFAELLT NOT APPLICABLE	1,000	PC	7	
			0024-3400-000	SCHILD PLATE	1,000	PC	2	
			0000-0006-162	ENTFAELLT NOT APPLICABLE	1,000	PC	7	
			0026-1571-300	KERBNAGEL NOTCHED NAIL	20,000	PC	2	

PARTS CATALOG

ORDER-NO : 121681749 MACHINE SERIAL-NO : 1728-741 PLANT SERIAL-NO. :
Main Item 001000 BOWL SERIAL-NO : 1728-741 CONVEYOR SCREW SERIAL-NO:
TYPE : RSE 220-01-777 CONTROL CABINET SIN :
MATERIAL-NO. : 9987-0209-450

Sheet: 16

SpareP	Draw N	Pos	Part-No.	Description	Qty	UN	ETS	AUFL.IN ET- ZEICH.NR.
			0024-3325-010	SCHILD PLATE	1,000	PC	2	
			0024-3478-010	SCHILD PLATE	1,000	PC	2	



Westfalia Separator AG

Datum:
24.02.2003

Zeichnungs-Nr.:
2298-4751-001

Blatt
1

1 Blätter

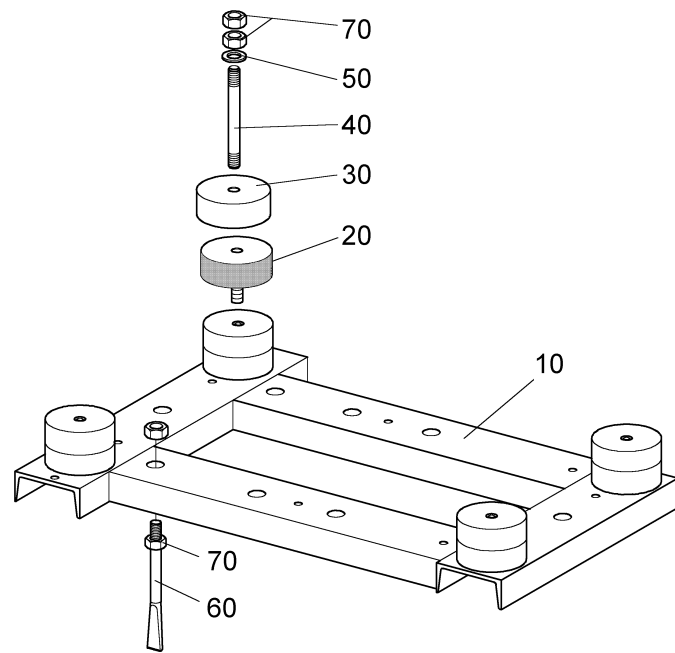
PARTS CATALOG

ORDER-NO : 121681749 MACHINE SERIAL-NO : 1728-741
 Main Item 001000 BOWL SERIAL-NO : 1728-741
 TYPE : RSE 220-01-777 CONTROL CABINET SIN :
 MATERIAL-NO. : 9987-0209-450

PLANT SERIAL-NO. :
 CONVEYOR SCREW SERIAL-NO:

Sheet: 18

SpareP	Draw N	Pos	Part-No.	Description	Qty	UN	ETS	AUFL.IN ET- ZEICH.NR.
			3306-1020-000	FUNDAMENTRAHMEN VOLLST. FOUNDATION FRAME, COMPL.	1,000	PC	1	
		0010	3287-1003-030	FUNDAMENTRAHMEN GESCHW. FOUNDATION FRAME, WELDED	1,000	PC	2	
		0020	0021-3152-768	RUNDLAGER RUBBER-METAL CUSHION	4,000	PC	2	
		0030	0026-2119-300	KAPPE CAP	4,000	PC	2	
		0040	0019-7401-150	STIFTSCHRAUBE STUD BOLT	4,000	PC	2	
		0050	0026-1335-300	SCHEIBE WASHER / DISK	4,000	PC	2	
		0060	0019-4868-000	STEINSCHRAUBE ANCHOR BOLT	10,000	PC	2	
		0070	0013-0282-300	SECHSKANTMUTTER HEXAGON NUT	28,000	PC	2	



Westfalia Separator AG

Datum:
17.11.2000

Zeichnungs-Nr.:
3306-4751-001

Blatt
1

1 Blätter

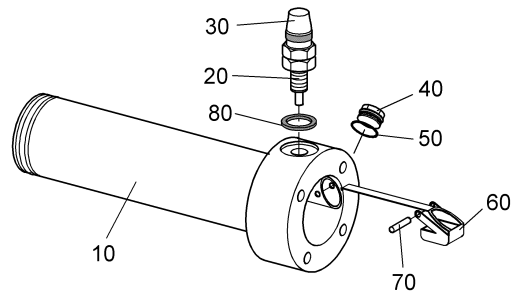
PARTS CATALOG

ORDER-NO : 121681749 MACHINE SERIAL-NO : 1728-741
 Main Item 001000 BOWL SERIAL-NO : 1728-741
 TYPE : RSE 220-01-777 CONTROL CABINET SIN :
 MATERIAL-NO. : 9987-0209-450

PLANT SERIAL-NO. :
 CONVEYOR SCREW SERIAL-NO:

Sheet: 20

SpareP	Draw N	Pos	Part-No.	Description	Qty	UN	ETS	AUFL.IN ET- ZEICH.NR.
	3287-4751-005		3287-1350-030	OELRUECKLAUFGEHAEUSE VOLLST. OIL RETURN HOUSING, COMPL.	1,000	PC	1	
		0020	0005-4530-010	NAEHERUNGSINITIATOR PROXIMITY SENSOR	1,000	PC	2	
		0030	0005-4134-000	KABELANSCHLUSSDOSE CABLE CONNECTION BOX	1,000	PC	2	
		0040	0019-9117-400	VERSCHLUSSSCHRAUBE SCREW PLUG	1,000	PC	2	
		0050	0007-1798-550	DICHTRING GASKET	1,000	PC	2	
		0060	3287-1352-000	WIPPE ROCKER	1,000	PC	2	
		0070	0026-0478-170	SPANNSTIFT SPRING DOWEL SLEEVE	1,000	PC	2	
		0080	0004-2754-400	USITRING USIT RING	1,000	PC	2	



Westfalia Separator AG

Datum:
08.11.2001

Zeichnungs-Nr.:
3287-4751-005

Blatt
1

1 Blätter

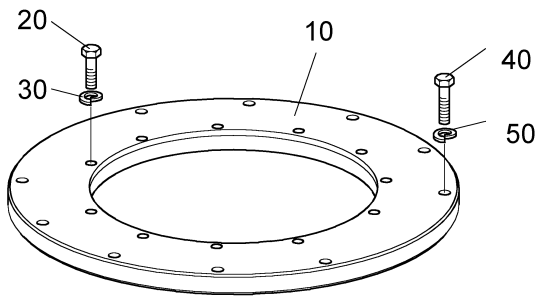
PARTS CATALOG

ORDER-NO : 121681749 MACHINE SERIAL-NO : 1728-741
 Main Item 001000 BOWL SERIAL-NO : 1728-741
 TYPE : RSE 220-01-777 CONTROL CABINET SIN :
 MATERIAL-NO. : 9987-0209-450

PLANT SERIAL-NO. :
 CONVEYOR SCREW SERIAL-NO:

Sheet: 22

SpareP	Draw N	Pos	Part-No.	Description	Qty	UN	ETS	AUFL.IN ET- ZEICH.NR.
	3306-4751-002		3306-1021-000	ZWISCHENFLANSCH VOLLST. INTERMEDIATE FLANGE, COMPL.	1,000	PC	1	
		0010	3287-1028-020	ZWISCHENFLANSCH INTERMEDIATE FLANGE	1,000	PC	2	
		0020	0019-7039-400	SECHSKANTSCHRAUBE HEX HEAD SCREW	8,000	PC	2	
		0030	0026-1330-300	FEDERRING LOCK WASHER	8,000	PC	2	
		0040	0019-6608-400	SECHSKANTSCHRAUBE HEX HEAD SCREW	10,000	PC	2	
		0050	0026-1335-400	SCHEIBE WASHER / DISK	10,000	PC	2	

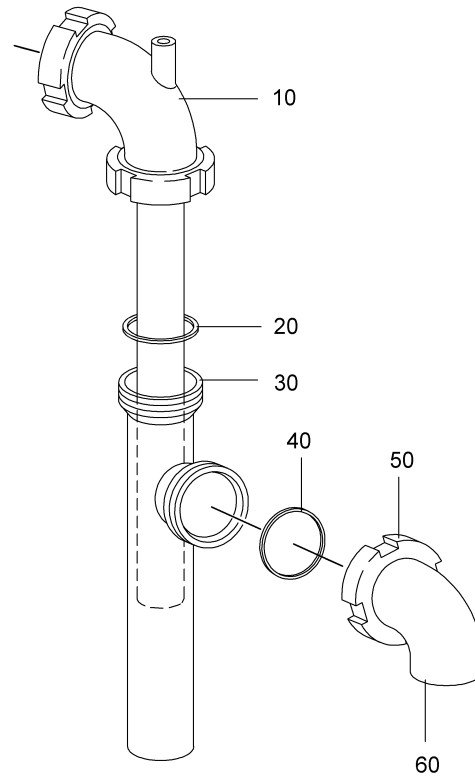


PARTS CATALOG

ORDER-NO : 121681749 MACHINE SERIAL-NO : 1728-741 PLANT SERIAL-NO. :
 Main Item 001000 BOWL SERIAL-NO : 1728-741 CONVEYOR SCREW SERIAL-NO:
 TYPE : RSE 220-01-777 CONTROL CABINET SIN :
 MATERIAL-NO. : 9987-0209-450

Sheet: 24

SpareP	Draw N	Pos	Part-No.	Description	Qty	UN	ETS	AUFL.IN ET- ZEICH.NR.
	3287-4752-000		3287-2775-000	SIPHON VOLLST. SIPHON, CPL.	1,000	PC	1	
		0010	3287-1122-000	ROHR VOLLST. PIPE, COMPL.	1,000	PC	2	
		0020	0007-2523-700	DICHTRING GASKET	1,000	PC	2	
		0030	3287-2774-000	SIPHON TOPF GESCHW. SIPHON JAR, WELDED	1,000	PC	2	
		0040	0007-2520-600	DICHTRING GASKET	1,000	PC	2	
		0050	0013-2851-300	NUTUEBERWURFMUTTER GROOVED COUPLING NUT	1,000	PC	2	
		0060	0018-1674-300	ROHRBOGEN PIPE BEND	1,000	PC	2	



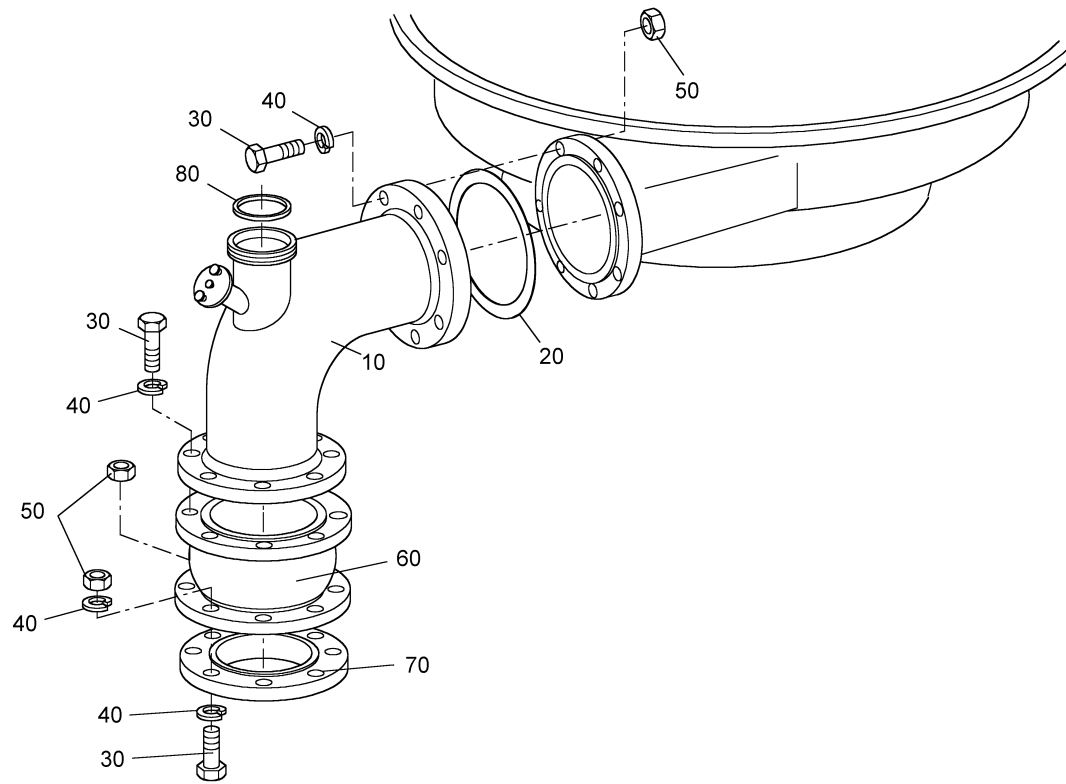
PARTS CATALOG

ORDER-NO : 121681749 MACHINE SERIAL-NO : 1728-741
 Main Item 001000 BOWL SERIAL-NO : 1728-741
 TYPE : RSE 220-01-777 CONTROL CABINET SIN :
 MATERIAL-NO. : 9987-0209-450

PLANT SERIAL-NO. :
 CONVEYOR SCREW SERIAL-NO:

Sheet: 26

SpareP	Draw N	Pos	Part-No.	Description	Qty	UN	ETS	AUFL.IN ET- ZEICH.NR.
	2299-4752-000		2299-2832-000	KOMPENSATOR VOLLST. COMPENSATOR, COMPL.	1,000	PC	1	
		0010	2299-1177-000	ROHRBOGEN GESCHW. PIPE BEND, WELDED	1,000	PC	2	
		0020	0004-2485-780	DICHTUNG GASKET	1,000	PC	2	
		0030	0019-6666-400	SECHSKANTSCHRAUBE HEX HEAD SCREW	24,000	PC	2	
		0040	0026-1332-300	FEDERRING LOCK WASHER	24,000	PC	2	
		0050	0013-0005-400	SECHSKANTMUTTER HEXAGON NUT	24,000	PC	2	
		0060	0018-6602-850	KOMPENSATOR COMPENSATOR	1,000	PC	2	
		0070	0001-0764-400	FLANSCH FLANGE	1,000	PC	2	
		0080	0007-2523-600	DICHTRING GASKET	1,000	PC	2	



Westfalia Separator AG

Datum:
3.9.2001

Zeichnungs-Nr.:
2299-4752-000

Blatt
1

1 Blätter

PARTS CATALOG

ORDER-NO : 121681749 MACHINE SERIAL-NO : 1728-741 PLANT SERIAL-NO. :
 Main Item 001000 BOWL SERIAL-NO : 1728-741 CONVEYOR SCREW SERIAL-NO:
 TYPE : RSE 220-01-777 CONTROL CABINET SIN :
 MATERIAL-NO. : 9987-0209-450

Sheet: 28

SpareP	Draw N	Pos	Part-No.	Description	Qty	UN	ETS	AUFL.IN ET- ZEICH.NR.
			3306-3300-010	GETRIEBE VOLLST. GEAR, COMPL.	1,000	PC	1	
		0010	3306-3429-030	SPINDEL VOLLST. SPINDLE, COMPL.	1,000	PC	1	3306-4753-001
		0020	3287-3516-000	BOLZEN BOLT	4,000	PC	2	
		0030	0019-6664-400	SECHSKANTSCHRAUBE HEX HEAD SCREW	4,000	PC	2	
		0040	3287-3419-000	RING RING	4,000	PC	2	
		0050	0021-3372-750	ULTRA-BUCHSE RUBBER-METAL BUSH	4,000	PC	2	
		0060	3287-3419-010	RING RING	4,000	PC	2	
		0070	0021-3147-770	RUNDLAGER RUBBER-METAL CUSHION	20,000	PC	2	
		0080	0019-6935-300	SECHSKANTSCHRAUBE HEX HEAD SCREW	20,000	PC	2	
		0090	0013-0279-300	SECHSKANTMUTTER HEXAGON NUT	20,000	PC	2	
		0100	3371-3367-010	STUETZSCHEIBE SUPPORTING DISK	1,000	PC	2	
		0110	0019-6539-150	SECHSKANTSCHRAUBE HEX HEAD SCREW	16,000	PC	2	

PARTS CATALOG

ORDER-NO : 121681749 MACHINE SERIAL-NO : 1728-741
 Main Item 001000 BOWL SERIAL-NO : 1728-741
 TYPE : RSE 220-01-777 CONTROL CABINET SIN :
 MATERIAL-NO. : 9987-0209-450

PLANT SERIAL-NO. :
 CONVEYOR SCREW SERIAL-NO:

Sheet: 29

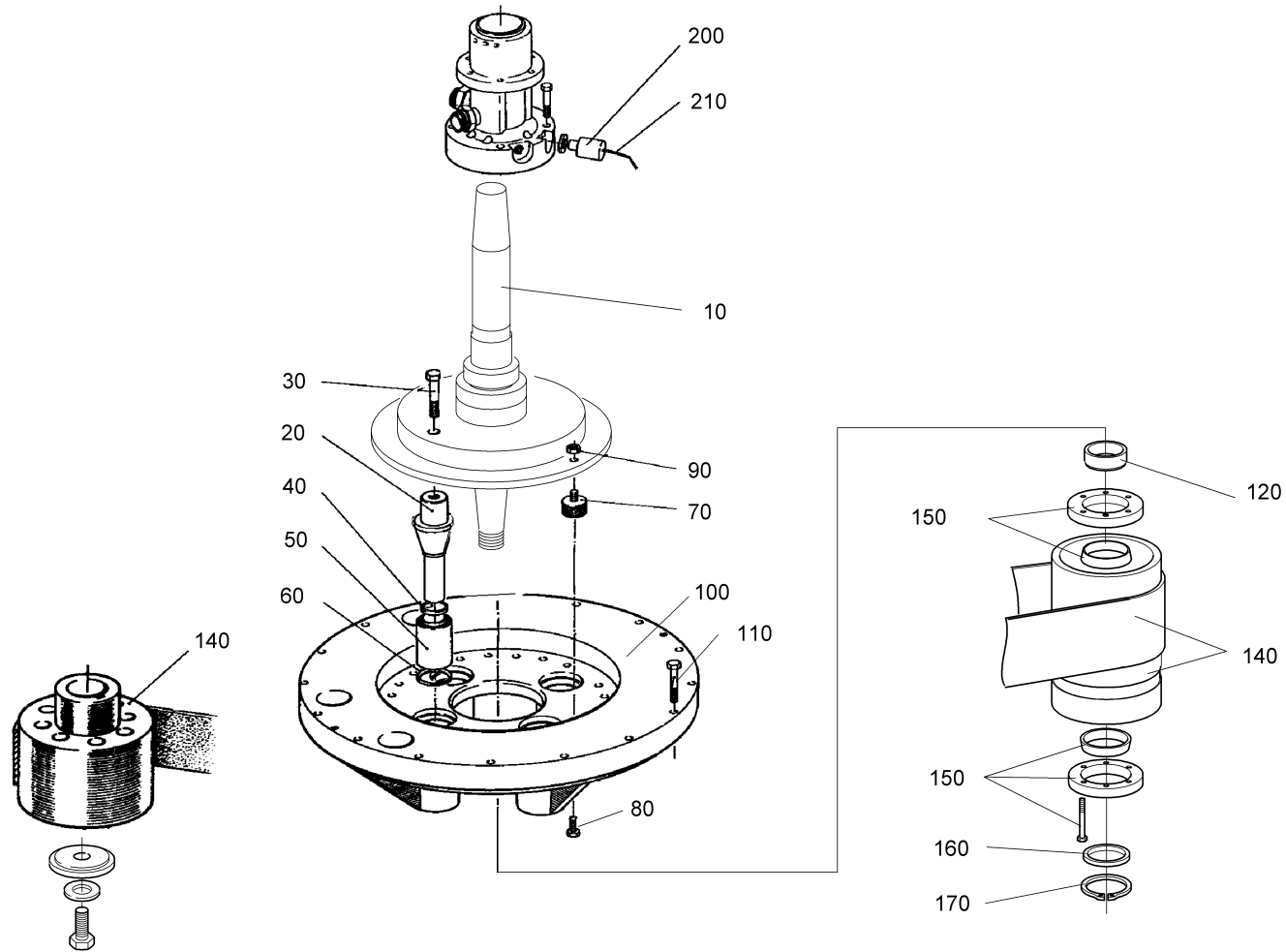
SpareP	Draw N	Pos	Part-No.	Description	Qty	UN	ETS	AUFL.IN ET- ZEICH.NR.
		0120	3287-3356-030	HUELSE SLEEVE	1,000	PC	2	
		0140	3306-3060-050	SATZ ANTRIEBSTEILE SET OF DRIVE PARTS	1,000	PC	1	
			3306-3459-040	FLACHRIEMENSCHLEIBE VOLLST. FLAT-BELT PULLEY, COMPL.	1,000	PC	1	
			3287-3482-470	FLACHRIEMENSCHLEIBE MHPA FLAT BELT PULLEY BWHK	1,000	PC	2	
			0026-2279-030	ZENTRIERSCHLEIBE CENTERING DISK	1,000	PC	2	
			0026-1332-300	FEDERRING LOCK WASHER	1,000	PC	2	
			0019-6664-400	SECHSKANTSCHRAUBE HEX HEAD SCREW	1,000	PC	2	
			0003-0607-800	STOPFEN PLUG	2,000	PC	2	
			3287-3474-020	FLACHRIEMENSCHLEIBE FLAT-BELT PULLEY	1,000	PC	2	
			0021-3499-890	ANTRIEBSRIEMEN DRIVE BELT	1,000	PC	2	
		0150	0026-2396-000	SCHRUMPFSCHEIBE GETEILT VOLLST. SHRINKAGE DISK, SPLIT, COMPLETE	1,000	PC	2	
		0160	0026-2504-400	SCHLEIBE WASHER / DISK	1,000	PC	2	

PARTS CATALOG

ORDER-NO : 121681749 MACHINE SERIAL-NO : 1728-741 PLANT SERIAL-NO. :
 Main Item 001000 BOWL SERIAL-NO : 1728-741 CONVEYOR SCREW SERIAL-NO:
 TYPE : RSE 220-01-777 CONTROL CABINET SIN :
 MATERIAL-NO. : 9987-0209-450

Sheet: 30

SpareP	Draw N	Pos	Part-No.	Description	Qty	UN	ETS	AUFL.IN ET- ZEICH.NR.
		0170	0026-5873-300	SICHERUNGSRING SECURING RING	1,000	PC	2	
		0200	0005-3634-000	NAEHERUNGSINITIATOR PROXIMITY SENSOR	1,000	PC	2	
		0210	0005-3634-020	VERBINDUNGSKABEL JUNCTION CABLE	1,000	PC	2	



Westfalia Separator AG

Datum:
12.3.2001

Zeichnungs-Nr.:
3306-4753-002

Blatt
1

1 Blätter

PARTS CATALOG

ORDER-NO : 121681749 MACHINE SERIAL-NO : 1728-741
 Main Item 001000 BOWL SERIAL-NO : 1728-741
 TYPE : RSE 220-01-777 CONTROL CABINET SIN :
 MATERIAL-NO. : 9987-0209-450

PLANT SERIAL-NO. :
 CONVEYOR SCREW SERIAL-NO:

Sheet: 32

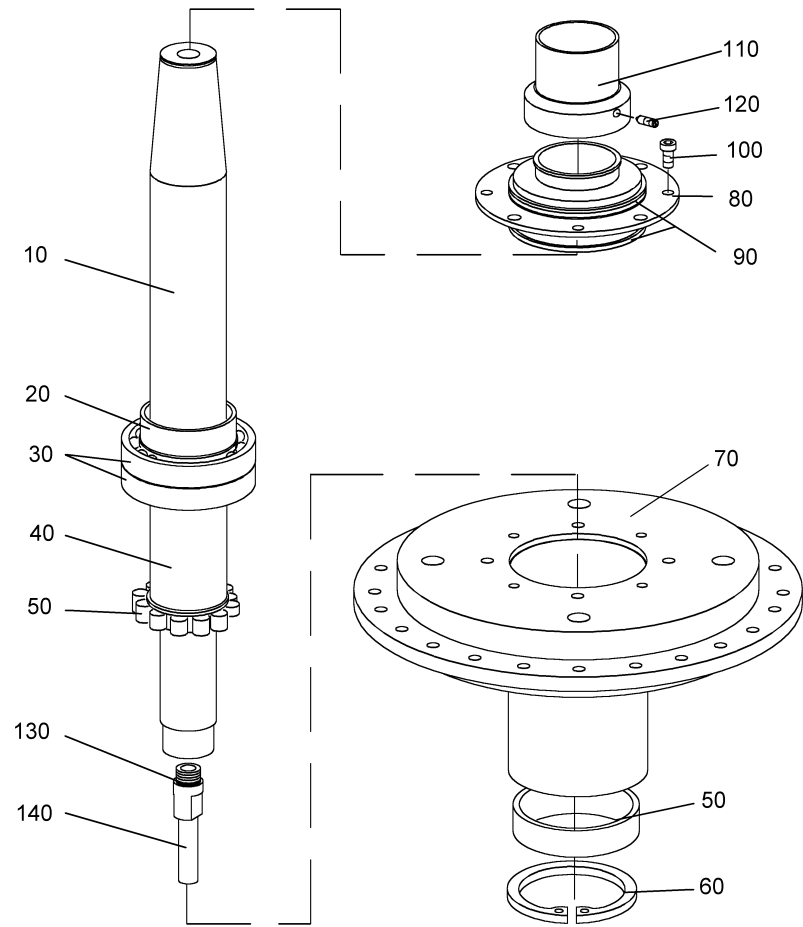
SpareP	Draw N	Pos	Part-No.	Description	Qty	UN	ETS	AUFL.IN ET- ZEICH.NR.	
			3306-4753-001	3306-3429-030	SPINDEL VOLLST. SPINDLE, COMPL.	1,000	PC	1	
		0010		3287-3410-030	SPINDEL SPINDLE	1,000	PC	2	
		0020		3287-3526-000	OELLEITRING OIL GUIDE RING	1,000	PC	2	
		0030		0011-7312-100	SCHRAEGKUGELLAGER ANGULAR CONTACT BALL BEARING	2,000	PC	2	
		0040		3287-3356-000	DISTANZHUELSE SPACER SLEEVE	1,000	PC	2	
		0050		0011-0311-350	ZYLINDERROLLENLAGER CYLINDRICAL ROLLER BEARING	1,000	PC	2	
		0060		0026-5845-170	SICHERUNGSRING SECURING RING	1,000	PC	2	
		0070		3371-3131-000	LAGERGEHAEUSE BEARING HOUSING	1,000	PC	2	
		0080		0008-7517-410	HALSLAGERDECKEL NECK BEARING COVER	1,000	PC	2	
		0090		0007-2643-830	DICHTRING GASKET	2,000	PC	2	
		0100		0019-6144-150	ZYLINDERSCHRAUBE ALLEN SCREW	4,000	PC	2	
		0110		0008-7501-500	SPINDELKAPPE VOLLST. SPINDLE CAP, COMPL.	1,000	PC	2	

PARTS CATALOG

ORDER-NO : 121681749 MACHINE SERIAL-NO : 1728-741 PLANT SERIAL-NO. :
 Main Item 001000 BOWL SERIAL-NO : 1728-741 CONVEYOR SCREW SERIAL-NO:
 TYPE : RSE 220-01-777 CONTROL CABINET SIN :
 MATERIAL-NO. : 9987-0209-450

Sheet: 33

SpareP	Draw N	Pos	Part-No.	Description	Qty	UN	ETS	AUFL.IN ET- ZEICH.NR.
		0120	0019-8974-400	GEWINDESTIFT THREADED PIN	1,000	PC	2	
		0130	0007-2924-830	DICHTRING GASKET	1,000	PC	2	
		0140	3287-3422-000	SAUGROHR GELOETET SUCTION PIPE, SOLDERED	1,000	PC	2	



Westfalia Separator AG

Datum:

15.11.2000

Zeichnungs-Nr.:

3306-4753-001

Blatt

1

1 Blätter

PARTS CATALOG

ORDER-NO : 121681749
Main Item 001000
TYPE : RSE 220-01-777
MATERIAL-NO. : 9987-0209-450

MACHINE SERIAL-NO : 1728-741
BOWL SERIAL-NO : 1728-741
CONTROL CABINET SIN :

PLANT SERIAL-NO. :
CONVEYOR SCREW SERIAL-NO:

Sheet: 35

SpareP	Draw N	Pos	Part-No.	Description	Qty	UN	ETS	AUFL.IN ET- ZEICH.NR.
			5890-5488-189	DREHSTROMMOTOR THREE-PHASE AC MOTOR	1,000	PC	2	

PARTS CATALOG

ORDER-NO : 121681749 MACHINE SERIAL-NO : 1728-741 PLANT SERIAL-NO. :
Main Item 001000 BOWL SERIAL-NO : 1728-741 CONVEYOR SCREW SERIAL-NO:
TYPE : RSE 220-01-777 CONTROL CABINET SIN :
MATERIAL-NO. : 9987-0209-450

Sheet: 36

SpareP	Draw N	Pos	Part-No.	Description	Qty	UN	ETS	AUFL.IN ET- ZEICH.NR.
			0024-6073-000	SCHILD PLATE	1,000	PC	2	

PARTS CATALOG

ORDER-NO : 121681749 MACHINE SERIAL-NO : 1728-741 PLANT SERIAL-NO. :
Main Item 001000 BOWL SERIAL-NO : 1728-741 CONVEYOR SCREW SERIAL-NO:
TYPE : RSE 220-01-777 CONTROL CABINET SIN :
MATERIAL-NO. : 9987-0209-450

Sheet: 37

SpareP	Draw N	Pos	Part-No.	Description	Qty	UN	ETS	AUFL.IN ET- ZEICH.NR.
			0024-6424-000	SCHILD PLATE	1,000	PC	2	

PARTS CATALOG

ORDER-NO : 121681749 MACHINE SERIAL-NO : 1728-741 PLANT SERIAL-NO. :
Main Item 001000 BOWL SERIAL-NO : 1728-741 CONVEYOR SCREW SERIAL-NO:
TYPE : RSE 220-01-777 CONTROL CABINET SIN :
MATERIAL-NO. : 9987-0209-450

Sheet: 38

SpareP	Draw N	Pos	Part-No.	Description	Qty	UN	ETS	AUFL.IN ET- ZEICH.NR.
			0024-6103-000	KLEBESCHILD ADHESIVE PLATE	2,000	PC	2	

PARTS CATALOG

ORDER-NO : 121681749 MACHINE SERIAL-NO : 1728-741
 Main Item 001000 BOWL SERIAL-NO : 1728-741
 TYPE : RSE 220-01-777 CONTROL CABINET SIN :
 MATERIAL-NO. : 9987-0209-450

PLANT SERIAL-NO. :
 CONVEYOR SCREW SERIAL-NO:

Sheet: 39

SpareP	Draw N	Pos	Part-No.	Description	Qty	UN	ETS	AUFL.IN ET- ZEICH.NR.
			3306-7759-010	HAUBE VOLLST. HOOD, COMPL.	1,000	PC	1	
		0010	3306-7765-010	HAUBE GESCHW. HOOD, WELDED	1,000	PC	2	
		0020	0013-3297-300	BLINDMUTTER BLIND NUT	1,000	PC	2	
		0030	0004-1757-600	DICHTUNG GASKET	1,000	PC	2	
		0040	0013-0406-400	HUTMUTTER CAP NUT	4,000	PC	2	
		0060	0007-2003-830	DICHTRING GASKET	3,000	PC	2	
		0070	0026-1371-400	SCHEIBE WASHER / DISK	12,000	PC	2	
		0080	0019-6970-400	SECHSKANTSCHRAUBE HEX HEAD SCREW	12,000	PC	2	
		0090	0018-2452-300	T-STUECK GESCHW. T-PIECE, WELDED	1,000	PC	2	
		0100	0018-1697-400	ANSCHWEISSVERSCHRAUBUNG WELDED SCREW COUPLING	1,000	PC	2	
		0110	0018-6250-400	NIEDERDRUCKSCHLAUCH VOLLST. LOW PRESSURE HOSE, COMPL.	1,000	PC	1	
			0007-2003-750	DICHTRING GASKET	1,000	PC	2	

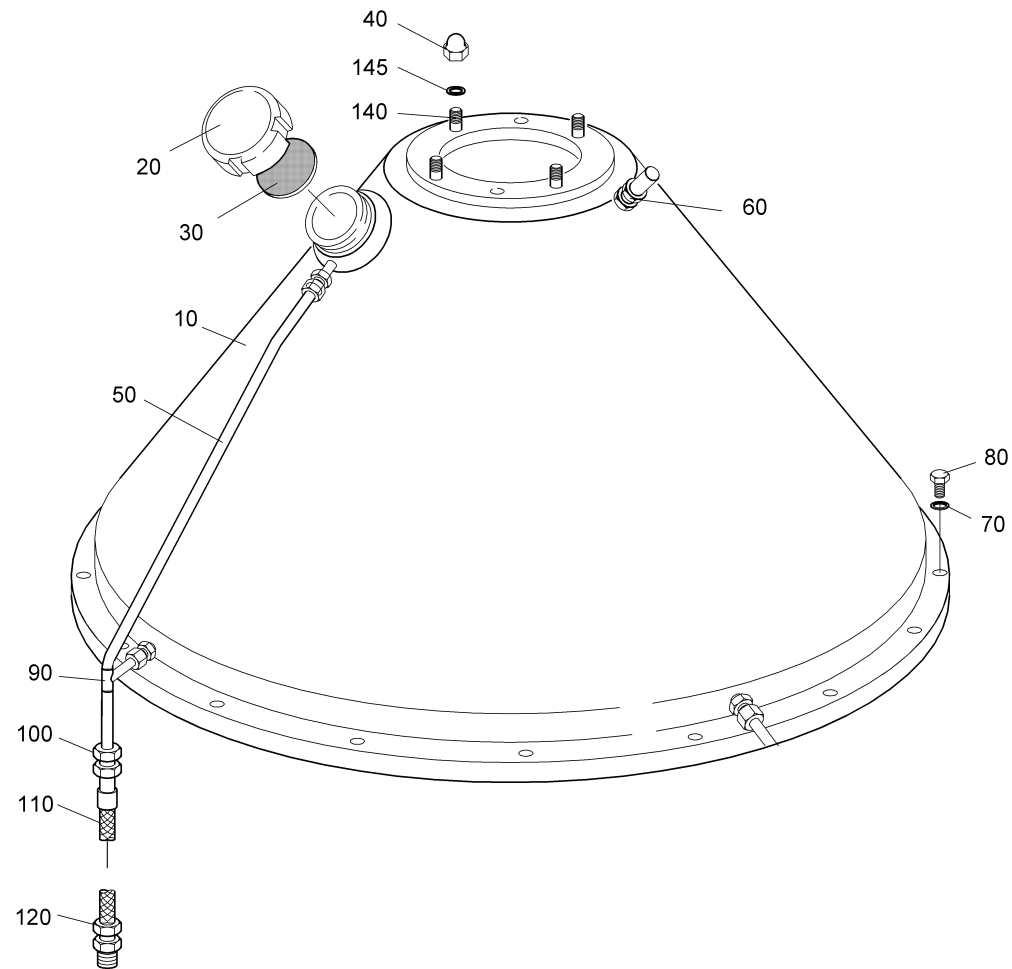
PARTS CATALOG

ORDER-NO : 121681749 MACHINE SERIAL-NO : 1728-741
 Main Item 001000 BOWL SERIAL-NO : 1728-741
 TYPE : RSE 220-01-777 CONTROL CABINET SIN :
 MATERIAL-NO. : 9987-0209-450

PLANT SERIAL-NO. :
 CONVEYOR SCREW SERIAL-NO:

Sheet: 40

SpareP	Draw N	Pos	Part-No.	Description	Qty	UN	ETS	AUFL.IN ET- ZEICH.NR.
		0120	0018-8069-400	WINKELVERSCHRAUBUNG ANGULAR SCREW COUPLING	1,000	PC	2	
		0140	0019-7669-400	STIFTSCHRAUBE STUD BOLT	4,000	PC	2	
		0145	0026-1371-300	SCHEIBE WASHER / DISK	4,000	PC	2	



Westfalia Separator AG

Datum:
15.11.2000

Zeichnungs-Nr.:
3306-4757-000

Blatt
1

1 Blätter

PARTS CATALOG

ORDER-NO : 121681749 MACHINE SERIAL-NO : 1728-741
 Main Item 001000 BOWL SERIAL-NO : 1728-741
 TYPE : RSE 220-01-777 CONTROL CABINET SIN :
 MATERIAL-NO. : 9987-0209-450

PLANT SERIAL-NO. :
 CONVEYOR SCREW SERIAL-NO:

Sheet: 42

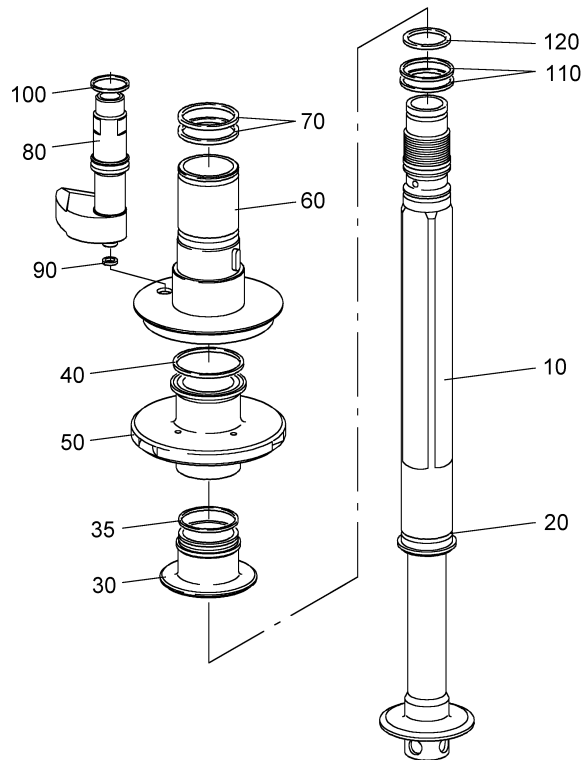
SpareP	Draw N	Pos	Part-No.	Description	Qty	UN	ETS	AUFL.IN ET- ZEICH.NR.
			2298-2213-040	DOPPELGREIFER VOLLST. DOUBLE CENTRIPETAL PUMP, COMPL.	1,000	PC	1	
		0010	2298-2246-030	EINLAUFROHR GESCHW. INLET TUBE, WELDED	1,000	PC	2	
		0020	0007-2485-600	DICHTRING GASKET	1,000	PC	2	
		0030	2298-2239-010	DISTANZHUELSE SPACER SLEEVE	1,000	PC	2	
		0035	0007-2605-750	DICHTRING GASKET	1,000	PC	2	
		0040	0007-2861-750	DICHTRING GASKET	1,000	PC	2	
		0050	2298-2241-010	UNTERER GREIFER GESCHW. LOWER CENTRIPETAL PUMP, WELDED	1,000	PC	2	
		0060	2298-2239-000	DISTANZHUELSE GESCHW. SPACER SLEEVE, WELDED	1,000	PC	2	
		0070	0007-1945-750	DICHTRING GASKET	2,000	PC	2	
		0080	2298-2252-010	OBERER GREIFER GESCHW. UPPER CENTRIPETAL PUMP WELDED	1,000	PC	2	
		0090	0007-2926-750	DICHTRING GASKET	1,000	PC	2	
		0100	0007-1711-750	DICHTRING GASKET	1,000	PC	2	

PARTS CATALOG

ORDER-NO : 121681749 MACHINE SERIAL-NO : 1728-741 PLANT SERIAL-NO. :
Main Item 001000 BOWL SERIAL-NO : 1728-741 CONVEYOR SCREW SERIAL-NO:
TYPE : RSE 220-01-777 CONTROL CABINET SIN :
MATERIAL-NO. : 9987-0209-450

Sheet: 43

SpareP	Draw N	Pos	Part-No.	Description	Qty	UN	ETS	AUFL.IN ET- ZEICH.NR.
		0110	0007-2929-750	DICHTRING GASKET	2,000	PC	2	
		0120	0007-1944-750	DICHTRING GASKET	1,000	PC	2	



Westfalia Separator AG

Datum:
09.08.2001

Zeichnungs-Nr.:
2298-4752-002

Blatt
1

1 Blätter

PARTS CATALOG

ORDER-NO : 121681749 MACHINE SERIAL-NO : 1728-741 PLANT SERIAL-NO. :
 Main Item 001000 BOWL SERIAL-NO : 1728-741 CONVEYOR SCREW SERIAL-NO:
 TYPE : RSE 220-01-777 CONTROL CABINET SIN :
 MATERIAL-NO. : 9987-0209-450

Sheet: 45

SpareP	Draw N	Pos	Part-No.	Description	Qty	UN	ETS	AUFL.IN ET- ZEICH.NR.
			2298-2296-190	SCHLEUDERGUTANSCHLUSS VOLLST. FEED AND DISCHARGE CONNECTIONS,CPL.	1,000	PC	1	
		0010	2298-2218-000	RING GESCHW. RING, WELDED	1,000	PC	2	
		0020	0007-2564-750	DICHTRING GASKET	1,000	PC	2	
		0030	0021-2980-100	SCHWENKANTRIEB VOLLST. VALVE ACTUATOR, COMPL.	1,000	PC	1	
			0021-2980-000	SCHWENKANTRIEB VALVE ACTUATOR	1,000	PC	1	
			0018-0997-900	SATZ DICHTUNGEN SET OF SEALS	1,000	PC	2	
			0021-2980-500	FILTERELEMENT FILTER ELEMENT	1,000	PC	2	
			0005-0637-000	STECKDOSE WALL SOCKET	1,000	PC	2	
			0018-4235-600	EINSCHRAUB-STECKANSCHLUSS SCREW-TYPE PLUG CONNECTOR	1,000	PC	2	
		0040	0019-6106-400	ZYLINDERSCHRAUBE ALLEN SCREW	4,000	PC	2	
		0050	2295-2467-010	PLATTE PLATE	1,000	PC	2	
		0060	2295-2239-010	HUELSE SLEEVE	2,000	PC	2	

PARTS CATALOG

ORDER-NO : 121681749 MACHINE SERIAL-NO : 1728-741 PLANT SERIAL-NO. :
 Main Item 001000 BOWL SERIAL-NO : 1728-741 CONVEYOR SCREW SERIAL-NO:
 TYPE : RSE 220-01-777 CONTROL CABINET SIN :
 MATERIAL-NO. : 9987-0209-450

Sheet: 46

SpareP	Draw N	Pos	Part-No.	Description	Qty	UN	ETS	AUFL.IN ET- ZEICH.NR.
		0070	2295-1096-000	WELLE SHAFT	1,000	PC	2	
		0080	2295-2247-000	SCHEIBE WASHER / DISK	1,000	PC	2	
		0090	2297-2947-030	ZAHNSEGMENT TOOTHED SEGMENT	1,000	PC	2	
		0100	2298-2947-020	ZAHNSEGMENT TOOTHED SEGMENT	1,000	PC	2	
		0110	0019-1173-400	STEBBOLZEN STUD BOLT	4,000	PC	2	
		0120	0019-9391-400	SENKSCBRAUBE COUNTERSUNK SCREW	4,000	PC	2	
		0130	0013-0278-300	SECHSKANTMUTTER HEXAGON NUT	4,000	PC	2	
		0140	2298-2301-000	ANSCHLUSSGEHAEUSE GESCHW. CONNECTION HOUSING, WELDED	1,000	PC	2	
		0150	0007-2520-600	DICHTRING GASKET	9,000	PC	2	
		0160	2298-2189-000	ANSCHLUSSSTUECK CONNECTING PIECE	1,000	PC	2	
		0180	0007-2003-750	DICHTRING GASKET	5,000	PC	2	
		0190	0019-6968-300	SECHSKANTSCHRAUBE HEX HEAD SCREW	1,000	PC	2	

PARTS CATALOG

ORDER-NO : 121681749 MACHINE SERIAL-NO : 1728-741
 Main Item 001000 BOWL SERIAL-NO : 1728-741
 TYPE : RSE 220-01-777 CONTROL CABINET SIN :
 MATERIAL-NO. : 9987-0209-450

PLANT SERIAL-NO. :
 CONVEYOR SCREW SERIAL-NO:

Sheet: 47

SpareP	Draw N	Pos	Part-No.	Description	Qty	UN	ETS	AUFL.IN ET- ZEICH.NR.
		0200	2295-2356-000	SCHUTZKASTENHAELFTE PROTECTIVE CASING HALF	1,000	PC	2	
		0210	2295-2356-010	SCHUTZKASTENHAELFTE PROTECTIVE CASING HALF	1,000	PC	2	
		0220	0019-6900-300	SECHSKANTSCHRAUBE HEX HEAD SCREW	4,000	PC	2	
		0230	0007-1936-750	DICHTRING GASKET	1,000	PC	2	
		0245	0013-2851-300	NUTUEBERWURFMUTTER GROOVED COUPLING NUT	1,000	PC	2	
		0290	0013-2854-300	NUTUEBERWURFMUTTER GROOVED COUPLING NUT	1,000	PC	2	
		0300	0007-2522-600	DICHTRING GASKET	1,000	PC	2	
		0310	2325-2003-000	SCHAUGLAS VOLLST. SIGHT GLASS, COMPL.	1,000	PC	2	
		0320	0018-0965-400	DOPPELNIPPEL DOUBLE NIPPLE	2,000	PC	2	
		0330	0018-1679-600	FEINREGULIERVENTIL FINE-REGULATING VALVE	2,000	PC	2	
		0340	0018-5918-400	EINSCHRAUBNIPPEL SCREWED NIPPLE	2,000	PC	2	
		0350	0018-2097-400	VERSCHRAUBUNG SCREW COUPLING	1,000	PC	1	

PARTS CATALOG

ORDER-NO : 121681749 MACHINE SERIAL-NO : 1728-741 PLANT SERIAL-NO. :
 Main Item 001000 BOWL SERIAL-NO : 1728-741 CONVEYOR SCREW SERIAL-NO:
 TYPE : RSE 220-01-777 CONTROL CABINET SIN :
 MATERIAL-NO. : 9987-0209-450

Sheet: 48

SpareP	Draw N	Pos	Part-No.	Description	Qty	UN	ETS	AUFL.IN ET- ZEICH.NR.
			0007-2003-750	DICHTRING GASKET	2,000	PC	2	
		0360	0018-5917-400	EINSTELLBARER L-ANSCHLUSSSTUTZEN ADJUSTABLE L-CONNECTION	1,000	PC	2	
		0370	0018-7386-660	2/2-WEGE-MAGNETVENTIL VOLLST. 2/2-WAY SOLENOID VALVE COMPL.	1,000	PC	1	
			0018-7386-600	2/2-WEGE-MAGNETVENTIL 2/2 WAY SOLENOID VALVE	1,000	PC	2	
			0005-0637-000	STECKDOSE WALL SOCKET	1,000	PC	2	
		0380	0018-3462-400	VERSCHRAUBUNG SCREW COUPLING	1,000	PC	2	
		0400	0019-1682-300	GEWINDESTOPFEN THREADED PLUG	1,000	PC	2	
		0410	0026-1324-300	FEDERRING LOCK WASHER	2,000	PC	2	
		0420	0019-6105-400	ZYLINDERSCHRAUBE ALLEN SCREW	2,000	PC	2	
		0430	0018-1671-300	BOGEN BEND	2,000	PC	2	
		0440	2298-2002-090	SCHAUGLASGEHAEUSE VOLLST. SIGHT GLASS HOUSING, COMPL.	2,000	PC	1	2298-4752-011
		0450	0001-1533-400	DRUCKMESSGERAET PRESSURE GAUGE	1,000	PC	2	

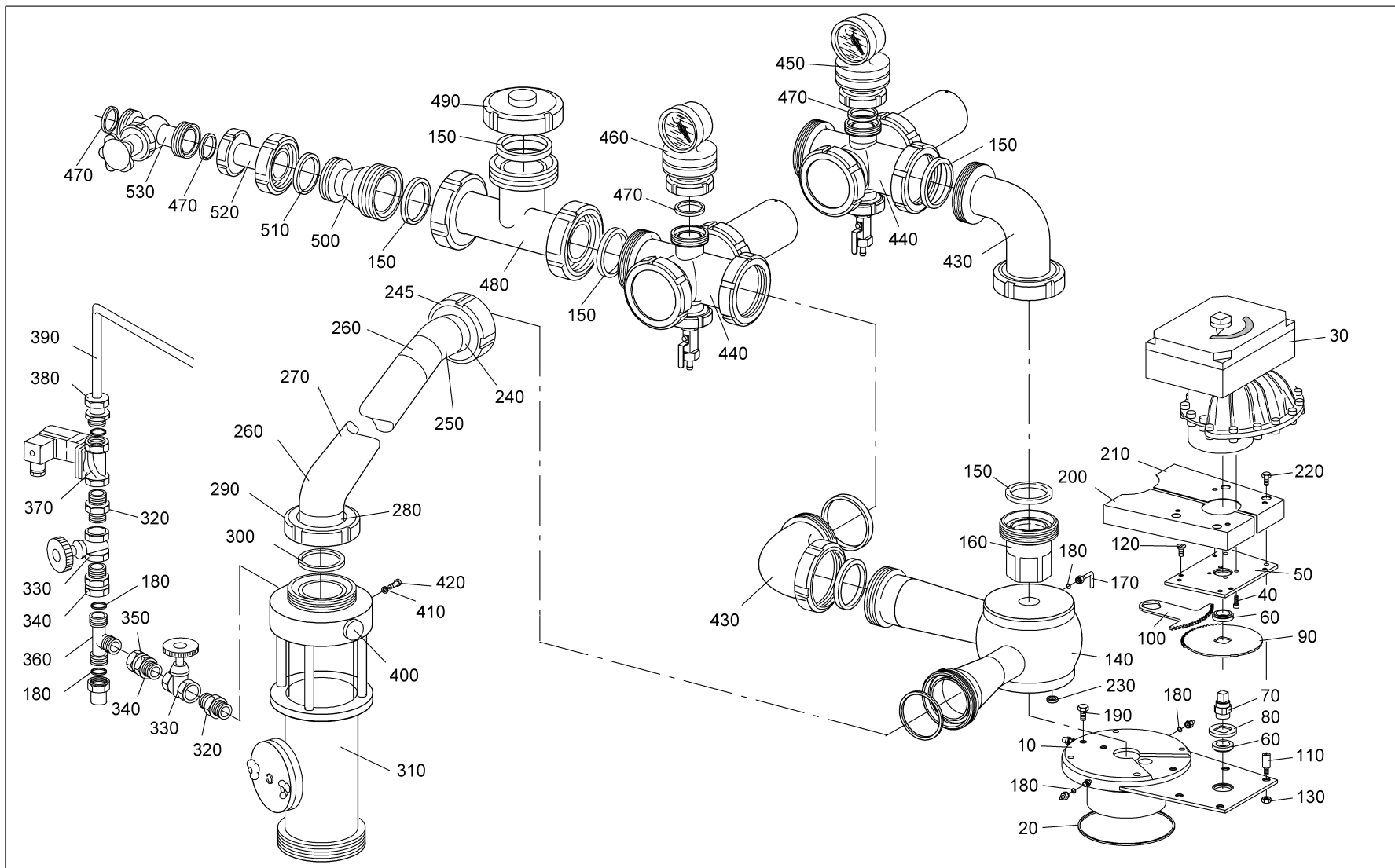
PARTS CATALOG

ORDER-NO : 121681749 MACHINE SERIAL-NO : 1728-741
 Main Item 001000 BOWL SERIAL-NO : 1728-741
 TYPE : RSE 220-01-777 CONTROL CABINET SIN :
 MATERIAL-NO. : 9987-0209-450

PLANT SERIAL-NO. :
 CONVEYOR SCREW SERIAL-NO:

Sheet: 49

SpareP	Draw N	Pos	Part-No.	Description	Qty	UN	ETS	AUFL.IN ET- ZEICH.NR.
		0460	0001-1180-400	DRUCKMESSGERAET PRESSURE GAUGE	1,000	PC	2	
		0470	0007-2210-600	DICHTRING GASKET	4,000	PC	2	
		0480	0018-4248-400	T-STUECK T-PIECE	1,000	PC	2	
		0490	0018-1767-300	BLIND-GEWINDESTUTZEN BLIND THREADED CONNECTION	1,000	PC	2	
		0500	0018-0539-300	UEBERGANGSSTUECK TRANSITION PIECE	1,000	PC	2	
		0510	0007-2211-600	DICHTRING GASKET	1,000	PC	2	
		0520	0018-3613-400	UEBERGANGSSTUECK VOLLST. TRANSITION PIECE, COMPL.	1,000	PC	2	
		0530	0018-6740-300	DROSSELVENTIL THROTTLE VALVE	1,000	PC	1	
			0018-6740-750	DICHTUNG GASKET	1,000	PC	2	



GEA

Westfalia Separator AG

Datum:
29.05.08

Zeichnungs-Nr.:
2298-4752-020

Blatt
1
1 Blätter

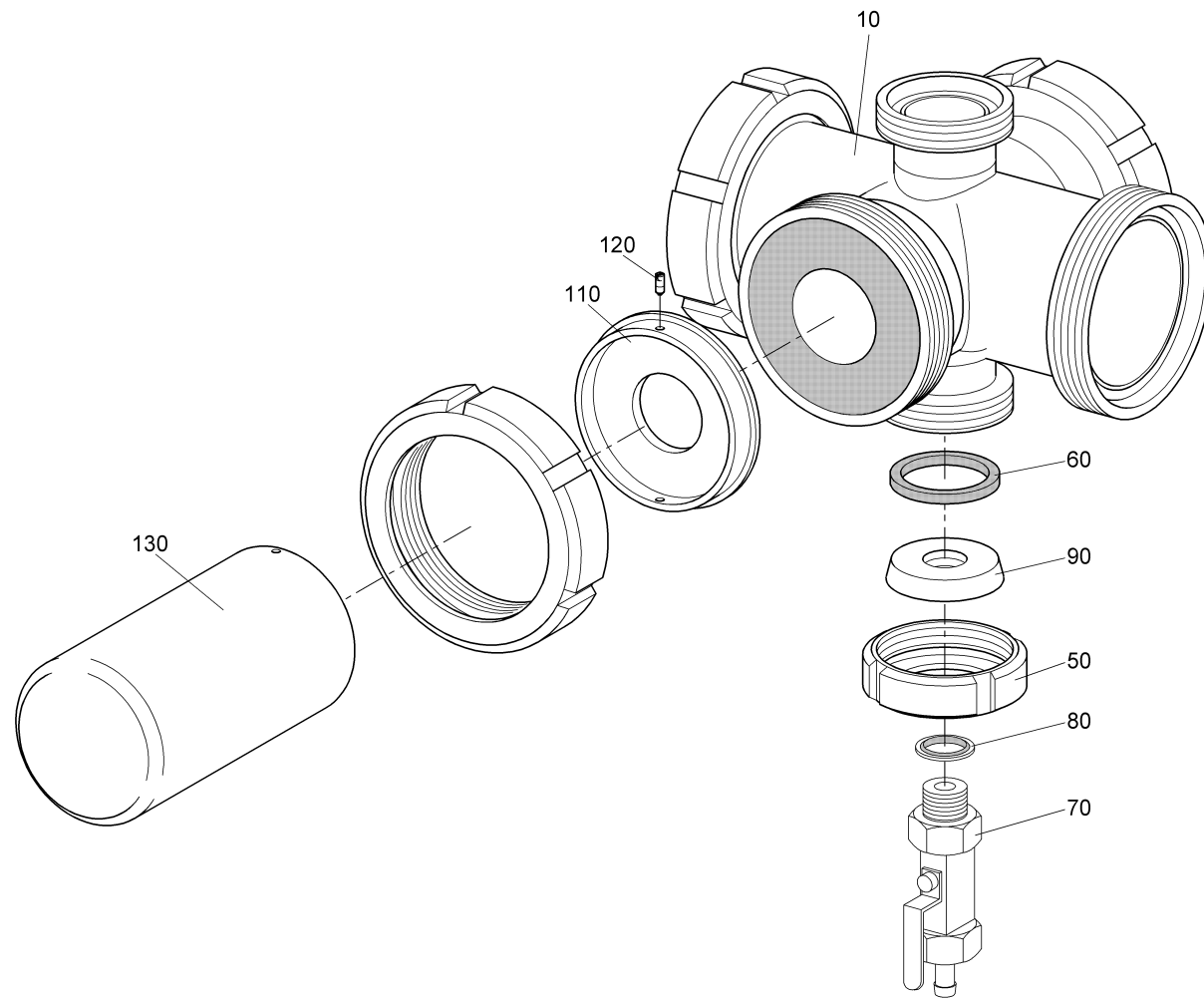
PARTS CATALOG

ORDER-NO : 121681749 MACHINE SERIAL-NO : 1728-741
 Main Item 001000 BOWL SERIAL-NO : 1728-741
 TYPE : RSE 220-01-777 CONTROL CABINET SIN :
 MATERIAL-NO. : 9987-0209-450

PLANT SERIAL-NO. :
 CONVEYOR SCREW SERIAL-NO:

Sheet: 51

SpareP	Draw N	Pos	Part-No.	Description	Qty	UN	ETS	AUFL.IN ET- ZEICH.NR.
	2298-4752-011		2298-2002-090	SCHAUGLASGEHAEUSE VOLLST. SIGHT GLASS HOUSING, COMPL.	2,000	PC	1	
		0050	0013-2844-300	NUTUEBERWURFMUTTER GROOVED COUPLING NUT	1,000	PC	2	
		0060	0007-2210-830	DICHTRING GASKET	1,000	PC	2	
		0070	0018-6574-400	SCHLAUCHHAHN HOSE COCK	1,000	PC	2	
		0080	0004-5980-400	USITRING USIT RING	1,000	PC	2	
		0090	2298-2189-010	ANSCHLUSSSTUECK CONNECTING PIECE	1,000	PC	2	
		0110	0005-4544-310	FLANSCH FLANGE	1,000	PC	2	
		0120	0019-4916-300	GEWINDESTIFT THREADED PIN	4,000	PC	2	
		0130	0005-4544-320	SCHAUGLASLEUCHTE SIGHT GLASS LAMP	1,000	PC	1	
			0005-4544-010	HALOGENLAMPE HALOGEN LAMP	1,000	PC	2	



Westfalia Separator AG

Datum:
18.08.03

Zeichnungs-Nr.:
2298-4752-011

Blatt
1

1 Blätter

PARTS CATALOG

ORDER-NO : 121681749 MACHINE SERIAL-NO : 1728-741 PLANT SERIAL-NO. :
 Main Item 001000 BOWL SERIAL-NO : 1728-741 CONVEYOR SCREW SERIAL-NO:
 TYPE : RSE 220-01-777 CONTROL CABINET SIN :
 MATERIAL-NO. : 9987-0209-450

Sheet: 53

SpareP	Draw N	Pos	Part-No.	Description	Qty	UN	ETS	AUFL.IN ET- ZEICH.NR.
			2298-6600-170	TROMMEL VOLLST. BOWL, COMPL.	1,000	PC	1	
		0010	2298-6600-178	TROMMEL VORMONTIERT BOWL, PRE-ASSEMBLED	1,000	PC	9	
		0030	1250-6604-130	TROMMELUNTERTEIL VOLLST. BOWL BOTTOM, COMPL.	1,000	PC	3	
			0026-2430-400	BOLZEN BOLT	1,000	PC	2	
			0026-5690-400	ZYLINDERSTIFT CYLINDRICAL PIN	3,000	PC	4	
		0040	0019-6324-400	GEWINDESTIFT THREADED PIN	6,000	PC	2	
		0050	3395-6280-020	VENTIL VOLLST. VALVE, COMPL.	2,000	PC	1	3395-4756-002
		0090	3321-6501-060	KOLBENSCHIEBER SLIDING PISTON	1,000	PC	4	
		0130	2298-6462-020	HUELSE SLEEVE	1,000	PC	2	
		0140	0019-8965-400	GEWINDESTIFT THREADED PIN	3,000	PC	2	
		0160	2298-6620-000	VERTEILER GESCHW. DISTRIBUTOR, WELDED	1,000	PC	4	
		0170	2335-6660-010	TELLEREINSATZ VOLLST. DISC STACK, COMPL.	1,000	PC	3	2335-4756-000

PARTS CATALOG

ORDER-NO : 121681749 MACHINE SERIAL-NO : 1728-741 PLANT SERIAL-NO. :
 Main Item 001000 BOWL SERIAL-NO : 1728-741 CONVEYOR SCREW SERIAL-NO:
 TYPE : RSE 220-01-777 CONTROL CABINET SIN :
 MATERIAL-NO. : 9987-0209-450

Sheet: 54

SpareP	Draw N	Pos	Part-No.	Description	Qty	UN	ETS	AUFL.IN ET- ZEICH.NR.
		0180	2298-6650-000	SCHEIDETELLER GESCHW. SEPARATING DISC, WELDED	1,000	PC	4	
		0210	2298-6611-000	TROMMELDECKEL BOWL TOP	1,000	PC	4	
		0220	0007-3706-540	DICHTRING GASKET	1,000	PC	2	
		0260	1250-6631-010	VERSCHLUSSRING LOCK RING	1,000	PC	4	
		0280	0019-6346-400	GEWINDESTIFT THREADED PIN	4,000	PC	2	
		0300	2298-6389-000	RIPPENKOERPER RIBBED DISTRIBUTOR	1,000	PC	2	
		0330	2298-6645-030	GREIFERKAMMERDECKEL CENTRIPETAL PUMP CHAMBER COVER	1,000	PC	2	
		0350	2298-6726-000	REGULIERSCHEIBE REGULATING RING	1,000	PC	2	
		0370	2298-6645-000	GREIFERKAMMERDECKEL CENTRIPETAL PUMP CHAMBER COVER	1,000	PC	2	
		0380	2298-6645-020	GREIFERKAMMERDECKEL CENTRIPETAL PUMP CHAMBER COVER	1,000	PC	2	
		0390	2298-6645-010	GREIFERKAMMERDECKEL CENTRIPETAL PUMP CHAMBER COVER	1,000	PC	2	
		0400	2318-6631-000	VERSCHLUSSRING LOCK RING	1,000	PC	4	

PARTS CATALOG

ORDER-NO : 121681749 MACHINE SERIAL-NO : 1728-741 PLANT SERIAL-NO. :
 Main Item 001000 BOWL SERIAL-NO : 1728-741 CONVEYOR SCREW SERIAL-NO:
 TYPE : RSE 220-01-777 CONTROL CABINET SIN :
 MATERIAL-NO. : 9987-0209-450

Sheet: 55

SpareP	Draw N	Pos	Part-No.	Description	Qty	UN	ETS	AUFL.IN ET- ZEICH.NR.
		0410	3389-6453-000	SCHUTZBLECH WEAR INSERT	15,000	PC	2	
		0060	0007-3488-750	DICHTRING GASKET	1,000	PC	2	
		0070	0007-2825-750	DICHTRING GASKET	1,000	PC	2	
		0080	0007-2649-750	DICHTRING GASKET	1,000	PC	2	
		0100	0007-1805-600	DICHTRING GASKET	1,000	PC	2	
		0110	0019-0339-360	SPINDELSCHRAUBE SPINDLE SCREW	1,000	PC	2	
		0120	0007-1943-750	DICHTRING GASKET	1,000	PC	2	
		0150	0007-2940-750	DICHTRING GASKET	1,000	PC	2	
		0190	0007-2739-750	DICHTRING GASKET	1,000	PC	2	
		0200	0007-2091-750	DICHTRING GASKET	1,000	PC	2	
		0230	0007-2495-750	DICHTRING GASKET	1,000	PC	2	
		0240	0007-2546-750	DICHTRING GASKET	1,000	PC	2	

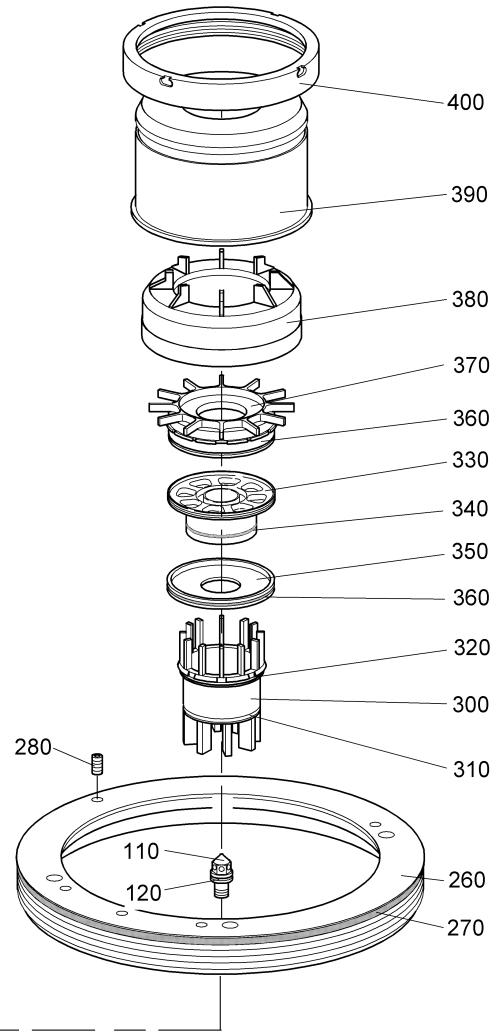
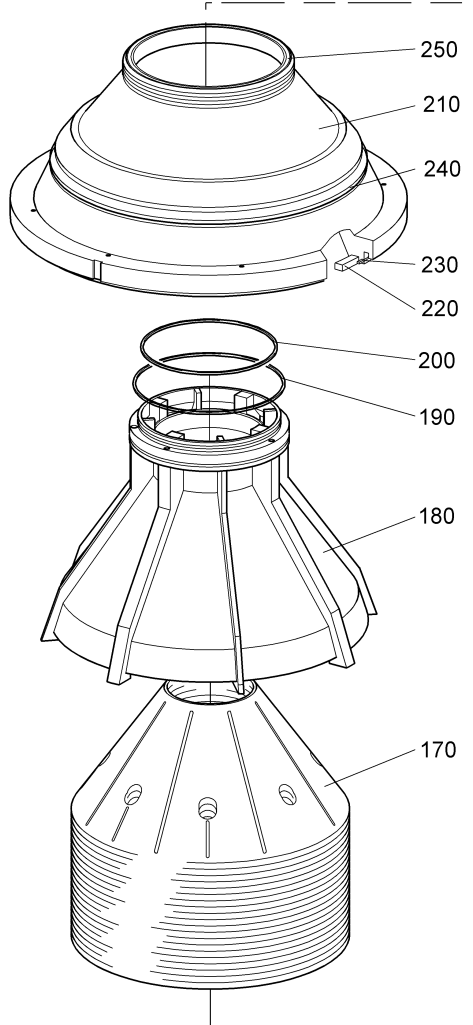
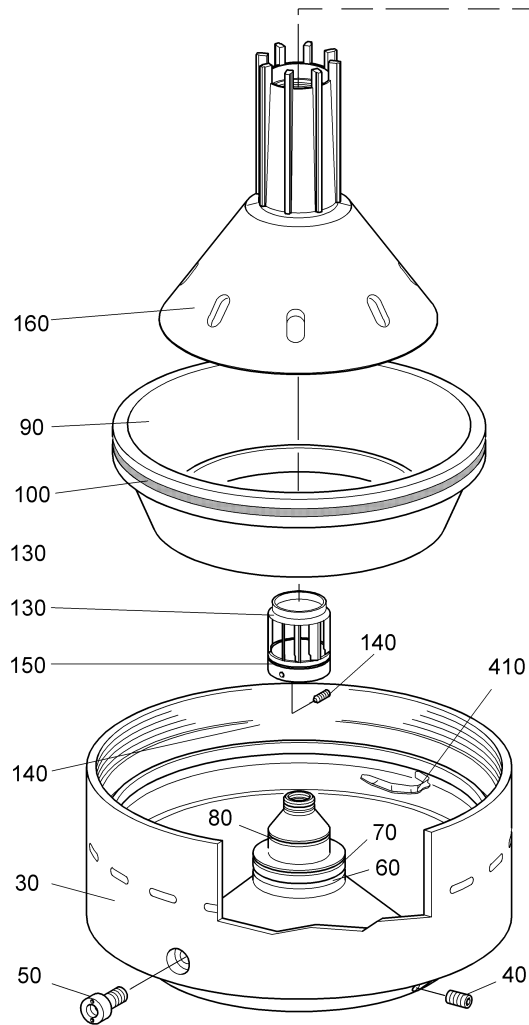
PARTS CATALOG

ORDER-NO : 121681749 MACHINE SERIAL-NO : 1728-741
 Main Item 001000 BOWL SERIAL-NO : 1728-741
 TYPE : RSE 220-01-777 CONTROL CABINET SIN :
 MATERIAL-NO. : 9987-0209-450

PLANT SERIAL-NO. :
 CONVEYOR SCREW SERIAL-NO:

Sheet: 56

SpareP	Draw N	Pos	Part-No.	Description	Qty	UN	ETS	AUFL.IN ET- ZEICH.NR.
		0250	0007-2732-750	DICHTRING GASKET	1,000	PC	2	
		0270	0007-2495-750	DICHTRING GASKET	1,000	PC	2	
		0310	0007-2018-750	DICHTRING GASKET	1,000	PC	2	
		0320	0007-2649-750	DICHTRING GASKET	1,000	PC	2	
		0340	0007-2015-750	DICHTRING GASKET	1,000	PC	2	
		0360	0007-2555-750	DICHTRING GASKET	2,000	PC	2	
		0990	0024-6180-000	KLEBESCHILD ADHESIVE PLATE	1,000	PC	2	

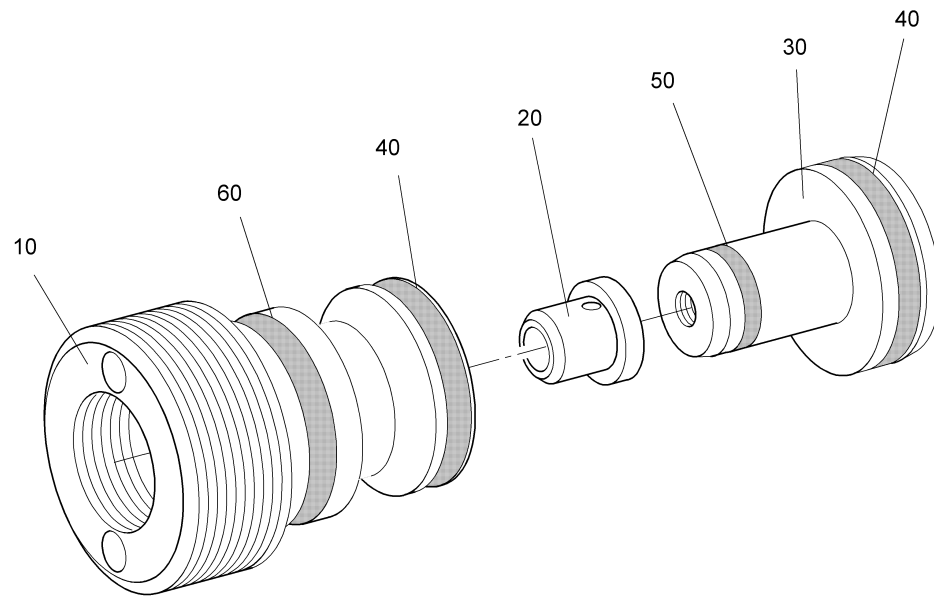


PARTS CATALOG

ORDER-NO : 121681749 MACHINE SERIAL-NO : 1728-741 PLANT SERIAL-NO. :
 Main Item 001000 BOWL SERIAL-NO : 1728-741 CONVEYOR SCREW SERIAL-NO:
 TYPE : RSE 220-01-777 CONTROL CABINET SIN :
 MATERIAL-NO. : 9987-0209-450

Sheet: 58

SpareP	Draw N	Pos	Part-No.	Description	Qty	UN	ETS	AUFL.IN ET- ZEICH.NR.
			3395-6280-020	VENTIL VOLLST. VALVE, COMPL.	2,000	PC	1	
		0010	3395-6281-010	VENTILGEHAEUSE VALVE HOUSING	1,000	PC	2	
		0020	0004-2341-200	DICHTUNG GASKET	1,000	PC	2	
		0030	3159-6276-020	VENTILKOLBEN VALVE PISTON	1,000	PC	2	
		0040	0007-3453-830	KOLBENDICHTRING PISTON SEALING RING	2,000	PC	2	
		0050	0007-3452-830	KOLBENDICHTRING PISTON SEALING RING	1,000	PC	2	
		0060	0007-2920-760	DICHTRING GASKET	1,000	PC	2	
		0080	1169-6200-050	SATZ DICHTRINGE SET OF JOINT RINGS	1,000	PC	2	



Westfalia Separator AG

Datum:
03.03.03.

Zeichnungs-Nr.:
3395-4756-002

Blatt
1

1 Blätter

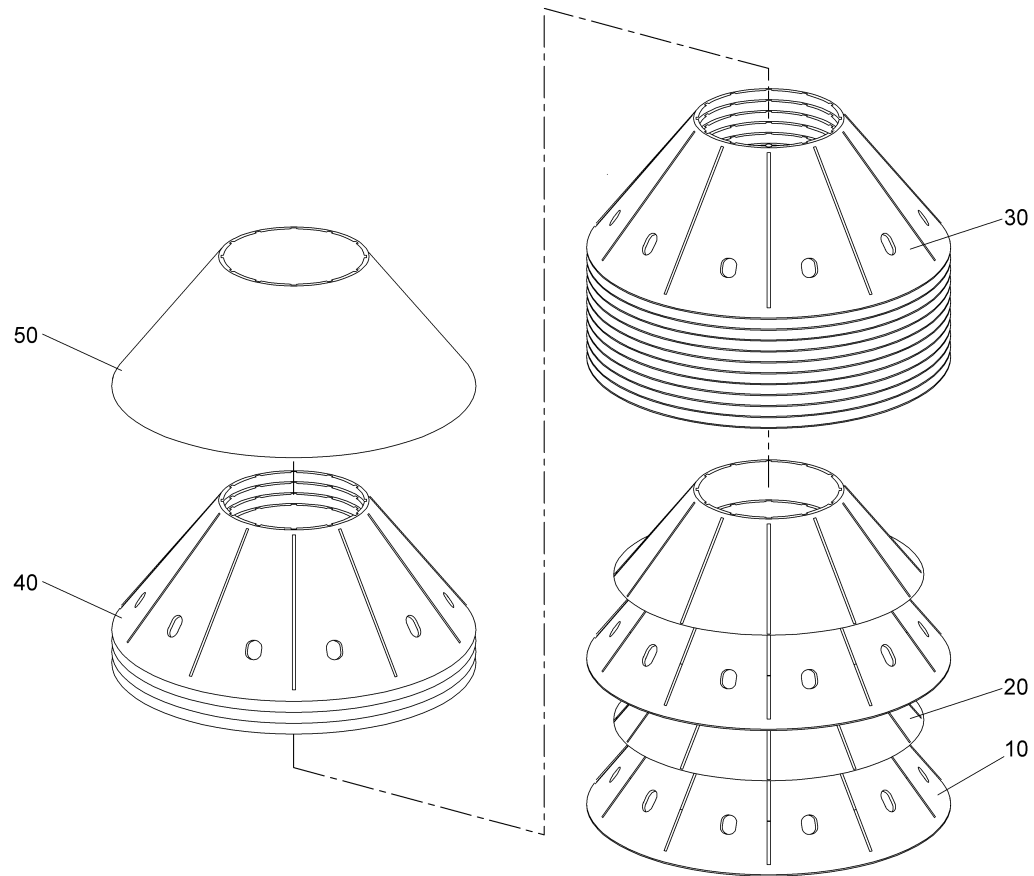
PARTS CATALOG

ORDER-NO : 121681749 MACHINE SERIAL-NO : 1728-741
 Main Item 001000 BOWL SERIAL-NO : 1728-741
 TYPE : RSE 220-01-777 CONTROL CABINET SIN :
 MATERIAL-NO. : 9987-0209-450

PLANT SERIAL-NO. :
 CONVEYOR SCREW SERIAL-NO:

Sheet: 60

SpareP	Draw N	Pos	Part-No.	Description	Qty	UN	ETS	AUFL.IN ET- ZEICH.NR.
	2335-4756-000		2335-6660-010	TELLEREINSATZ VOLLST. DISC STACK, COMPL.	1,000	PC	3	
		0010	2335-6663-000	TELLER VOLLST. DISC, COMPL.	20,000	PC	2	
		0020	2298-6663-010	TELLER VOLLST. DISC, COMPL.	20,000	PC	2	
		0030	2335-6663-010	TELLER VOLLST. DISC, COMPL.	132,000	PC	2	
		0040	2335-6664-000	AUSGLEICHTELLER VOLLST. COMPENSATING DISC, COMPLETE	3,000	PC	2	
		0050	2335-6666-000	ABSCHLUSSTELLER BLIND DISC	1,000	PC	2	



Westfalia Separator AG

Datum:
08.01.05

Zeichnungs-Nr.:
2335-4756-000

Blatt
1

1 Blätter

PARTS CATALOG

ORDER-NO : 121681749 MACHINE SERIAL-NO : 1728-741 PLANT SERIAL-NO. :
Main Item 001000 BOWL SERIAL-NO : 1728-741 CONVEYOR SCREW SERIAL-NO:
TYPE : RSE 220-01-777 CONTROL CABINET SIN :
MATERIAL-NO. : 9987-0209-450

Sheet: 62

SpareP	Draw N	Pos	Part-No.	Description	Qty	UN	ETS	AUFL.IN ET- ZEICH.NR.
			2298-6462-000	HUELSE SLEEVE	1,000	PC	2	

PARTS CATALOG

ORDER-NO : 121681749 MACHINE SERIAL-NO : 1728-741
 Main Item 001000 BOWL SERIAL-NO : 1728-741
 TYPE : RSE 220-01-777 CONTROL CABINET SIN :
 MATERIAL-NO. : 9987-0209-450

PLANT SERIAL-NO. :
 CONVEYOR SCREW SERIAL-NO:

Sheet: 63

SpareP	Draw N	Pos	Part-No.	Description	Qty	UN	ETS	AUFL.IN ET- ZEICH.NR.
			2298-2110-130	SATZ ROHRANSCHLUSSTEILE SET OF PIPE CONNECTION PARTS	1,000	PC	1	
		0010	0018-6896-400	WELLROHRSCHLAUCH VOLLST. CORRUGATED TUBE, COMPL.	1,000	PC	2	
		0020	0007-2520-600	DICHTRING GASKET	1,000	PC	2	
		0030	0018-5615-400	KEGELSTUTZEN CONE CONNECTION PIECE	1,000	PC	2	
		0040	0013-2851-300	NUTUEBERWURFMUTTER GROOVED COUPLING NUT	1,000	PC	2	
		0050	0018-3577-400	UEBERGANGSSTUECK VOLLST. TRANSITION PIECE, COMPL.	1,000	PC	2	
		0070	0013-2842-300	NUTUEBERWURFMUTTER GROOVED COUPLING NUT	1,000	PC	2	
		0080	0018-2977-400	WELLROHRSCHLAUCH VOLLST. CORRUGATED TUBE, COMPL.	1,000	PC	2	
		0090	0007-2210-600	DICHTRING GASKET	1,000	PC	2	
		0110	0013-2844-300	NUTUEBERWURFMUTTER GROOVED COUPLING NUT	1,000	PC	2	

PARTS CATALOG

ORDER-NO : 121681749 MACHINE SERIAL-NO : 1728-741
 Main Item 001000 BOWL SERIAL-NO : 1728-741
 TYPE : RSE 220-01-777 CONTROL CABINET SIN :
 MATERIAL-NO. : 9987-0209-450

PLANT SERIAL-NO. :
 CONVEYOR SCREW SERIAL-NO:

Sheet: 64

SpareP	Draw N	Pos	Part-No.	Description	Qty	UN	ETS	AUFL.IN ET- ZEICH.NR.
			2298-2110-030	SATZ ROHRANSCHLUSSTEILE SET OF PIPE CONNECTION PARTS	1,000	PC	9	
		0010	0018-6896-400	WELLROHRSCHLAUCH VOLLST. CORRUGATED TUBE, COMPL.	1,000	PC	2	
		0020	0018-4092-300	GEWINDESTUTZEN THREADED CONNECTION	1,000	PC	2	
		0040	0013-2851-300	NUTUEBERWURFMUTTER GROOVED COUPLING NUT	1,000	PC	2	
		0050	0007-2520-600	DICHTRING GASKET	2,000	PC	2	

PARTS CATALOG

ORDER-NO : 121681749 MACHINE SERIAL-NO : 1728-741 PLANT SERIAL-NO. :
 Main Item 001000 BOWL SERIAL-NO : 1728-741 CONVEYOR SCREW SERIAL-NO:
 TYPE : RSE 220-01-777 CONTROL CABINET SIN :
 MATERIAL-NO. : 9987-0209-450

Sheet: 65

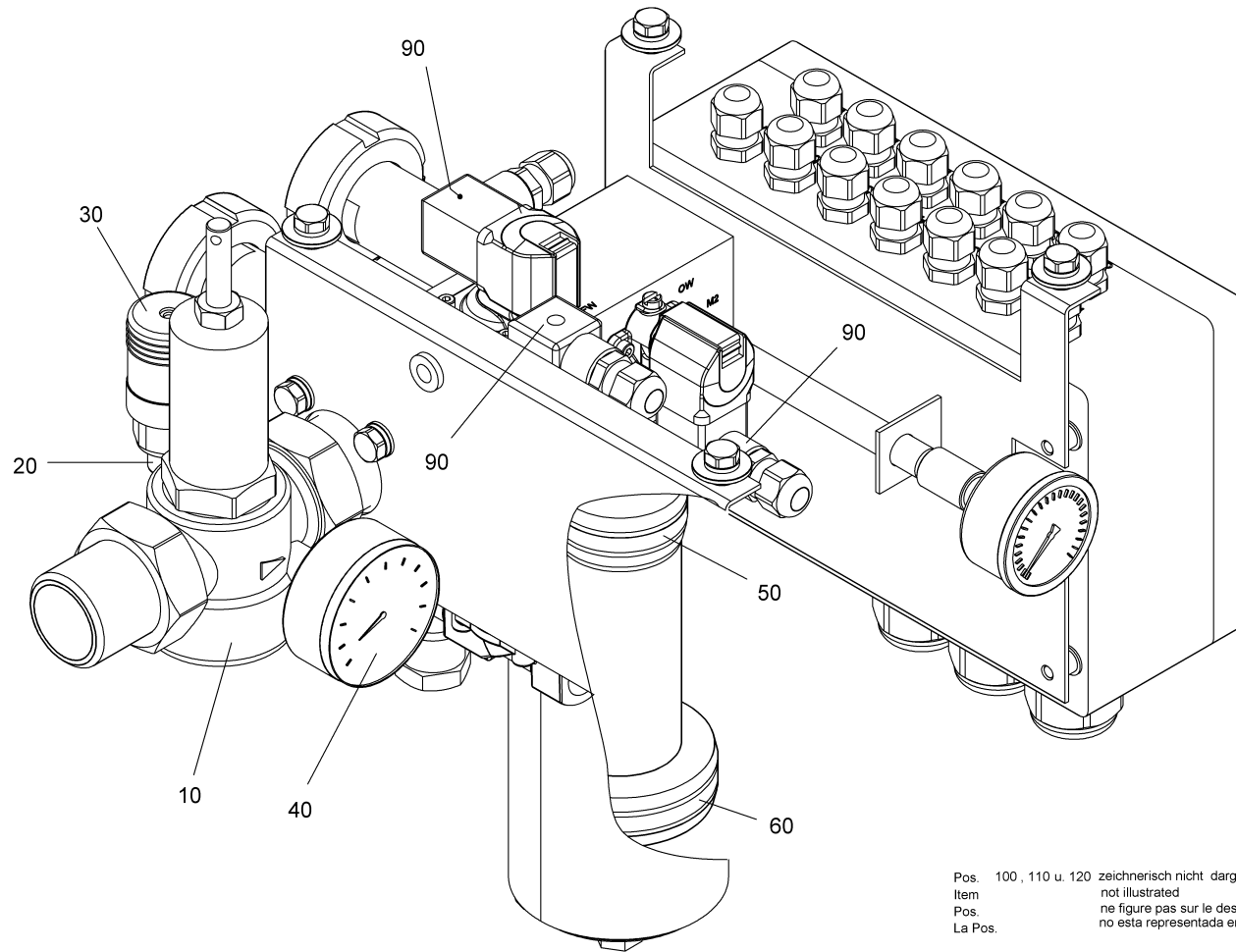
SpareP	Draw N	Pos	Part-No.	Description	Qty	UN	ETS	AUFL.IN ET- ZEICH.NR.
	8134-4752-097		8134-2105-690	STEUERWASSERANSCHLUSS M.SCHUTZK.V. OPERAT.WATER CONNECTION W.CAP,CPL.	1,000	PC	1	
		0010	0018-1742-650	WASSERDRUCKMINDERER WATER PRESSURE REDUCER	1,000	PC	1	8134-4751-004
		0020	0005-4111-010	DRUCKSCHALTER PRESSURE SWITCH	1,000	PC	2	
		0030	0005-4111-890	GERAETESTECKDOSE COUPLER SOCKET	1,000	PC	2	
		0040	0001-0299-610	DRUCKMESSGERAET PRESSURE GAUGE	1,000	PC	2	
		0050	0007-3202-750	DICHTRING GASKET	1,000	PC	2	
		0060	0007-3203-750	DICHTRING GASKET	1,000	PC	2	
		0070	0000-0006-162	ENTFAELLT NOT APPLICABLE	1,000	PC	7	
		0080	0000-0006-162	ENTFAELLT NOT APPLICABLE	3,000	PC	7	
		0090	0005-0637-000	STECKDOSE WALL SOCKET	4,000	PC	2	
		0100	8134-0085-002	VENTILKOLBEN VALVE PISTON	1,000	PC	2	
		0110	8134-0085-003	DRUCKFEDER PRESSURE SPRING	1,000	PC	2	

PARTS CATALOG

ORDER-NO : 121681749 MACHINE SERIAL-NO : 1728-741 PLANT SERIAL-NO. :
Main Item 001000 BOWL SERIAL-NO : 1728-741 CONVEYOR SCREW SERIAL-NO:
TYPE : RSE 220-01-777 CONTROL CABINET SIN :
MATERIAL-NO. : 9987-0209-450

Sheet: 66

SpareP	Draw N	Pos	Part-No.	Description	Qty	UN	ETS	AUFL.IN ET- ZEICH.NR.
		0120	8134-9902-450	SATZ ERSATZTEILE SET OF SPARE PARTS	1,000	PC	2	



Westfalia Separator AG

Datum:
25.04.07

Zeichnungs-Nr.:
8134-4752-097

Blatt
1

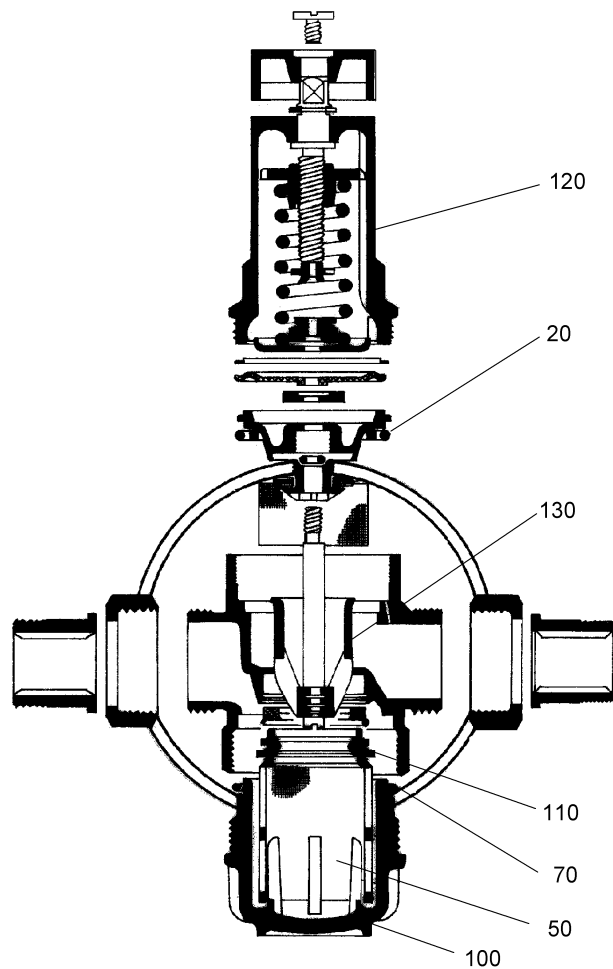
1 Blätter

PARTS CATALOG

ORDER-NO : 121681749 MACHINE SERIAL-NO : 1728-741 PLANT SERIAL-NO. :
 Main Item 001000 BOWL SERIAL-NO : 1728-741 CONVEYOR SCREW SERIAL-NO:
 TYPE : RSE 220-01-777 CONTROL CABINET SIN :
 MATERIAL-NO. : 9987-0209-450

Sheet: 68

SpareP	Draw N	Pos	Part-No.	Description	Qty	UN	ETS	AUFL.IN ET- ZEICH.NR.
	8134-4751-004		0018-1742-650	WASSERDRUCKMINDERER WATER PRESSURE REDUCER	1,000	PC	1	
		0020	0007-1907-750	DICHTRING GASKET	1,000	PC	2	
		0050	0018-1741-030	EINFACHSIEB SINGLE STRAINER	1,000	PC	2	
		0070	0007-2929-750	DICHTRING GASKET	1,000	PC	2	
		0100	0018-1741-610	SIEBSTOPFEN STRAINER PLUG	1,000	PC	2	
		0110	0018-1741-620	NUTRINGHALTER GROOVED RING HOLDER	1,000	PC	2	
		0120	0018-1741-040	FEDERHAUBE VOLLST. SPRING RETAINER, COMPL.	1,000	PC	2	
		0130	0018-1741-100	VENTILEINSATZ VOLLST. VALVE CASE, COMPL.	1,000	PC	2	



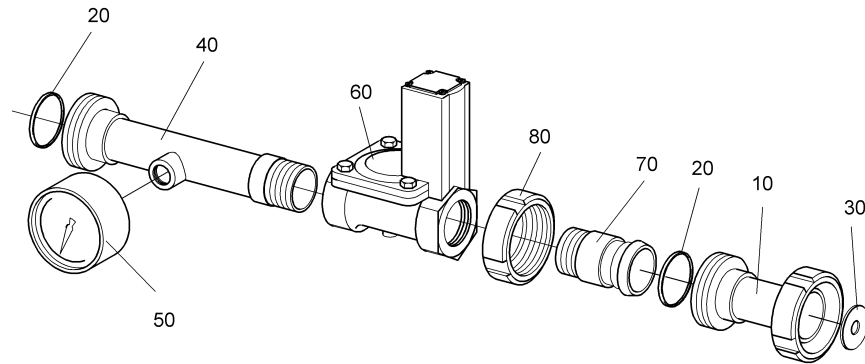
PARTS CATALOG

ORDER-NO : 121681749 MACHINE SERIAL-NO : 1728-741
 Main Item 001000 BOWL SERIAL-NO : 1728-741
 TYPE : RSE 220-01-777 CONTROL CABINET SIN :
 MATERIAL-NO. : 9987-0209-450

PLANT SERIAL-NO. :
 CONVEYOR SCREW SERIAL-NO:

Sheet: 70

SpareP	Draw N	Pos	Part-No.	Description	Qty	UN	ETS	AUFL.IN ET- ZEICH.NR.
			8134-2219-190	STEUERLEITUNG VOLLST. CONTROL LINE, COMPL.	1,000	PC	1	
		0010	0018-3757-400	UEBERGANGSSTUECK VOLLST. TRANSITION PIECE, COMPL.	1,000	PC	2	
		0020	0007-2208-600	DICHTRING GASKET	2,000	PC	2	
		0030	0018-4470-400	BLLENDE LENS COVER	1,000	PC	2	
		0040	8134-2448-050	ROHR GESCHW. PIPE, WELDED	1,000	PC	2	
		0050	0001-0300-400	MANOMETER PRESSURE GAUGE	1,000	PC	2	
		0060	0018-7394-650	2/2-WEGE-MAGNETVENTIL VOLLST. 2/2-WAY SOLENOID VALVE COMPL.	1,000	PC	1	
			0018-7394-600	2/2-WEGE-MAGNETVENTIL 2/2 WAY SOLENOID VALVE	1,000	PC	2	
			0005-0637-000	STECKDOSE WALL SOCKET	1,000	PC	2	
		0070	0018-4174-300	EINSCHRAUB-KEGELSTUTZEN THREADED CONE CONNECTION	1,000	PC	2	
		0080	0013-2842-300	NUTUEBERWURFMUTTER GROOVED COUPLING NUT	1,000	PC	2	



Westfalia Separator AG

Datum:
27.11.2000

Zeichnungs-Nr.:
8134-4752-012

Blatt
1

1 Blätter

PARTS CATALOG

ORDER-NO : 121681749 MACHINE SERIAL-NO : 1728-741 PLANT SERIAL-NO. :
 Main Item 001000 BOWL SERIAL-NO : 1728-741 CONVEYOR SCREW SERIAL-NO:
 TYPE : RSE 220-01-777 CONTROL CABINET SIN :
 MATERIAL-NO. : 9987-0209-450

Sheet: 72

SpareP	Draw N	Pos	Part-No.	Description	Qty	UN	ETS	AUFL.IN ET- ZEICH.NR.
	2298-4759-005		2298-9900-030	SATZ WERKZEUGE SET OF TOOLS	1,000	PC	1	
		0010	0003-0065-030	EINSATZHEBER LIFTER	1,000	PC	2	
		0040	0003-0086-320	EINMAULSCHLUESSEL SINGLE-ENDED WRENCH	1,000	PC	2	
		0060	0003-0156-000	HAKEN HOOK	1,000	PC	2	
		0080	0003-0289-280	DORN MANDREL	1,000	PC	2	
		0100	0003-0544-000	STIFTSCHLUESSEL VOLLST. PIN SPANNER, COMPL.	1,000	PC	1	
			0019-7037-150	SECHSKANTSCHRAUBE HEX HEAD SCREW	2,000	PC	2	
			0026-2255-890	KAPPE CAP	2,000	PC	2	
		0105	0003-0644-600	SCHLAGBOLZEN MALLET	1,000	PC	2	
		0120	0003-2768-170	HEBEZANGE LIFTING TONGS	1,000	PC	2	
		0140	0003-3727-030	SCHLUESSEL VOLLST. WRENCH, COMPL.	1,000	PC	2	
		0160	0003-3845-000	GELENKHAKENSCHLUESSEL PIVOTED HOOK WRENCH	1,000	PC	2	

PARTS CATALOG

ORDER-NO : 121681749 MACHINE SERIAL-NO : 1728-741
 Main Item 001000 BOWL SERIAL-NO : 1728-741
 TYPE : RSE 220-01-777 CONTROL CABINET SIN :
 MATERIAL-NO. : 9987-0209-450

PLANT SERIAL-NO. :
 CONVEYOR SCREW SERIAL-NO:

Sheet: 73

SpareP	Draw N	Pos	Part-No.	Description	Qty	UN	ETS	AUFL.IN ET- ZEICH.NR.
		0170	0003-3846-000	GELENKHAKENSCHLUESSEL PIVOTED HOOK WRENCH	1,000	PC	2	
		0180	0003-4077-030	RINGSCHLUESSEL ANNULAR WRENCH	1,000	PC	2	
		0200	0003-4193-030	STECKSCHLUESSEL VOLLST. SOCKET WRENCH, COMPL.	1,000	PC	2	
		0220	0003-0476-320	SCHLUESSEL WRENCH	1,000	PC	2	
		0230	0003-4223-320	EINMAULSCHLUESSEL SINGLE-ENDED WRENCH	1,000	PC	2	
		0300	0013-0388-030	RINGMUTTER RING NUT	2,000	PC	2	
		0420	0019-5308-300	HOLZSCHRAUBE WOOD SCREW	3,000	PC	2	
		0440	0019-5384-050	RINGSCHRAUBE EYE SCREW	2,000	PC	2	
		0460	0019-6982-150	SECHSKANTSCHRAUBE HEX HEAD SCREW	4,000	PC	2	
		0580	0026-1605-030	ZYLINDERSTIFT CYLINDRICAL PIN	1,000	PC	2	
		0590	0026-0253-030	SCHAEKEL SHACKLE	2,000	PC	2	
		0700	1165-9895-030	STECKSCHLUESSEL VOLLST. SOCKET WRENCH, COMPL.	1,000	PC	1	1165-4759-002

PARTS CATALOG

ORDER-NO : 121681749 MACHINE SERIAL-NO : 1728-741
 Main Item 001000 BOWL SERIAL-NO : 1728-741
 TYPE : RSE 220-01-777 CONTROL CABINET SIN :
 MATERIAL-NO. : 9987-0209-450

PLANT SERIAL-NO. :
 CONVEYOR SCREW SERIAL-NO:

Sheet: 74

SpareP	Draw N	Pos	Part-No.	Description	Qty	UN	ETS	AUFL.IN ET- ZEICH.NR.
		0730	1231-9862-000	SPINDELAUSHEBER VOLLST. SPINDLE LIFTING DEVICE, COMPL.	1,000	PC	2	
		0740	1235-9860-010	MONTAGEVORRICHTUNG VOLLST. MOUNTING TOOL, COMPL.	1,000	PC	1	
			1235-9869-020	AUFNAHMEDORN HOLDING ARBOR	1,000	PC	2	
			1235-9869-030	AUFNAHMEDORN HOLDING ARBOR	1,000	PC	2	
		0760	1250-9960-000	AUSHEBEVORRICHTUNG VOLLST. LIFTING DEVICE CPL.	1,000	PC	1	1250-4759-002
		0780	1353-9982-000	RINGSCHRAUBE VOLLST. EYE BOLT, COMPL.	1,000	PC	2	
		0885	2298-9970-000	AUSHEBEVORRICHTUNG VOLLST. LIFTING DEVICE CPL.	1,000	PC	1	2298-4759-003
		0900	3287-9808-000	SATZ SCHEIBEN SET OF DISKS	1,000	PC	1	
			3287-9939-020	SCHEIBE WASHER / DISK	4,000	PC	2	
		0930	3287-9877-010	BOLZEN BOLT	1,000	PC	2	
		0960	3287-9877-020	BOLZEN BOLT	1,000	PC	2	
		0990	3289-9800-020	ABZIEHVORRICHTUNG VOLLST. PULLING DEVICE, COMPL.	1,000	PC	1	3289-4759-005

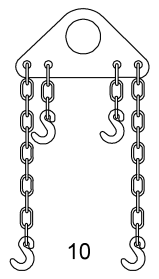
PARTS CATALOG

ORDER-NO : 121681749 MACHINE SERIAL-NO : 1728-741
 Main Item 001000 BOWL SERIAL-NO : 1728-741
 TYPE : RSE 220-01-777 CONTROL CABINET SIN :
 MATERIAL-NO. : 9987-0209-450

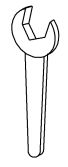
PLANT SERIAL-NO. :
 CONVEYOR SCREW SERIAL-NO:

Sheet: 75

SpareP	Draw N	Pos	Part-No.	Description	Qty	UN	ETS	AUFL.IN ET- ZEICH.NR.
		1020	2298-9820-000	PRESSVORRICHTUNG VOLLST. COMPRESSING DEVICE, COMPL.	1,000	PC	1	2298-4759-002
		1070	3306-9970-000	AUSHEBEVORRICHTUNG VOLLST. LIFTING DEVICE CPL.	1,000	PC	1	3306-4759-002
		1090	3370-9800-020	ABZIEHVORRICHTUNG VOLLST. PULLING DEVICE, COMPL.	1,000	PC	1	3370-4759-001
		1120	2298-9860-000	MONTAGEVORRICHTUNG VOLLST. MOUNTING TOOL, COMPL.	1,000	PC	1	2298-4759-007



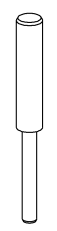
10



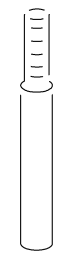
40
220
230



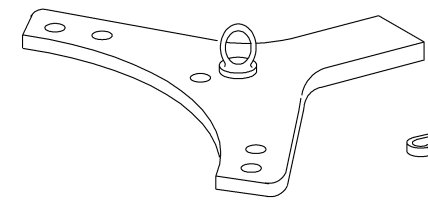
60



80



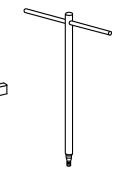
105



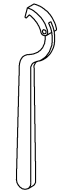
100



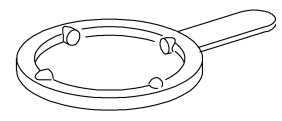
120



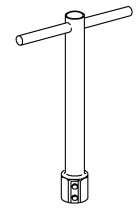
140



160
170



180



200



300



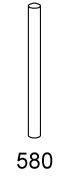
440
730



420



460



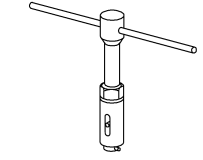
580



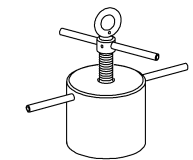
590



780



700



760



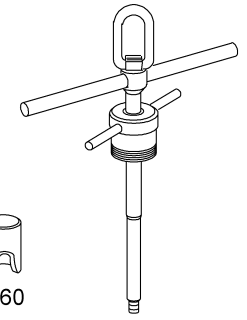
740



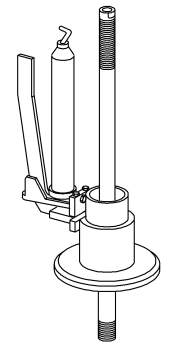
930



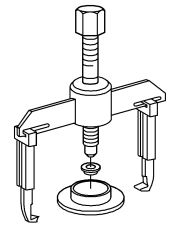
960



1070



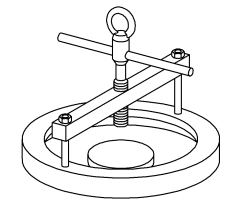
1020



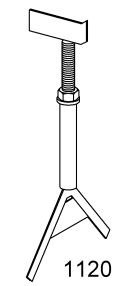
1090



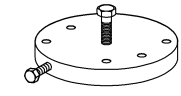
900



885



1120



990



Westfalia Separator AG

Datum:
15.07.04

Zeichnungs-Nr.:
2298-4759-005

Blatt 1
1 Blätter

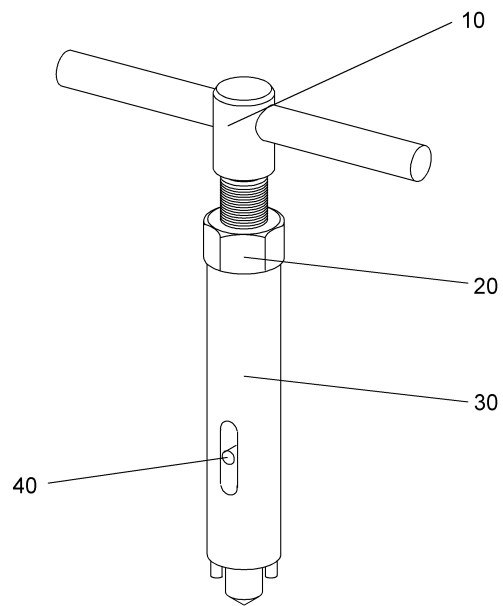
PARTS CATALOG

ORDER-NO : 121681749 MACHINE SERIAL-NO : 1728-741
 Main Item 001000 BOWL SERIAL-NO : 1728-741
 TYPE : RSE 220-01-777 CONTROL CABINET SIN :
 MATERIAL-NO. : 9987-0209-450

PLANT SERIAL-NO. :
 CONVEYOR SCREW SERIAL-NO:

Sheet: 77

SpareP	Draw N	Pos	Part-No.	Description	Qty	UN	ETS	AUFL.IN ET- ZEICH.NR.
	1165-4759-002		1165-9895-030	STECKSCHLUESSEL VOLLST. SOCKET WRENCH, COMPL.	1,000	PC	1	
		0010	0019-1337-090	GEWINDESPINDEL VOLLST. THREADED SPINDLE, COMPL.	1,000	PC	2	
		0020	0013-0286-150	SECHSKANTMUTTER HEXAGON NUT	1,000	PC	2	
		0030	1165-9867-020	HUELSE VOLLST. SLEEVE, COMPL.	1,000	PC	2	
		0040	0026-1099-400	ZYLINDERSTIFT CYLINDRICAL PIN	1,000	PC	2	



Westfalia Separator AG

Datum:
27.01.2003

Zeichnungs-Nr.:
1165-4759-002

Blatt
1

1 Blätter

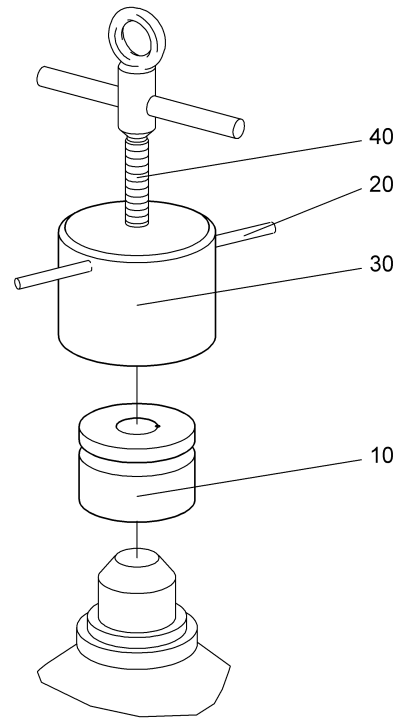
PARTS CATALOG

ORDER-NO : 121681749 MACHINE SERIAL-NO : 1728-741
 Main Item 001000 BOWL SERIAL-NO : 1728-741
 TYPE : RSE 220-01-777 CONTROL CABINET SIN :
 MATERIAL-NO. : 9987-0209-450

PLANT SERIAL-NO. :
 CONVEYOR SCREW SERIAL-NO:

Sheet: 79

SpareP	Draw N	Pos	Part-No.	Description	Qty	UN	ETS	AUFL.IN ET- ZEICH.NR.
	1250-4759-002		1250-9960-000	AUSHEBEVORRICHTUNG VOLLST. LIFTING DEVICE CPL.	1,000	PC	1	
		0010	1250-9462-000	HUELSE SLEEVE	1,000	PC	2	
		0020	1250-9959-000	GEHAEUSE HOUSING	1,000	PC	2	
		0030	0026-1678-150	KERBSTIFT NOTCHED PIN	2,000	PC	2	
		0040	1165-9964-020	GEWINDESPINDEL VOLLST. THREADED SPINDLE, COMPL.	1,000	PC	1	1165-4759-001



Westfalia Separator AG

Datum:
30.08.2002

Zeichnungs-Nr.:
1250-4759-002

Blatt
1

1 Blätter

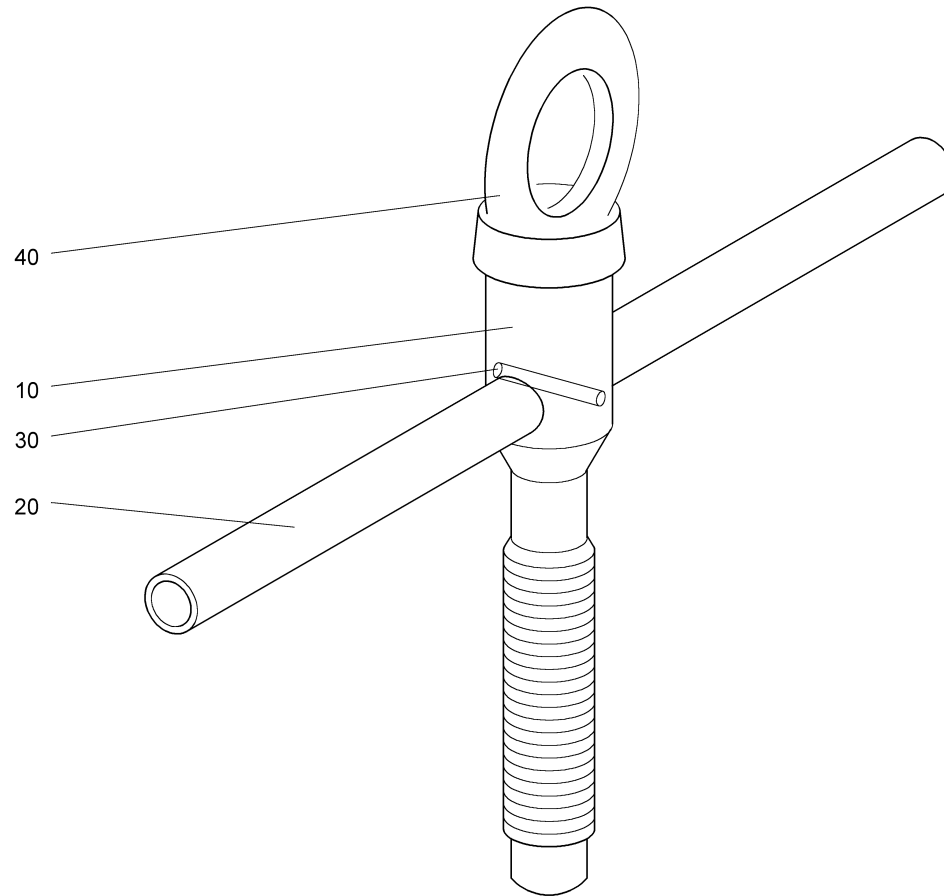
PARTS CATALOG

ORDER-NO : 121681749 MACHINE SERIAL-NO : 1728-741
 Main Item 001000 BOWL SERIAL-NO : 1728-741
 TYPE : RSE 220-01-777 CONTROL CABINET SIN :
 MATERIAL-NO. : 9987-0209-450

PLANT SERIAL-NO. :
 CONVEYOR SCREW SERIAL-NO:

Sheet: 81

SpareP	Draw N	Pos	Part-No.	Description	Qty	UN	ETS	AUFL.IN ET- ZEICH.NR.
	1165-4759-001		1165-9964-020	GEWINDESPINDEL VOLLST. THREADED SPINDLE, COMPL.	1,000	PC	1	
		0010	0019-1880-090	GEWINDESPINDEL THREADED SPINDLE	1,000	PC	2	
		0020	0018-0049-000	DREHSTIFT TOMMY BAR	1,000	PC	2	
		0030	0026-1094-400	ZYLINDERSTIFT CYLINDRICAL PIN	1,000	PC	2	
		0040	0019-5386-050	RINGSCHRAUBE EYE SCREW	1,000	PC	2	



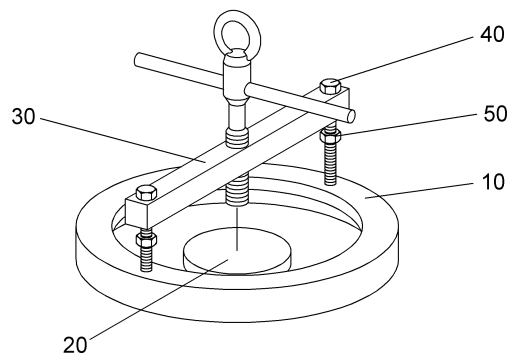
PARTS CATALOG

ORDER-NO : 121681749 MACHINE SERIAL-NO : 1728-741
 Main Item 001000 BOWL SERIAL-NO : 1728-741
 TYPE : RSE 220-01-777 CONTROL CABINET SIN :
 MATERIAL-NO. : 9987-0209-450

PLANT SERIAL-NO. :
 CONVEYOR SCREW SERIAL-NO:

Sheet: 83

SpareP	Draw N	Pos	Part-No.	Description	Qty	UN	ETS	AUFL.IN ET- ZEICH.NR.
	2298-4759-003		2298-9970-000	AUSHEBEVORRICHTUNG VOLLST. LIFTING DEVICE CPL.	1,000	PC	1	
		0010	2318-9851-000	GEWINDERING THREADED RING	1,000	PC	2	
		0020	2298-9939-010	SCHEIBE WASHER / DISK	1,000	PC	2	
		0030	2298-9929-000	ABZIEHER PULLER	1,000	PC	2	
		0040	0019-6985-300	SECHSKANTSCHRAUBE HEX HEAD SCREW	2,000	PC	2	
		0050	0013-0280-400	SECHSKANTMUTTER HEXAGON NUT	2,000	PC	2	



Westfalia Separator AG

Datum:
06.03.2003

Zeichnungs-Nr.:
2298-4759-003

Blatt
1

1 Blätter

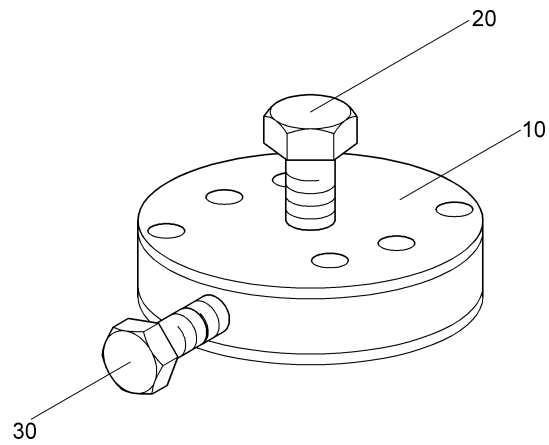
PARTS CATALOG

ORDER-NO : 121681749 MACHINE SERIAL-NO : 1728-741
 Main Item 001000 BOWL SERIAL-NO : 1728-741
 TYPE : RSE 220-01-777 CONTROL CABINET SIN :
 MATERIAL-NO. : 9987-0209-450

PLANT SERIAL-NO. :
 CONVEYOR SCREW SERIAL-NO:

Sheet: 85

SpareP	Draw N	Pos	Part-No.	Description	Qty	UN	ETS	AUFL.IN ET- ZEICH.NR.
	3289-4759-005		3289-9800-020	ABZIEHVORRICHTUNG VOLLST. PULLING DEVICE, COMPL.	1,000	PC	1	
		0010	3289-9911-010	ABZIEHVORRICHTUNG PULLING DEVICE	1,000	PC	2	
		0020	0019-7210-150	SECHSKANTSCHRAUBE HEX HEAD SCREW	1,000	PC	2	
		0030	0019-6740-150	SECHSKANTSCHRAUBE HEX HEAD SCREW	1,000	PC	2	



Westfalia Separator AG

Datum:
30.04.2003

Zeichnungs-Nr.:
3289-4759-005

Blatt
1

1 Blätter

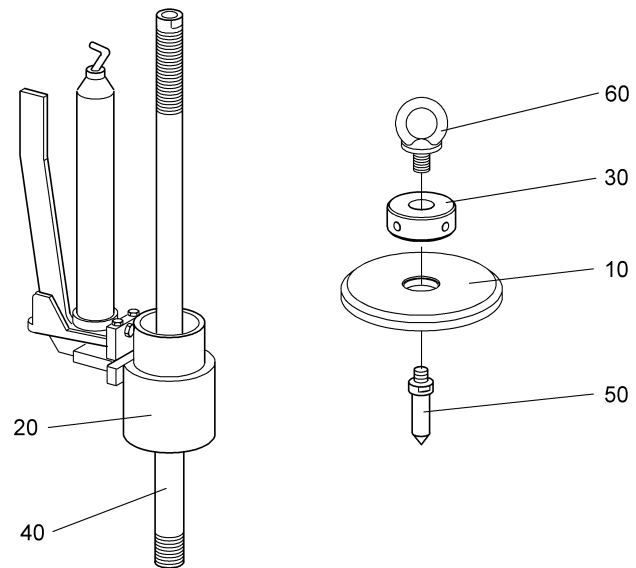
PARTS CATALOG

ORDER-NO : 121681749 MACHINE SERIAL-NO : 1728-741
 Main Item 001000 BOWL SERIAL-NO : 1728-741
 TYPE : RSE 220-01-777 CONTROL CABINET SIN :
 MATERIAL-NO. : 9987-0209-450

PLANT SERIAL-NO. :
 CONVEYOR SCREW SERIAL-NO:

Sheet: 87

SpareP	Draw N	Pos	Part-No.	Description	Qty	UN	ETS	AUFL.IN ET- ZEICH.NR.
	2298-4759-002		2298-9820-000	PRESSVORRICHTUNG VOLLST. COMPRESSING DEVICE, COMPL.	1,000	PC	1	
		0010	2298-9939-000	SCHEIBE WASHER / DISK	1,000	PC	2	
		0020	1235-9770-000	HYDRAULIK VOLLST. HYDRAULIC UNIT, COMPL.	1,000	PC	1	1231-4759-000
		0030	3306-9851-000	GEWINDERING THREADED RING	1,000	PC	2	
		0040	1245-9877-010	GEWINDEBOLZEN THREADED BOLT	1,000	PC	2	
		0050	1357-9935-000	DRUCKSTUECK PRESSURE PIECE	1,000	PC	2	
		0060	0013-0392-030	RINGMUTTER RING NUT	1,000	PC	2	



Westfalia Separator AG

Datum:
06.03.2003

Zeichnungs-Nr.:
2298-4759-002

Blatt
1

1 Blätter

PARTS CATALOG

ORDER-NO : 121681749 MACHINE SERIAL-NO : 1728-741
 Main Item 001000 BOWL SERIAL-NO : 1728-741
 TYPE : RSE 220-01-777 CONTROL CABINET SIN :
 MATERIAL-NO. : 9987-0209-450

PLANT SERIAL-NO. :
 CONVEYOR SCREW SERIAL-NO:

Sheet: 89

SpareP	Draw N	Pos	Part-No.	Description	Qty	UN	ETS	AUFL.IN ET- ZEICH.NR.
	1231-4759-000		1235-9770-000	HYDRAULIK VOLLST. HYDRAULIC UNIT, COMPL.	1,000	PC	1	
		0010	1226-1306-000	RINGKOLBEN ANNULAR PISTON	1,000	PC	2	
		0020	0007-2608-750	DICHTRING GASKET	2,000	PC	2	
		0030	0007-2052-750	DICHTRING GASKET	2,000	PC	2	
		0040	1226-1305-000	HYDRAULIKZYLINDER VOLLST. HYDRAULIC CYLINDER, COMPLETE	1,000	PC	1	
			0024-3371-000	SCHILD PLATE	1,000	PC	2	
			0026-1571-300	KERBNAGEL NOTCHED NAIL	2,000	PC	2	
		0050	0004-1918-550	DICHTUNG GASKET	1,000	PC	2	
		0060	0019-6119-400	ZYLINDERSCHRAUBE ALLEN SCREW	1,000	PC	2	
		0070	1167-1204-000	ANSCHLUSSSTUECK CONNECTING PIECE	1,000	PC	2	
		0080	0026-1493-400	KUGEL BALL	1,000	PC	2	
		0090	0006-4070-160	ZYLINDRISCHE DRUCKFEDER CYLINDRICAL PRESSURE SPRING	1,000	PC	2	

PARTS CATALOG

ORDER-NO : 121681749 MACHINE SERIAL-NO : 1728-741 PLANT SERIAL-NO. :
 Main Item 001000 BOWL SERIAL-NO : 1728-741 CONVEYOR SCREW SERIAL-NO:
 TYPE : RSE 220-01-777 CONTROL CABINET SIN :
 MATERIAL-NO. : 9987-0209-450

Sheet: 90

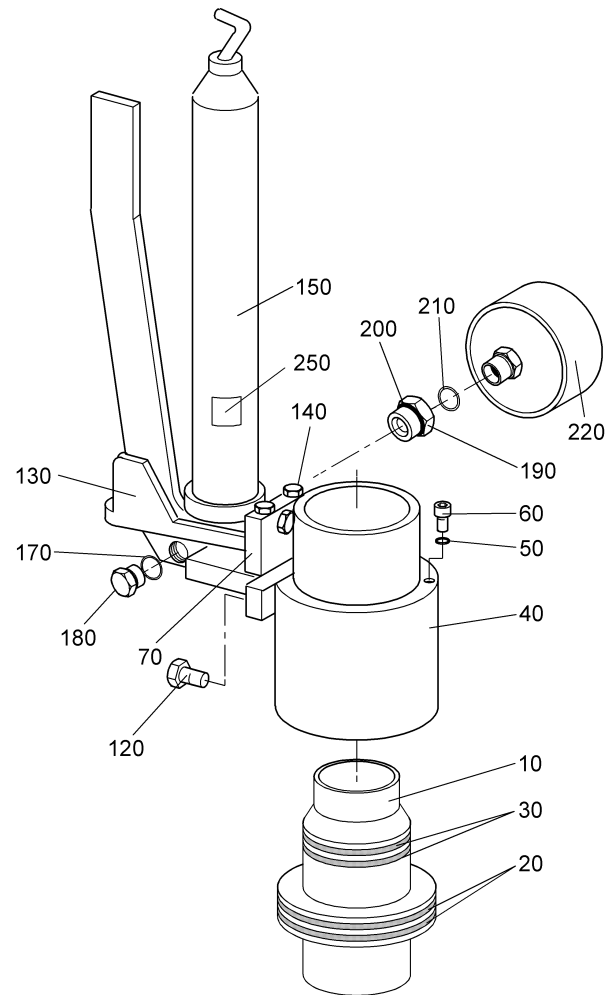
SpareP	Draw N	Pos	Part-No.	Description	Qty	UN	ETS	AUFL.IN ET- ZEICH.NR.
		0100	1167-9916-010	GEWINDEHUELSE THREADED SLEEVE	1,000	PC	2	
		0110	0004-2108-760	DICHTUNG GASKET	2,000	PC	2	
		0120	0019-6906-400	SECHSKANTSCHRAUBE HEX HEAD SCREW	2,000	PC	2	
		0130	1231-9931-000	HALTER GESCHW. HOLDER, WELDED	1,000	PC	1	
			0019-6935-300	SECHSKANTSCHRAUBE HEX HEAD SCREW	1,000	PC	2	
			0013-0050-030	SECHSKANTMUTTER HEXAGON NUT	1,000	PC	2	
		0140	0019-6499-150	SECHSKANTSCHRAUBE HEX HEAD SCREW	2,000	PC	2	
		0150	0003-3017-000	HANDHEBELPRESSE VOLLST. LEVER-TYPE GREASE GUN, COMPL.	1,000	PC	1	
			0004-1781-750	DICHTUNG GASKET	1,000	PC	2	
			0019-9114-300	VERSCHLUSSSCHRAUBE SCREW PLUG	1,000	PC	2	
		0160	1167-9916-020	HOHLSCHRAUBE HOLLOW SCREW	1,000	PC	2	
		0170	0007-2508-750	DICHTRING GASKET	1,000	PC	2	

PARTS CATALOG

ORDER-NO : 121681749 MACHINE SERIAL-NO : 1728-741 PLANT SERIAL-NO. :
 Main Item 001000 BOWL SERIAL-NO : 1728-741 CONVEYOR SCREW SERIAL-NO:
 TYPE : RSE 220-01-777 CONTROL CABINET SIN :
 MATERIAL-NO. : 9987-0209-450

Sheet: 91

SpareP	Draw N	Pos	Part-No.	Description	Qty	UN	ETS	AUFL.IN ET- ZEICH.NR.
		0180	1167-9916-000	GEWINDESTOPFEN THREADED PLUG	1,000	PC	2	
		0190	0018-0840-050	REDUZIERMUFFE REDUCING SLEEVE	1,000	PC	2	
		0200	0004-5266-550	DICHTUNG GASKET	1,000	PC	2	
		0210	0007-2099-850	DICHTRING GASKET	1,000	PC	2	
		0220	0001-0277-600	DRUCKMESSGERAET PRESSURE GAUGE	1,000	PC	2	
		0230	1235-9778-000	SATZ ERSATZTEILE F.HYDRAULIK SET OF SPARE PARTS FOR HYDR. SYSTEM	1,000	PC	2	
		0240	1167-9787-000	KASTEN CASE	1,000	PC	2	
		0250	0024-5072-000	KLEBESCHILD ADHESIVE PLATE	1,000	PC	2	
		0260	6969-0200-250	SCHMIERFETT LUBRICATING GREASE	0,500	KG	2	
		0270	0004-2111-760	DICHTUNG GASKET	1,000	PC	2	
		0360	0024-6110-000	KLEBESCHILD ADHESIVE PLATE	1,000	PC	2	
		0370	0024-6110-000	KLEBESCHILD ADHESIVE PLATE	1,000	PC	2	



Pos.	80, 90, 100, 110, 160, 230,	zeichnerisch nicht dargestellt
Item	240, 260, 270, 360, 370	not illustrated
Pos.	" "	ne figure pas sur le dessin
La Pos.	" "	no esta representada en el dibujo



Westfalia Separator AG

Datum:

19.03.2003

Zeichnungs-Nr.:

1231-4759-000

Blatt

1

1 Blätter

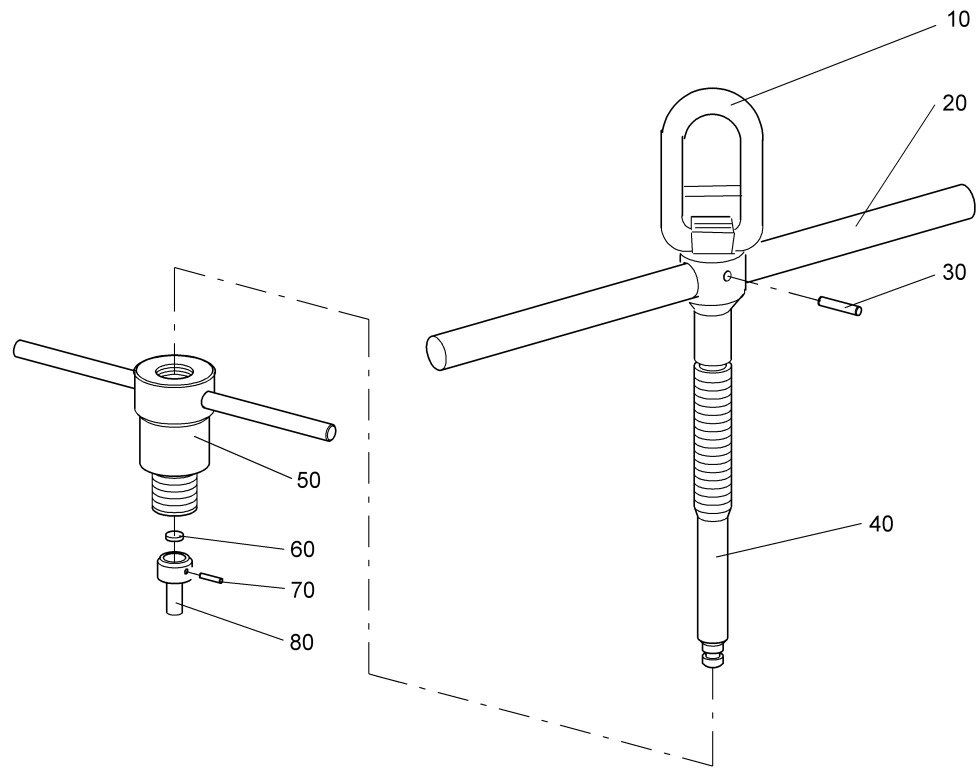
PARTS CATALOG

ORDER-NO : 121681749 MACHINE SERIAL-NO : 1728-741
 Main Item 001000 BOWL SERIAL-NO : 1728-741
 TYPE : RSE 220-01-777 CONTROL CABINET SIN :
 MATERIAL-NO. : 9987-0209-450

PLANT SERIAL-NO. :
 CONVEYOR SCREW SERIAL-NO:

Sheet: 93

SpareP	Draw N	Pos	Part-No.	Description	Qty	UN	ETS	AUFL.IN ET- ZEICH.NR.
	3306-4759-002		3306-9970-000	AUSHEBEVORRICHTUNG VOLLST. LIFTING DEVICE CPL.	1,000	PC	1	
		0010	0026-1925-030	SCHAEKEL SHACKLE	1,000	PC	2	
		0020	0026-5721-030	ZYLINDERSTIFT CYLINDRICAL PIN	1,000	PC	2	
		0030	0026-1096-050	ZYLINDERSTIFT CYLINDRICAL PIN	1,000	PC	2	
		0040	0019-1650-090	GEWINDESPINDEL THREADED SPINDLE	1,000	PC	2	
		0050	3306-9936-000	GEWINDESTUECK GESCHW. THREADED PIECE, WELDED	1,000	PC	2	
		0060	0026-1073-030	ZYLINDERSTIFT CYLINDRICAL PIN	1,000	PC	2	
		0070	0026-0033-060	SCHEIBE WASHER / DISK	1,000	PC	2	
		0080	3287-9963-000	SPINDELSCHUH SPINDLE SHOE	1,000	PC	2	



Westfalia Separator AG

Datum:
14.10.2002

Zeichnungs-Nr.:
3306-4759-002

Blatt
1

1 Blätter

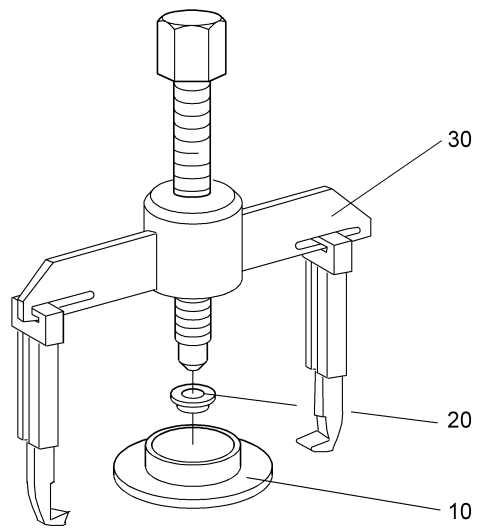
PARTS CATALOG

ORDER-NO : 121681749 MACHINE SERIAL-NO : 1728-741
 Main Item 001000 BOWL SERIAL-NO : 1728-741
 TYPE : RSE 220-01-777 CONTROL CABINET SIN :
 MATERIAL-NO. : 9987-0209-450

PLANT SERIAL-NO. :
 CONVEYOR SCREW SERIAL-NO:

Sheet: 95

SpareP	Draw N	Pos	Part-No.	Description	Qty	UN	ETS	AUFL.IN ET- ZEICH.NR.
	3370-4759-001		3370-9800-020	ABZIEHVORRICHTUNG VOLLST. PULLING DEVICE, COMPL.	1,000	PC	1	
		0010	3370-9823-010	RING	1,000	PC	2	
		0020	3370-9935-010	DRUCKSTUECK PRESSURE PIECE	1,000	PC	2	
		0030	0003-0421-030	ABZIEHER PULLER	1,000	PC	2	



Westfalia Separator AG

Datum:
05.05.2003

Zeichnungs-Nr.:
3370-4759-001

Blatt
1

1 Blätter

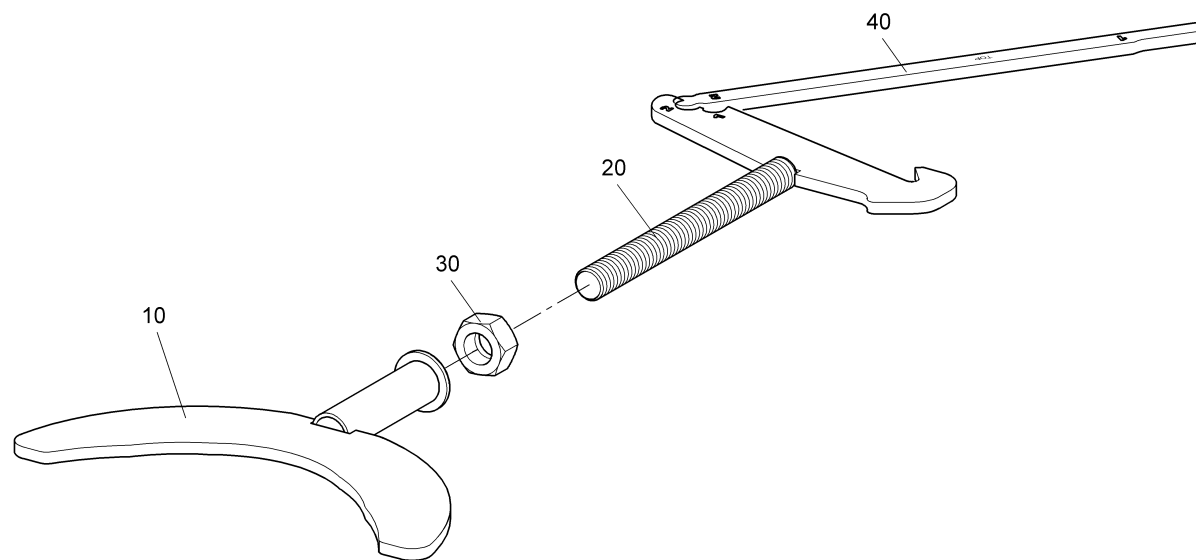
PARTS CATALOG

ORDER-NO : 121681749 MACHINE SERIAL-NO : 1728-741
 Main Item 001000 BOWL SERIAL-NO : 1728-741
 TYPE : RSE 220-01-777 CONTROL CABINET SIN :
 MATERIAL-NO. : 9987-0209-450

PLANT SERIAL-NO. :
 CONVEYOR SCREW SERIAL-NO:

Sheet: 97

SpareP	Draw N	Pos	Part-No.	Description	Qty	UN	ETS	AUFL.IN ET- ZEICH.NR.
	2298-4759-007		2298-9860-000	MONTAGEVORRICHTUNG VOLLST. MOUNTING TOOL, COMPL.	1,000	PC	1	
		0010	2298-9948-000	KLEMMSTUECK GESCHW. CLAMPING PIECE, WELDED	1,000	PC	2	
		0020	2298-9948-010	KLEMMSTUECK GESCHW. CLAMPING PIECE, WELDED	1,000	PC	2	
		0030	0013-0282-400	SECHSKANTMUTTER HEXAGON NUT	1,000	PC	2	
		0040	2298-9918-000	HEBEL LEVER	1,000	PC	2	



Westfalia Separator AG

Datum:
26.06.06

Zeichnungs-Nr.:
2298-4759-007

Blatt
1

1 Blätter

PARTS CATALOG

ORDER-NO : 121681749 MACHINE SERIAL-NO : 1728-741
 Main Item 001000 BOWL SERIAL-NO : 1728-741
 TYPE : RSE 220-01-777 CONTROL CABINET SIN :
 MATERIAL-NO. : 9987-0209-450

PLANT SERIAL-NO. :
 CONVEYOR SCREW SERIAL-NO:

Sheet: 99

SpareP	Draw N	Pos	Part-No.	Description	Qty	UN	ETS	AUFL.IN ET- ZEICH.NR.
			3306-9901-020	SATZ ZUBEHOERTEILE I SET OF ACCESSORIES I	1,000	PC	1	
		0010	0003-0168-890	TRICHTER FUNNEL	1,000	PC	2	
		0020	0003-0277-800	OELFANGSCHALE OIL COLLECTING PAN	1,000	PC	2	
		0030	0003-0429-000	HOCHDRUCK-HANDHEBELPRESSE HIGH-PRESSURE HAND-LEVER PRESS	1,000	PC	1	
			0003-0429-010	HOECHSTDRUCKSCHLAUCH MAXIMUM PRESSURE HOSE	1,000	PC	2	
		0140	0015-0001-080	SCHMIEROEL LUBRICATING OIL	6,000	PC	2	
		0150	0015-0117-030	SILIKON-DICHTUNGSFETT SILICON BASED SEALING GREASE	4,000	PC	2	
		0160	0015-0122-040	WAEHLZLAGERFETT BALL AND ROLLER BEARING GREASE	1,000	PC	2	
		0170	2335-6663-010	TELLER VOLLST. DISC, COMPL.	1,000	PC	2	
		0180	2335-6664-000	AUSGLEICHTELLER VOLLST. COMPENSATING DISC, COMPLETE	2,000	PC	2	

PARTS CATALOG

ORDER-NO : 121681749 MACHINE SERIAL-NO : 1728-741
 Main Item 001000 BOWL SERIAL-NO : 1728-741
 TYPE : RSE 220-01-777 CONTROL CABINET SIN :
 MATERIAL-NO. : 9987-0209-450

PLANT SERIAL-NO. :
 CONVEYOR SCREW SERIAL-NO:

Sheet: 100

SpareP	Draw N	Pos	Part-No.	Description	Qty	UN	ETS	AUFL.IN ET- ZEICH.NR.
			9390-0001-386	SATZ ERSATZTEILE I SET OF SPARE PARTS I	1,000	PC	1	
		0010	0007-1798-550	DICHTRING GASKET	1,000	PC	2	
		0020	0004-2389-608	DICHTUNGSSCHNUR PACKING CORD	3,670	M	2	
		0030	0021-3499-890	ANTRIEBSRIEMEN DRIVE BELT	1,000	PC	2	
		0040	0007-2485-600	DICHTRING GASKET	1,000	PC	2	
		0050	0007-2605-750	DICHTRING GASKET	1,000	PC	2	
		0060	0007-2861-750	DICHTRING GASKET	1,000	PC	2	
		0070	0007-1945-750	DICHTRING GASKET	2,000	PC	2	
		0080	0007-2926-750	DICHTRING GASKET	1,000	PC	2	
		0090	0007-1711-750	DICHTRING GASKET	1,000	PC	2	
		0100	0007-2929-750	DICHTRING GASKET	2,000	PC	2	
		0110	0007-2564-750	DICHTRING GASKET	1,000	PC	2	

PARTS CATALOG

ORDER-NO : 121681749 MACHINE SERIAL-NO : 1728-741 PLANT SERIAL-NO. :
 Main Item 001000 BOWL SERIAL-NO : 1728-741 CONVEYOR SCREW SERIAL-NO:
 TYPE : RSE 220-01-777 CONTROL CABINET SIN :
 MATERIAL-NO. : 9987-0209-450

Sheet: 101

SpareP	Draw N	Pos	Part-No.	Description	Qty	UN	ETS	AUFL.IN ET- ZEICH.NR.
		0120	0007-2520-600	DICHTRING GASKET	9,000	PC	2	
		0130	0007-2003-750	DICHTRING GASKET	5,000	PC	2	
		0140	0007-1936-750	DICHTRING GASKET	1,000	PC	2	
		0150	0007-2522-600	DICHTRING GASKET	1,000	PC	2	
		0160	0007-2210-600	DICHTRING GASKET	4,000	PC	2	
		0170	0018-0997-900	SATZ DICHTUNGEN SET OF SEALS	1,000	PC	2	
		0180	0001-1298-820	SCHAUSCHEIBE SIGHT GLASS DISK	2,000	PC	2	
		0190	0007-3488-750	DICHTRING GASKET	1,000	PC	2	
		0200	0007-2825-750	DICHTRING GASKET	1,000	PC	2	
		0210	0007-2649-750	DICHTRING GASKET	1,000	PC	2	
		0220	0007-1805-600	DICHTRING GASKET	1,000	PC	2	
		0230	0007-1943-750	DICHTRING GASKET	1,000	PC	2	

PARTS CATALOG

ORDER-NO : 121681749 MACHINE SERIAL-NO : 1728-741 PLANT SERIAL-NO. :
 Main Item 001000 BOWL SERIAL-NO : 1728-741 CONVEYOR SCREW SERIAL-NO:
 TYPE : RSE 220-01-777 CONTROL CABINET SIN :
 MATERIAL-NO. : 9987-0209-450

Sheet: 102

SpareP	Draw N	Pos	Part-No.	Description	Qty	UN	ETS	AUFL.IN ET- ZEICH.NR.
		0240	0007-2940-750	DICHTRING GASKET	1,000	PC	2	
		0250	0007-2739-750	DICHTRING GASKET	1,000	PC	2	
		0260	0007-2091-750	DICHTRING GASKET	1,000	PC	2	
		0270	0007-2495-750	DICHTRING GASKET	1,000	PC	2	
		0280	0007-2546-750	DICHTRING GASKET	1,000	PC	2	
		0290	0007-2732-750	DICHTRING GASKET	1,000	PC	2	
		0300	0007-2495-750	DICHTRING GASKET	1,000	PC	2	
		0310	0007-2018-750	DICHTRING GASKET	1,000	PC	2	
		0320	0007-2649-750	DICHTRING GASKET	1,000	PC	2	
		0330	0007-2015-750	DICHTRING GASKET	1,000	PC	2	
		0340	0007-2826-830	DICHTRING GASKET	2,000	PC	2	
		0350	0007-3754-540	DICHTRING GASKET	1,000	PC	2	

PARTS CATALOG

ORDER-NO : 121681749 MACHINE SERIAL-NO : 1728-741
 Main Item 001000 BOWL SERIAL-NO : 1728-741
 TYPE : RSE 220-01-777 CONTROL CABINET SIN :
 MATERIAL-NO. : 9987-0209-450

PLANT SERIAL-NO. :
 CONVEYOR SCREW SERIAL-NO:

Sheet: 103

SpareP	Draw N	Pos	Part-No.	Description	Qty	UN	ETS	AUFL.IN ET- ZEICH.NR.
		0360	3389-6453-000	SCHUTZBLECH WEAR INSERT	15,000	PC	2	
		0370	0004-2341-200	DICHTUNG GASKET	1,000	PC	2	
		0380	0007-3452-830	KOLBENDICHTRING PISTON SEALING RING	1,000	PC	2	
		0390	0007-2920-830	DICHTRING GASKET	2,000	PC	2	
		0400	0007-3453-830	KOLBENDICHTRING PISTON SEALING RING	2,000	PC	2	
		0410	8134-9902-450	SATZ ERSATZTEILE SET OF SPARE PARTS	1,000	PC	2	

PARTS CATALOG

ORDER-NO : 121681749 MACHINE SERIAL-NO : 1728-741 PLANT SERIAL-NO. :
Main Item 001000 BOWL SERIAL-NO : 1728-741 CONVEYOR SCREW SERIAL-NO:
TYPE : RSE 220-01-777 CONTROL CABINET SIN :
MATERIAL-NO. : 9987-0209-450

Sheet: 104

SpareP	Draw N	Pos	Part-No.	Description	Qty	UN	ETS	AUFL.IN ET- ZEICH.NR.
			2336-9001-000	BETRIEBSANLEITUNG INSTRUCTION MANUAL	8,000	PC	2	

PARTS CATALOG

ORDER-NO :	121681749	MACHINE SERIAL-NO :	1728-741	PLANT SERIAL-NO. :	
Main Item	001000	BOWL SERIAL-NO :	1728-741	CONVEYOR SCREW SERIAL-NO:	
TYPE :	RSE 220-01-777	CONTROL CABINET SIN :			
MATERIAL-NO. :	9987-0209-450				

Sheet: 105

SpareP	Draw N	Pos	Part-No.	Description	Qty	UN	ETS	AUFL.IN ET- ZEICH.NR.
			9953-9001-005	SICHERHEITSHINWEISE SAFETY INSTRUCTIONS	8,000	PC	2	

PARTS CATALOG

ORDER-NO : 121681749
Main Item 001000
TYPE : RSE 220-01-777
MATERIAL-NO. : 9987-0209-450

MACHINE SERIAL-NO : 1728-741
BOWL SERIAL-NO : 1728-741
CONTROL CABINET SIN :

PLANT SERIAL-NO. :
CONVEYOR SCREW SERIAL-NO:

Sheet: 106

SpareP	Draw N	Pos	Part-No.	Description	Qty	UN	ETS	AUFL.IN ET- ZEICH.NR.
			8134-9000-700	BETRIEBSANLEITUNG U.ERSATZTEILLISTE INSTRUCTION MANUAL AND PARTS LIST	8,000	PC	2	