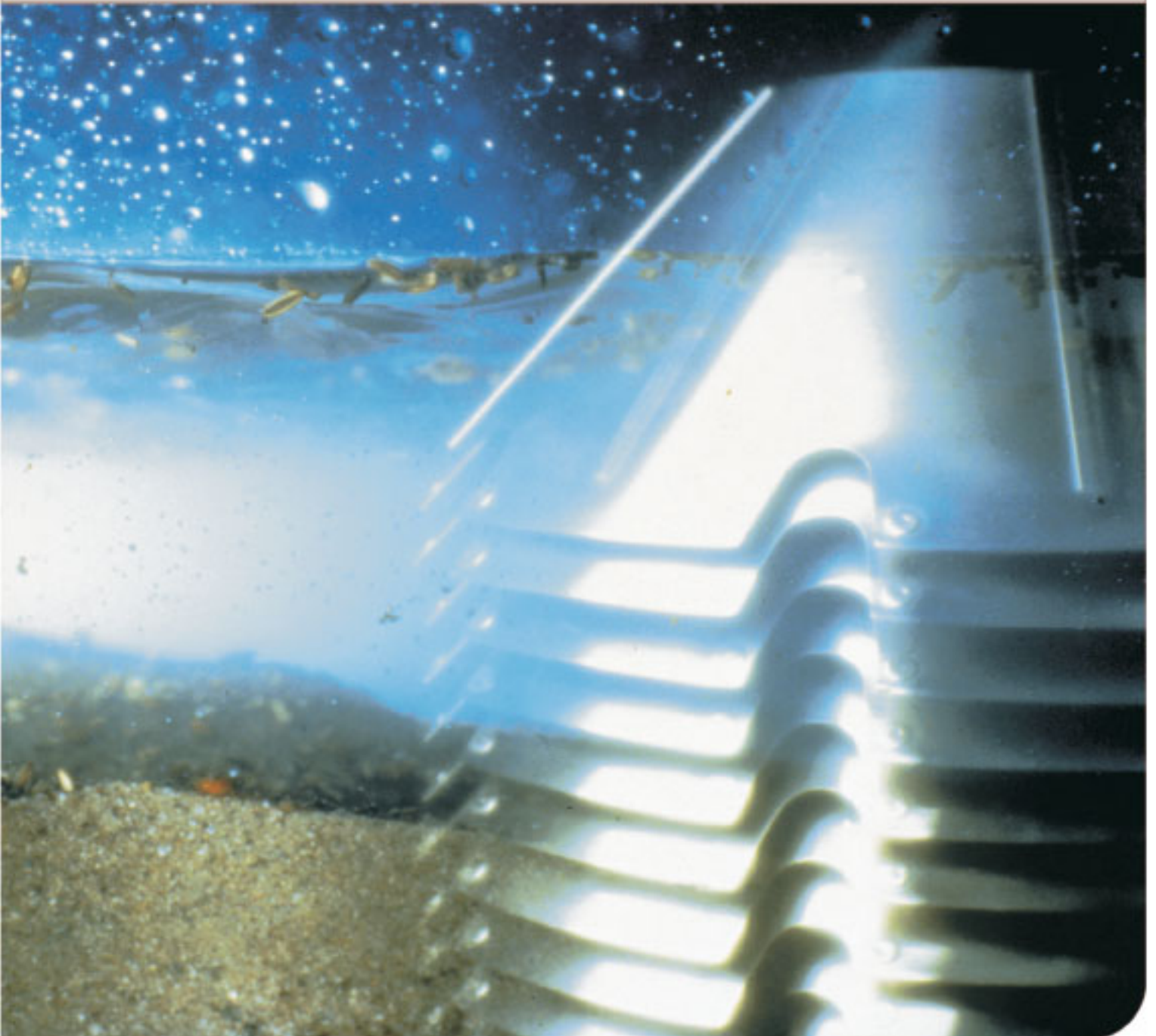


Spare parts catalogue, Reservdelskatalog, Ersatzteilkatalog, Catalogue de pièces de rechange, Varaosaluettelo, Catalogue de piezas de recambio, Каталог запасных частей, Catalogo parti di ricambio, Reservdelskatalog, Catalogo de peças sobressalentes, Καταλογος ανταλλακτικων, Reserveonderdelen-catalogus

P 100



Published By:

Alfa Laval Tumba AB
SE-147 80 Tumba, Sweden

Telephone: +46 8 530 650 00

Telefax: +46 8 530 310 40

© Alfa Laval Tumba AB May 2007

This publication or any part there of may not be reproduced or transmitted by any process or means without prior written permission of Alfa Laval Tumba AB.

Contents

| | | |
|-----------|---|-----------|
| 1 | Read this first | 5 |
| 2 | Machine bottom part | 12 |
| | 2.1 Oil filling device | 14 |
| | 2.2 Brake | 16 |
| 3 | Separator bowl | 18 |
| 4 | Inlet and outlet device | 20 |
| 5 | Parts for mounting of motor | 22 |
| | 5.1 Friction coupling, 50/60 Hz | 24 |
| | 5.2 Belt tightener | 26 |
| 6 | Parts for mounting of motor/ 60 Hz NEMA standard | 28 |
| | 6.1 Friction coupling, 60 Hz NEMA standard | 30 |
| 7 | Set of plates | 32 |
| 8 | Gravity disc for clarification | 34 |
| 9 | Vibration monitoring unit | 36 |
| 10 | Set of tools | 38 |
| 11 | Interlocking switch | 40 |
| 12 | Intermediate service kit | 42 |
| 13 | Major service kit | 44 |
| 14 | 3-years service kit | 46 |
| 15 | Tool box | 48 |
| 16 | Cross reference list | 51 |



1 Read this first

**en**

Check the machine unit number on the name-plate before using this catalogue

sv

Kontrollera maskinenhetens nummer på maskinskylden innan du använder katalogen

de

Das Typenschild - ein Hinweis zur korrekten Ersatzteilnummer

fr

La plaque de la machine, un guide pour trouver le numéro de pièce de rechange correct

es

La placa-marca de la máquina - guía del número correcto del repuesto

ru

Фирменная табличка машины – указатель правильного номера запасной части

it

La targhetta della macchina - guida al corretto numero dei ricambi

pt

A placa do fabricante da máquina - um guia do número correto das partes sobressalentes

fi

Konekilpi - opastin oikeaan varaosanimeroon

el

Η πινακίδα της μηχανής είναι ο οδηγός του σωστού ανταλλακτικού

nl

Het gegevensplaatje - een wegwijzer naar het juiste onderdeelnummer

da

Typeskiltet - en guide til det rette reservedelsnummer

S0023731

en

Safeguard your commitment to quality by always using genuine Alfa Laval spare parts.

Remember, Alfa Laval cannot accept responsibility for the failure of a separator equipped with non-original spare parts. We guarantee the quality and reliability of our products.

sv

Följ ditt kvalitetstänkande genom att endast använda Alfa Laval originalreservdelar.

Kom ihåg att Alfa Laval inte tar något ansvar för fel på en separator, som innehåller icke-originaldelar. Vi garanterar kvaliteten och driftsäkerheten endast hos våra egna produkter.

de

Aus Rücksicht auf Ihr Bestreben um beste Qualität sollten Sie nur Alfa Laval Originalersatzteile benutzen.

Vergessen Sie nicht, Alfa Laval kann keine Verantwortung für das Versagen eines Separators übernehmen, der nicht mit Originalersatzteilen versehen ist. Wir garantieren Qualität und Zuverlässigkeit unserer Produkte.

fr

Préservez la qualité de vos équipements en n'employant que des pièces de rechange Alfa Laval.

N'oubliez pas q'Alfa Laval décline toute responsabilité en cas de panne d'un séparateur non équipé de pièces de rechange d'origine. Nous garantissons la qualité et la fiabilité de nos produits.

es

Mantenga su compromiso con la calidad, al usar siempre piezas de repuesto Alfa Laval auténticas.

Recuerde que Alfa Laval no acepta responsabilidad por el fallo de una separadora equipada con piezas de repuesto no originales. Garantizamos la calidad y fiabilidad de nuestros productos.



S0023621

ru

Гарантируйте надежность качества всегда используя подлинные запасные части фирмы Alfa Laval.

Запомните, что Alfa Laval не несет ответственности за повреждение сепаратора, оснащенного неподлинными запчастями. Мы гарантируем качество и надежность наших изделий.

it

Salvaguardate la vostra garanzia di qualità facendo sempre uso di parti di ricambio Alfa Laval autentiche.

Tenete presente che la Alfa Laval non può accettare responsabilità per avaria ad un separatore attrezzato con parti di ricambio non originali. Noi garantiamo la qualità l'affidabilità dei nostri prodotti.

pt

Proteja o seu cometimento a qualidade usando sempre peças sobressalentes genuinas Alfa Laval.

Não esqueça que Alfa Laval não aceita responsabilidade por falha de uma separadora equipada com peças sobressalentes não genuinas. Nós garantimos a qualidade e a confiança dos nossos produtos.

fi

Varmistakaa vastuunne laadusta käyttämällä aina alkuperäisiä Alfa Laval varaosia.

Muistakaa, Alfa Laval ei voi hyväksyä vastuuta ei-alkuperäisillä varaosilla varustetun separaattorin vaurioista. Me takaamme tuotteidemme laadun ja käyttövarmuuden.

el

Εξασφαλίστε υψηλή ποιότητα χρησιμοποιώντας μόνο γνήσια ανταλλακτικά της Alfa Laval.

Έχετε υπόψην ότι η Alfa Laval δεν αναλαμβάνει καμμία ευθύνη για βλάβες βουτυρομηχανής, στην οποία έχουν εφαρμοστεί μη γνήσια ανταλλακτικά. Εγγυόμαστε ποιότητα και καλή λειτουργία μόνο για τα δικά μας προϊόντα.



S0023621

nl

Streef naar een zo hoog mogelijke kwaliteit en gebruik uitsluitend originele Alfa Laval reserveonderdelen. Streef naar een zo hoog mogelijke kwaliteit en gebruik uitsluitend originele Alfa Laval reserveonderdelen.

Vergeet niet dat Alfa Laval niet verantwoordelijk is voor een defecte separator die niet-originele onderdelen bevat. Wij garanderen de kwaliteit en betrouwbaarheid van onze eigen producten.

da

Hold Dem til den kvalitet, De har valgt at satse på, ved altid at anvende ægte Alfa Laval reservedele.

Husk, at Alfa Laval ikke kan påtage sig noget ansvar for fejl på en separator, som indeholder uoriginale dele. Vi kan kun garantere kvalitet og driftsikkerhed på vore egne produkter.



S0023621

Translation list

Översättningslista
 Übersetzungsliste
 Liste de traduction
 Lista de traducciones

| en | sv | de | fr | es |
|--|--|---|---|--|
| Part no. | Reservdelsnummer | Teil-Nr. | Numéro de pièce | Pieza No. |
| Qty | Antal | Anzahl | Quantité | Cantidad |
| Description | Benämning | Bezeichnung | Dénomination | Descripción |
| Notes | Anmärkning | Anmerkungen | Remarques | Notas |
| Machine type | Maskintyp | Maschinentyp | Type de machine | Tipo de máquina |
| Product no. | Produktnr | Produktnummer | Numéro de produit | Número de producto |
| Machine unit description | Maskinblocksbenämning | Bezeichnung des Maschinenblocks | Dénomination de partie de machine | Descripción de sección de la máquina |
| Machine unit no. | Maskinblocksnr | Maschinenblock Nr. | Partie de machine n° | No. de sección de máquina |
| Subassembly description | Undergruppsbenämning | Bezeichnung der Untergruppe | Dénomination de sous-ensemble | Descripción de subconjunto |
| Subassembly no. | Undergruppsnr | Untergruppe Nr. | N° de sous-ensemble | Número de subconjunto |
| See page | Se sidan | Siehe Seite | Voir page | Véase la página |
| Fig. ref. | Figurhänvisning | Bildhinweise | Réf. de fig. | Referencia de figura |
| Product name | Produktnamn | Produktname | Nom du produit | Nombre del producto |
| Exchange necessitates rebalancing of bowl | Utbyte nödvändiggör ombalansering av kulan | Austausch erfordert Wiederauswuchtung der Trommel | Le remplacement nécessite le rééquilibrage du bol | El racmbio requiere el reequilibrado del rotor |
| See separate spare parts list | Se separat reservdelslista | Siehe separate Ersatzteilliste | Voir liste séparée des pièces de rechange | Véase la lista de piezas separada |
| Not delivered as spare part | Levereras ej som reservdel | Nicht als Ersatzteil geliefert | Non livré comme pièce de rechange | No se entrega como pieza de recambio |

Translation list

Словарь перевода
 Lista traduzioni
 Lista para tradução
 Käännösluettelo

| en | ru | it | pt | fi |
|---|--|--|--|---|
| Part no. | Деталь № | Nr.parte. | Numero de peca | Varaosanumero |
| Qty | Кол-во | Quantita | Quantidade | Lukumäärä |
| Description | Наименование | Descrizione | Descricao | Nimitys |
| Notes | Примечания | Note | Notas | Huomautuksia |
| Machine type | Машина типа | Tipo macchina | Tipo de maquina | Konetyyppi |
| Product no. | Артикул № | Nr.prodotto | No. do produto | Tuotteen no |
| Machine unit description | Наименование блока машины | Nr. unita macchina | Descricao da unidade da maquina | Koneenosan nimitys |
| Machine unit no. | Блок машины № | Descrizione sottogruppo | Numero de unidade da maquina | Koneenosan no |
| Subassembly description | Наименование группы | Descrizione unita macchina | Descricao do subconjunto | Alaryhmän nimitys |
| Subassembly no. | Группа № | Nr. sottogruppo. | Número de subconjunto | Alaryhmän no |
| See page | См. страницу | Vedi pagina | Véase la página | Ks sivu |
| Fig. ref. | Ссылка на эскиз | Rif. fig. | Referencia de figura | Kuvaviite |
| Product name | Наименование артикула | Nome prodotto | Nombre del producto | Tuotteen nimi |
| Exchange necessitates rebalancing of bowl | Замена требует балансировки барабана | La sostituzione comporta la iequilibratura del tamburo | El racmbio requiere el reequilibrado del rotor | Vaihdettaessa kuula tasapainoitettava uudelleen |
| See separate spare parts list | См. отдельный перечень запасных частей | Vedi lista separata delle parti di ricambio | Véase la lista de piezas separada | Katso erillistä varaosaluettelo |
| Not delivered as spare part | Не поставлена вместе с запасными частями | Non fornito come parte di ricambio | No se entrega como pieza de recambio | Ei toimiteta varaosana |

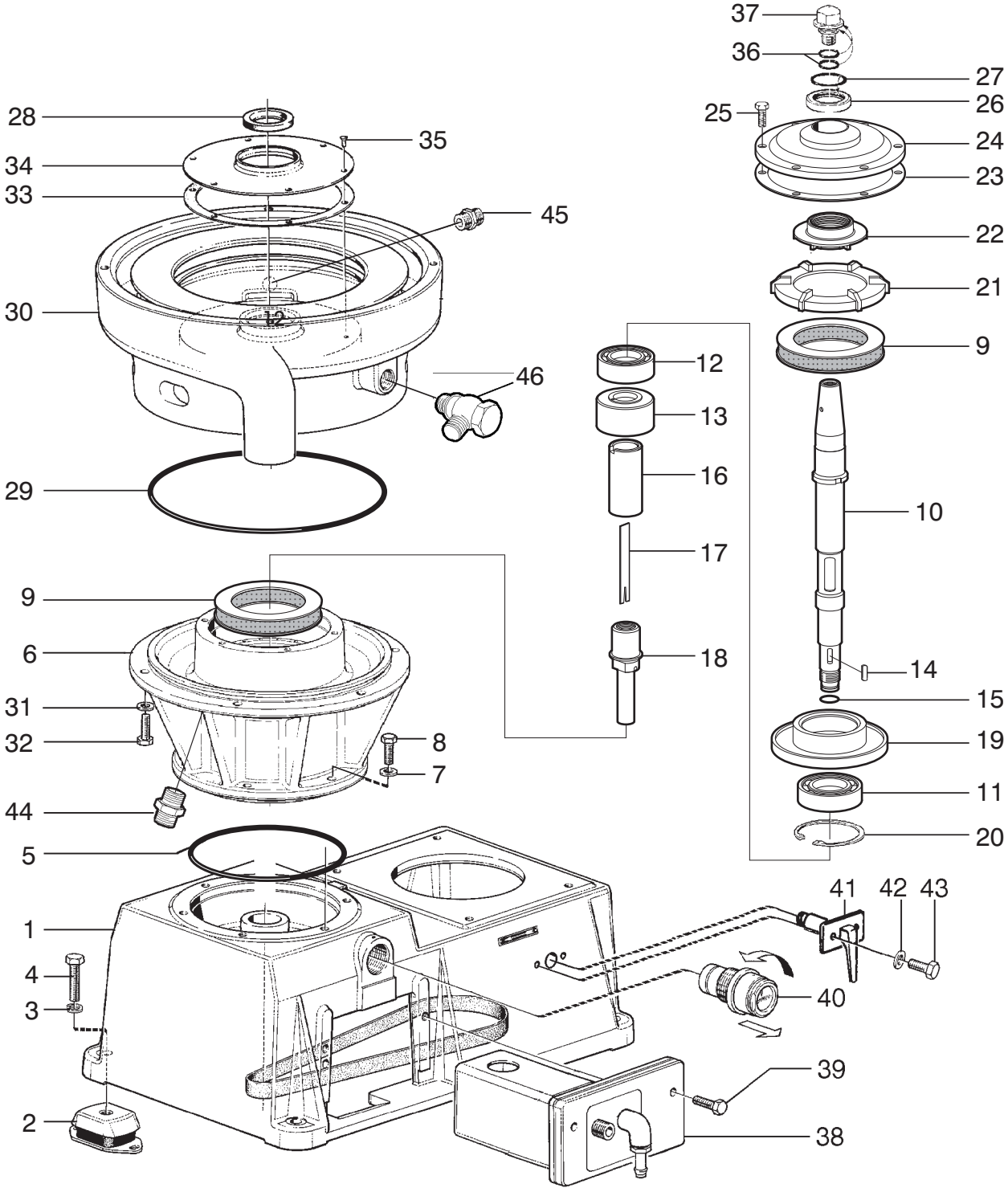
Translation list

ΓΛΩΣΣΑΡΙ
Vertaallijst
Oversættelsesliste

| en | el | nl | da |
|--|---|---|---|
| Part no. | Λριθμός ανταλλακτικού | Onderdeelnr. | Reservedelsnummer |
| Qty | Σύνολο | Hoeveelheid | Antal |
| Description | Περιγραφή | Beschrijving | Betegnelse |
| Notes | Παρατηρήσεις | Opmerkingen | Bemaerkninger |
| Machine type | Τύπος μηχανήματος | Machinetype | Maskintype |
| Product no. | Αριθμός προϊόντος | Produktnr. | Produktnr. |
| Machine unit description | Περιγραφή συγκροτήματος μηχανής | Machineblokbenaming | Maskinbetegnelse |
| Machine unit no. | Αριθμός συγκροτήματος μηχανής | Machineblokbenaming | Maskinnr. |
| Subassembly description | Περιγραφή υποσυγκροτήματος | Subgroepbenaming | Undergruppsbetegnelse |
| Subassembly no. | Αριθμός υποσυγκροτήματος | Subgroeprnr. | Undergruppenr. |
| See page | Βλέπε σελίδα | Zie blz. | Se side |
| Fig. ref. | Παραπομπή σε εικόνα | Afb. ref. | Figurhenviisning |
| Product name | Ονομασία προϊόντος | Produktnaam | Produktnavn |
| Exchange necessitates rebalancing of bowl | Ανταλλαγή απαιτεί επαναρρύθμιση ισορροπίας του τύμπανου | Vervanging vereist herbalanceren van de kogel | Udskriftning kraever ny afbalcering af kuglen |
| See separate spare parts list | Βλέπε ειδική λίστα ανταλλακτικών | Vervanging vereist van de kogel | Se spaat reservedelsliste |
| Not delivered as spare part | Δεν παραδίδεται ως ανταλλακτικό | Niet geleverd als reserveonderdeel | Levereres ikke som reservedel |

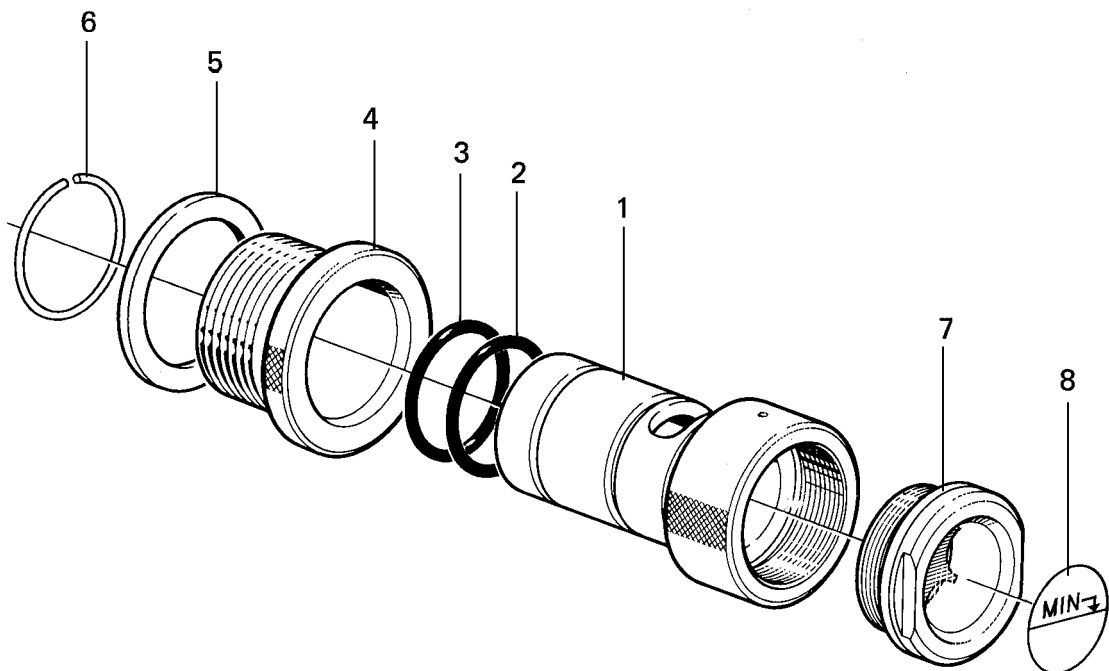
2 Machine bottom part

| Ref | Part No | Description | Machine unit number or Subassembly description 565390- | | | | | | Notes |
|-----|-----------|-------------------------|--|----------|--|--|--|--|-------------|
| | | | -01 | Quantity | | | | | |
| 1 | 548010 03 | Frame bottom part | 1 | | | | | | |
| 2 | 545892 01 | Frame foot | 4 | | | | | | |
| 3 | 223107 35 | Spring washer | 4 | | | | | | |
| 4 | 221045 29 | Screw | 4 | | | | | | |
| 5 | 223412 38 | O-ring | 1 | | | | | | |
| 6 | 548012 02 | Frame intermediate part | 1 | | | | | | |
| 7 | 548152 03 | Washer | 6 | | | | | | |
| 8 | 221040 05 | Screw | 6 | | | | | | |
| 9 | 543619 80 | Rubber buffer | 2 | | | | | | |
| 10 | 560757 01 | Bowl spindle | 1 | | | | | | |
| 11 | 548051 05 | Ball bearing | 1 | | | | | | |
| 12 | 37535 | Ball bearing | 1 | | | | | | |
| 13 | 545601 80 | Oil pump | 1 | | | | | | |
| 14 | 223610 07 | Flat key | 1 | | | | | | |
| 15 | 223403 16 | O-ring | 1 | | | | | | |
| 16 | 560763 01 | Belt pulley | 1 | | | | | | |
| 17 | 545597 01 | Wing | 1 | | | | | | |
| 18 | 560767 80 | Pump sleeve | 1 | | | | | | |
| 19 | 543609 02 | Ball bearing holder | 1 | | | | | | |
| 20 | 223642 36 | Snap ring | 1 | | | | | | |
| 21 | 545620 02 | Buffer holder | 1 | | | | | | |
| 22 | 544203 02 | Fan | 1 | | | | | | |
| 23 | 543612 01 | Gasket | 1 | | | | | | |
| 24 | 543613 02 | Top bearing cover | 1 | | | | | | |
| 25 | 221035 02 | Screw | 6 | | | | | | |
| 26 | 544337 02 | Deflector ring | 1 | | | | | | |
| 27 | 223406 29 | O-ring | 1 | | | | | | |
| 28 | 73547 | Seal ring | 1 | | | | | | |
| 29 | 223412 49 | O-ring | 1 | | | | | | |
| 30 | 566279 01 | Frame top part | 1 | | | | | | |
| 31 | 548152 03 | Washer | 6 | | | | | | |
| 32 | 221040 05 | Screw | 6 | | | | | | |
| 33 | 543662 02 | Gasket | 1 | | | | | | |
| 34 | 543645 01 | Screen | 1 | | | | | | |
| 35 | 260244 01 | Screw | 6 | | | | | | |
| 36 | 223404 82 | O-ring | 2 | | | | | | |
| 37 | 546057 02 | Cap nut | 1 | | | | | | |
| 38 | 560985 80 | Water container | 1 | | | | | | |
| 39 | 221040 41 | Screw | 2 | | | | | | |
| 40 | 545831 80 | Oil filling device | 1 | | | | | | See page 14 |
| 41 | 548046 80 | Brake | 1 | | | | | | See page 16 |
| 42 | 548152 03 | Washer | 2 | | | | | | |
| 43 | 221040 05 | Screw | 2 | | | | | | |
| 44 | 526337 06 | Reducing hexagon nipple | 1 | | | | | | |
| 45 | 543953 05 | Nipple | 1 | | | | | | |
| 46 | 565393 01 | Hose nipple | 1 | | | | | | |



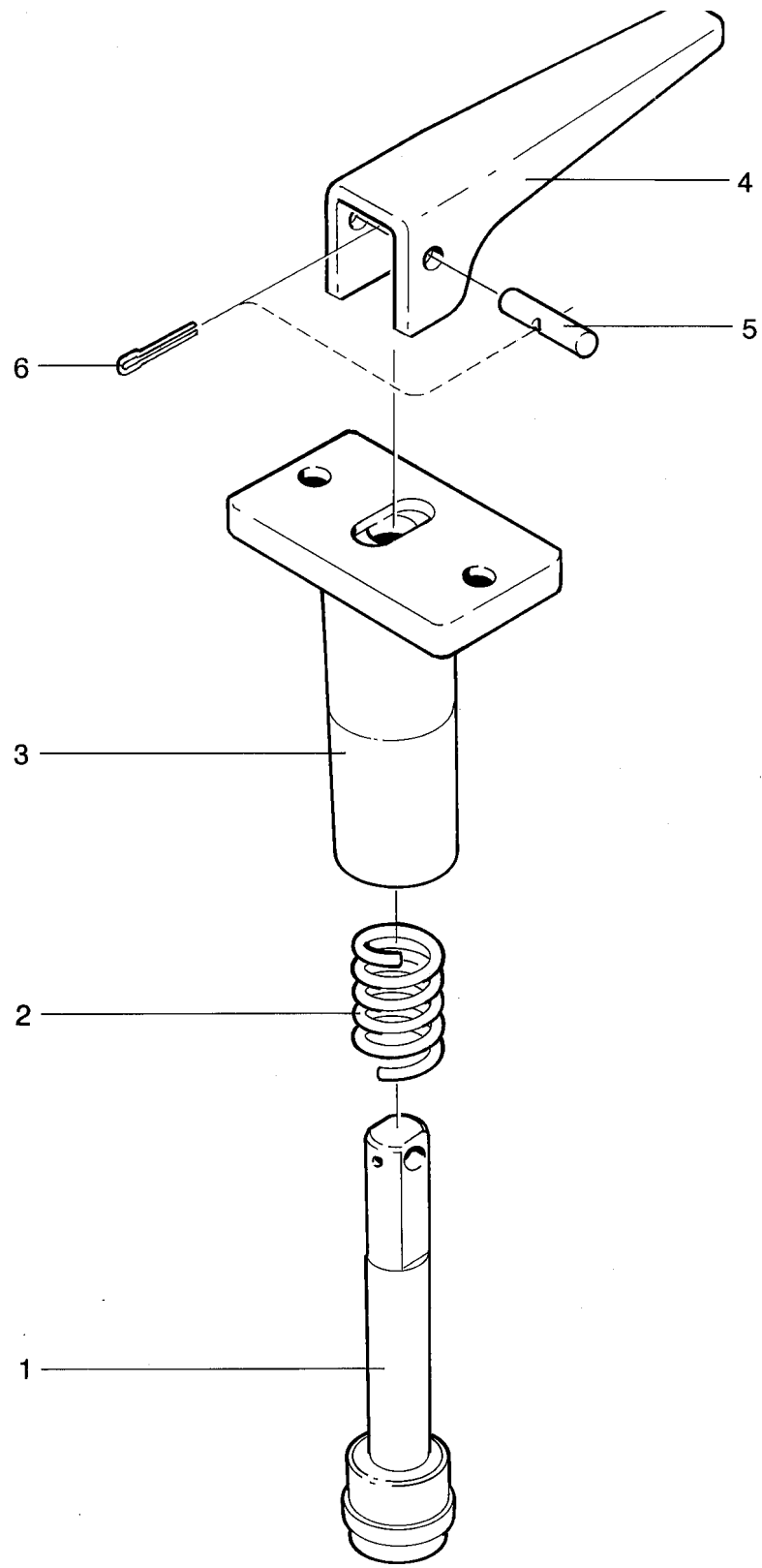
2.1 Oil filling device

| Ref | Part No | Description | Machine unit number or Subassembly description | | | | | | | Notes |
|-----|-----------|---------------------------|--|----------|--|--|--|--|--|-------|
| | | | 545831- | | | | | | | |
| | | | -80 | Quantity | | | | | | |
| 1 | 545817 01 | Sleeve | 1 | | | | | | | |
| 2 | 223406 27 | O-ring | 1 | | | | | | | |
| 3 | 223406 27 | O-ring | 1 | | | | | | | |
| 4 | 544024 01 | Nipple | 1 | | | | | | | |
| 5 | 542392 02 | Seal ring | 1 | | | | | | | |
| 6 | 545818 01 | Round wire retaining ring | 1 | | | | | | | |
| 7 | 545819 01 | Oil glass | 1 | | | | | | | |
| 8 | 545832 01 | Plate | 1 | | | | | | | |



2.2 Brake

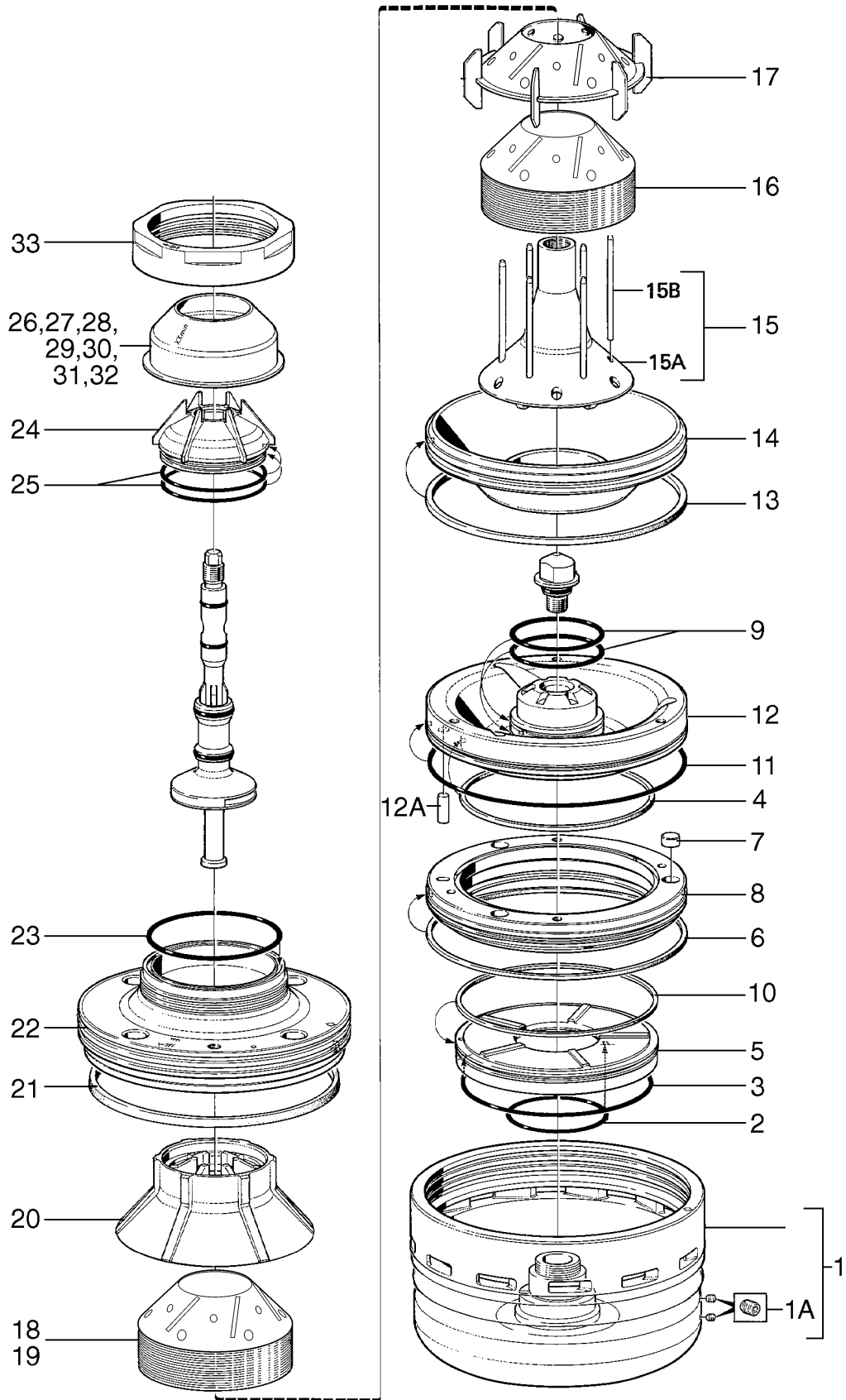
| Ref | Part No | Description | Machine unit number or Subassembly description | | | | | | Notes |
|-----|-----------|-----------------|--|----------|--|--|--|--|-------|
| | | | 548046- | | | | | | |
| | | | -80 | Quantity | | | | | |
| 1 | 548047 80 | Spindle | 1 | | | | | | |
| 2 | 32652 | Spring | 1 | | | | | | |
| 3 | 548049 02 | Adapter | 1 | | | | | | |
| 4 | 553159 02 | Handle | 1 | | | | | | |
| 5 | 222137 10 | Cylindrical pin | 1 | | | | | | |
| 6 | 222210 21 | Split pin | 1 | | | | | | |



3 Separator bowl

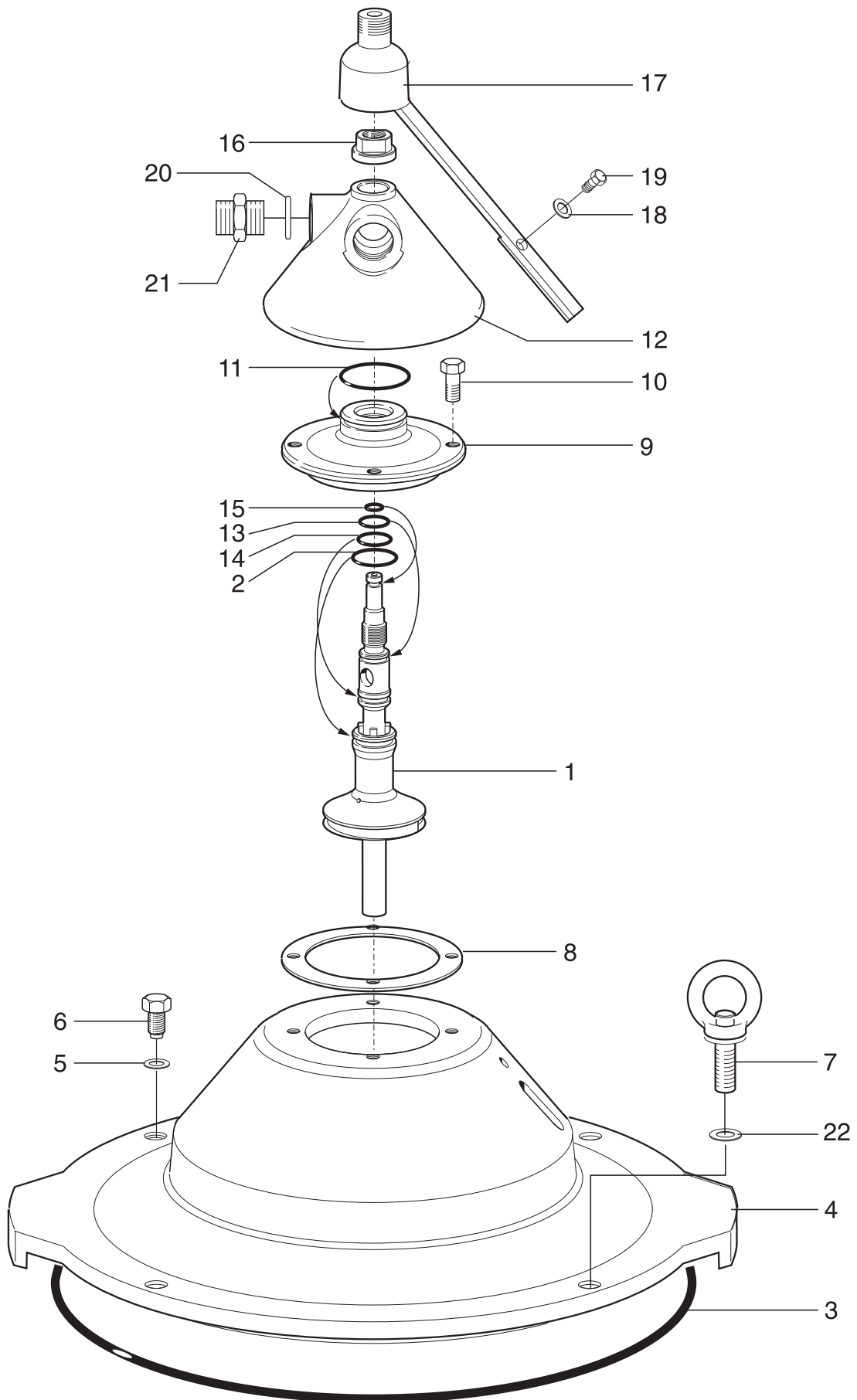
With caulks 0,5 mm

| Ref | Part No | Description | Machine unit number or Subassembly description | | | | | | Notes |
|------|-----------|-------------------------|--|----------|--|--|--|--|-------------|
| | | | 561123- | | | | | | |
| | | | -02 | Quantity | | | | | |
| 1 | 561072 80 | Bowl body complete | 1 | | | | | | |
| 1 A | 545869 01 | Nozzle Ø 1,2 mm | 2 | | | | | | |
| 2 | 223406 35 | O-ring | 1 | | | | | | |
| 3 | 68011 | O-ring | 1 | | | | | | |
| 4 | 545800 01 | Rectangular ring | 1 | | | | | | |
| 5 | 545655 02 | Distributing ring lower | 1 | | | | | | |
| 6 | 545800 03 | Rectangular ring | 1 | | | | | | |
| 7 | 545871 01 | Valve plug | 3 | | | | | | |
| 8 | 545654 02 | Operating slide | 1 | | | | | | |
| 9 | 260104 91 | O-ring | 2 | | | | | | |
| 10 | 545800 04 | Rectangular ring | 1 | | | | | | |
| 11 | 73632 | O-ring | 1 | | | | | | |
| 12 | 561104 80 | Distributing ring upper | 1 | | | | | | |
| 12 | 561104 82 | Distributing ring upper | 1 | | | | | | Alternative |
| 12 A | 222111 95 | Cylindrical pin | 1 | | | | | | |
| 13 | 543446 02 | Rectangular ring | 1 | | | | | | |
| 14 | 543567 01 | Sliding bowl bottom | 1 | | | | | | |
| 15 | 545657 80 | Distributor | 1 | | | | | | |
| 15 A | 545684 01 | Distributor | 1 | | | | | | |
| 15 B | 543590 06 | Parallel pin | 6 | | | | | | |
| 16 | 575192 80 | Bowl disc | 32 | | | | | | |
| 17 | 575364 80 | Wing insert | 1 | | | | | | |
| 18 | 575192 80 | Bowl disc | 31 | | | | | | |
| 19 | 575192 80 | Bowl disc | 1 | | | | | | |
| 20 | 544925 01 | Top disc | 1 | | | | | | |
| 21 | 541691 01 | Seal ring | 1 | | | | | | |
| 22 | 543566 01 | Bowl hood | 1 | | | | | | |
| 23 | 223406 22 | O-ring | 1 | | | | | | |
| 24 | 545797 02 | Paring chamber cover | 1 | | | | | | |
| 25 | 223406 14 | O-ring | 2 | | | | | | |
| 26 | 560916 01 | Gravity disc Ø 50,5 mm | 1 | | | | | | |
| 27 | 560916 02 | Gravity disc Ø 52 mm | 1 | | | | | | |
| 28 | 560916 03 | Gravity disc Ø 54 mm | 1 | | | | | | |
| 29 | 560916 04 | Gravity disc Ø 57 mm | 1 | | | | | | |
| 30 | 560916 05 | Gravity disc Ø 61 mm | 1 | | | | | | |
| 31 | 560916 06 | Gravity disc Ø 66 mm | 1 | | | | | | |
| 32 | 560916 07 | Gravity disc Ø 73 mm | 1 | | | | | | |
| 33 | 561000 02 | Lock ring | 1 | | | | | | |



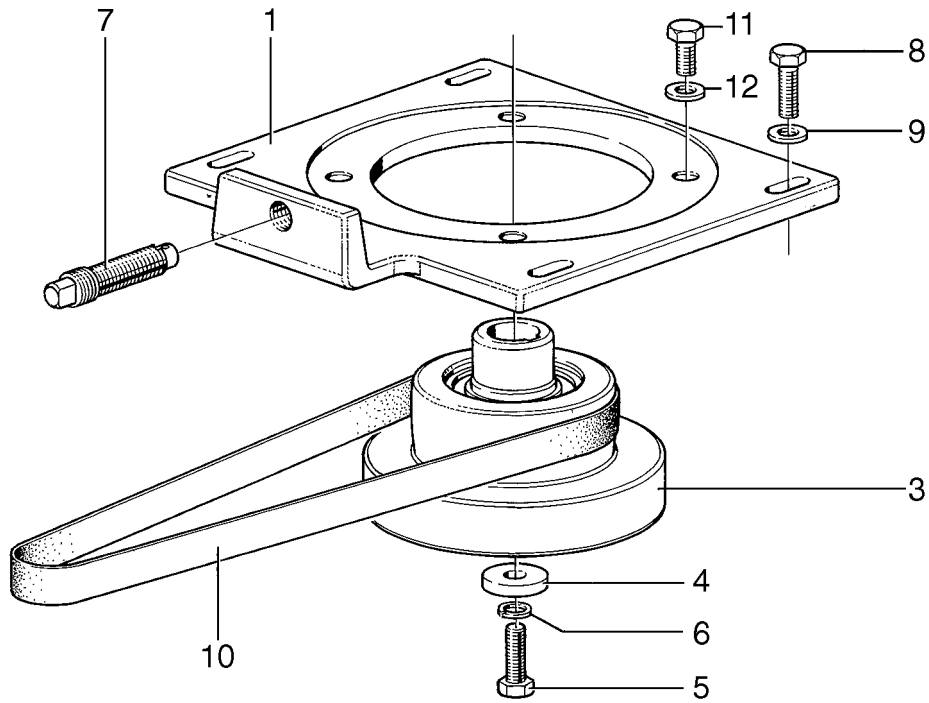
4 Inlet and outlet device

| Ref | Part No | Description | Machine unit number or Subassembly description 561312- | | | | | | Notes |
|-----|-----------|-----------------------------|--|----------|--|--|--|--|-------|
| | | | -01 | Quantity | | | | | |
| 1 | 561272 80 | Inlet pipe with paring disc | 1 | | | | | | |
| 2 | 74067 | O-ring | 1 | | | | | | |
| 3 | 223412 54 | O-ring | 1 | | | | | | |
| 4 | 561315 02 | Frame hood | 1 | | | | | | |
| 5 | 548152 03 | Washer | 2 | | | | | | |
| 6 | 221040 05 | Screw | 2 | | | | | | |
| 7 | 546157 80 | Lifting eye | 2 | | | | | | |
| 8 | 561307 01 | Height adjusting ring | 3 | | | | | | |
| 9 | 561013 02 | Support ring | 1 | | | | | | |
| 10 | 221035 06 | Screw | 4 | | | | | | |
| 11 | 223406 29 | O-ring | 1 | | | | | | |
| 12 | 561297 02 | Connecting housing | 1 | | | | | | |
| 13 | 223404 20 | O-ring | 1 | | | | | | |
| 14 | 223404 22 | O-ring | 1 | | | | | | |
| 15 | 223404 10 | O-ring | 1 | | | | | | |
| 16 | 559266 01 | Nut | 1 | | | | | | |
| 17 | 561271 80 | Safety device | 1 | | | | | | |
| 18 | 70560 | Washer | 1 | | | | | | |
| 19 | 221035 06 | Screw | 1 | | | | | | |
| 20 | 552766 08 | Washer | 2 | | | | | | |
| 21 | 562596 01 | Nipple | 2 | | | | | | |
| 22 | 548152 04 | Washer | 2 | | | | | | |



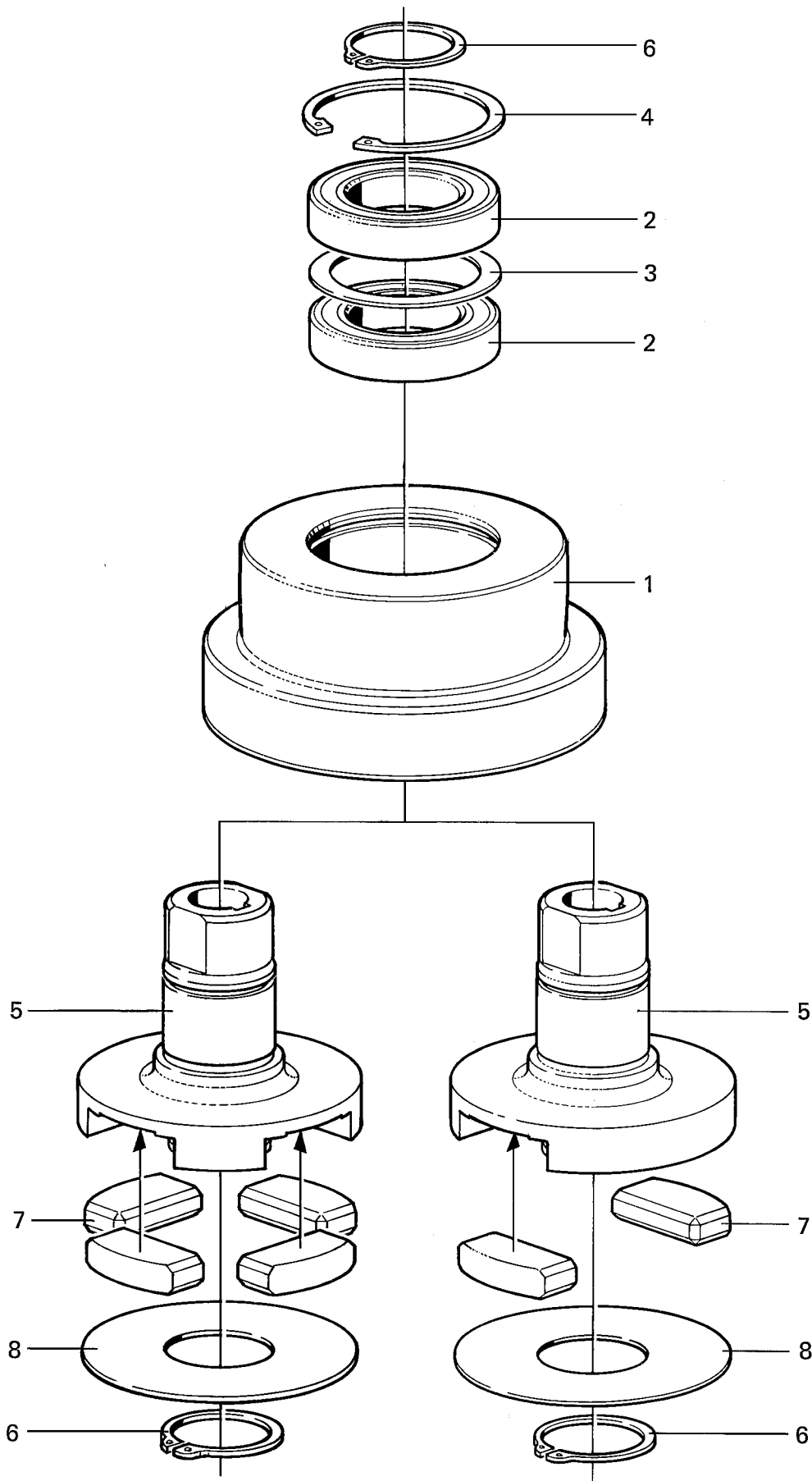
5 Parts for mountig of motor

| Ref | Part No | Description | Machine unit number or Subassembly description | | Quantity | | | | | | Notes | |
|-----|-----------|-------------------|--|-----|----------|--|--|--|--|--|-------|-------------|
| | | | -05 | -06 | | | | | | | | |
| | | 50 Hz | ↓ | | | | | | | | | |
| | | 60 Hz | | ↓ | | | | | | | | |
| 1 | 545782 02 | Motor adapter | 1 | 1 | | | | | | | | |
| 3 | 544575 80 | Friction coupling | 1 | | | | | | | | | See page 24 |
| 3 | 544575 81 | Friction coupling | | 1 | | | | | | | | See page 24 |
| 4 | 543669 01 | Washer | 1 | 1 | | | | | | | | |
| 5 | 221035 12 | Screw | 1 | 1 | | | | | | | | |
| 6 | 70915 | Spring washer | 1 | 1 | | | | | | | | |
| 7 | 545856 80 | Belt tightener | 1 | 1 | | | | | | | | See page 26 |
| 8 | 221040 05 | Screw | 4 | 4 | | | | | | | | |
| 9 | 548152 03 | Washer | 4 | 4 | | | | | | | | |
| 10 | 260169 22 | Flat belt | 1 | | | | | | | | | |
| 10 | 260169 23 | Flat belt | | 1 | | | | | | | | |
| 11 | 221040 52 | Screw | 4 | 4 | | | | | | | | |
| 12 | 548152 03 | Washer | 4 | 4 | | | | | | | | |



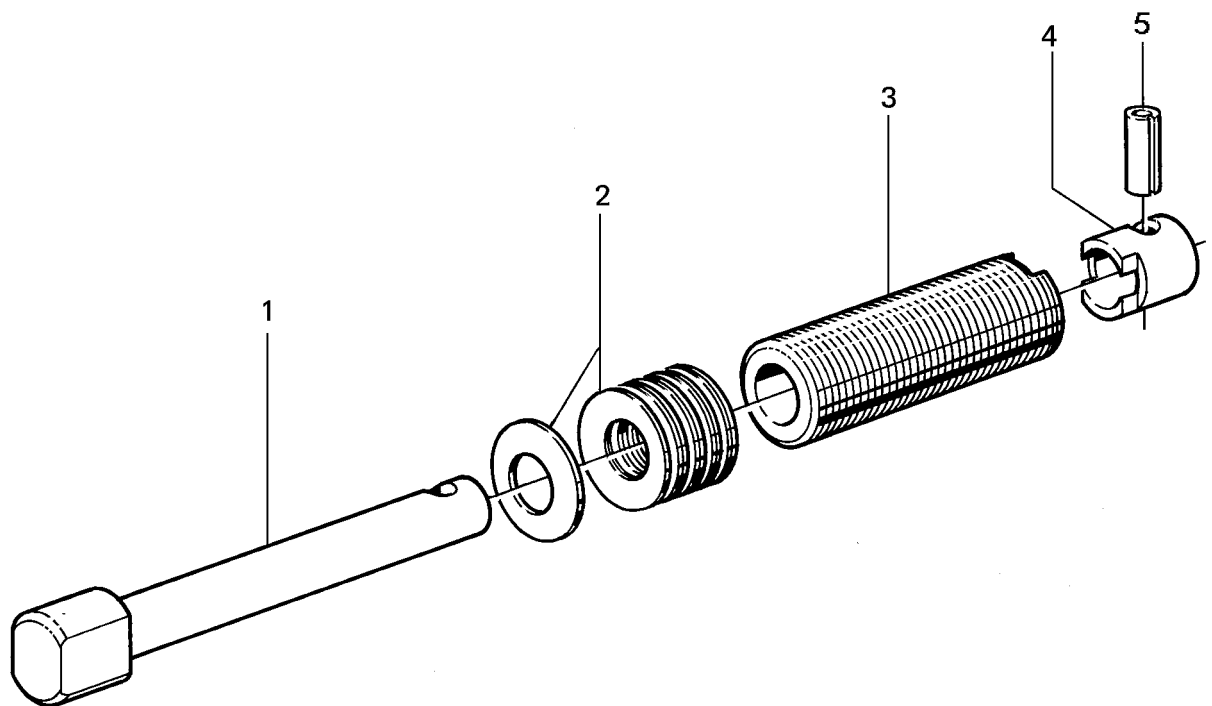
5.1 Friction coupling, 50/60 Hz

| Ref | Part No | Description | Machine unit number or Subassembly description | | 544575- | | | | | | Notes | |
|-----|-----------|------------------|--|-----|----------|--|--|--|--|--|-------|--|
| | | | -80 | -81 | Quantity | | | | | | | |
| | | 50 Hz | ↓ | | | | | | | | | |
| | | 60 Hz | | ↓ | | | | | | | | |
| 1 | 543858 02 | Belt pulley | | 1 | | | | | | | | |
| 1 | 543858 04 | Belt pulley | 1 | | | | | | | | | |
| 2 | 233211 66 | Ball bearing | 2 | 2 | | | | | | | | |
| 3 | 542986 04 | Washer | 1 | 1 | | | | | | | | |
| 4 | 223642 34 | Snap ring | 1 | 1 | | | | | | | | |
| 5 | 544058 02 | Coupling nave | | 1 | | | | | | | | |
| 5 | 546915 02 | Coupling nave | 1 | | | | | | | | | |
| 6 | 223641 17 | Snap ring | 2 | 2 | | | | | | | | |
| 7 | 544060 01 | Friction element | 4 | 2 | | | | | | | | |
| 8 | 543857 01 | Cover | 1 | 1 | | | | | | | | |



5.2 Belt tightener

| Ref | Part No | Description | Machine unit number or Subassembly description 545856- | | | | | | | Notes |
|-----|-----------|---------------------------------|--|-----|----------|--|--|--|--|-------|
| | | | -80 | -81 | Quantity | | | | | |
| | | 50/60 Hz 60 Hz NEMA standard | ↓ | | | | | | | |
| 1 | 545848 01 | Shaft | 1 | | | | | | | |
| 1 | 545848 02 | Shaft | | 1 | | | | | | |
| 2 | 226314 11 | Spring | 10 | 10 | | | | | | |
| 3 | 545853 01 | Sleeve | 1 | | | | | | | |
| 3 | 545853 02 | Sleeve | | 1 | | | | | | |
| 4 | 546562 01 | Conveyor | 1 | 1 | | | | | | |
| 5 | 222119 51 | Tubular spring pin | 1 | 1 | | | | | | |

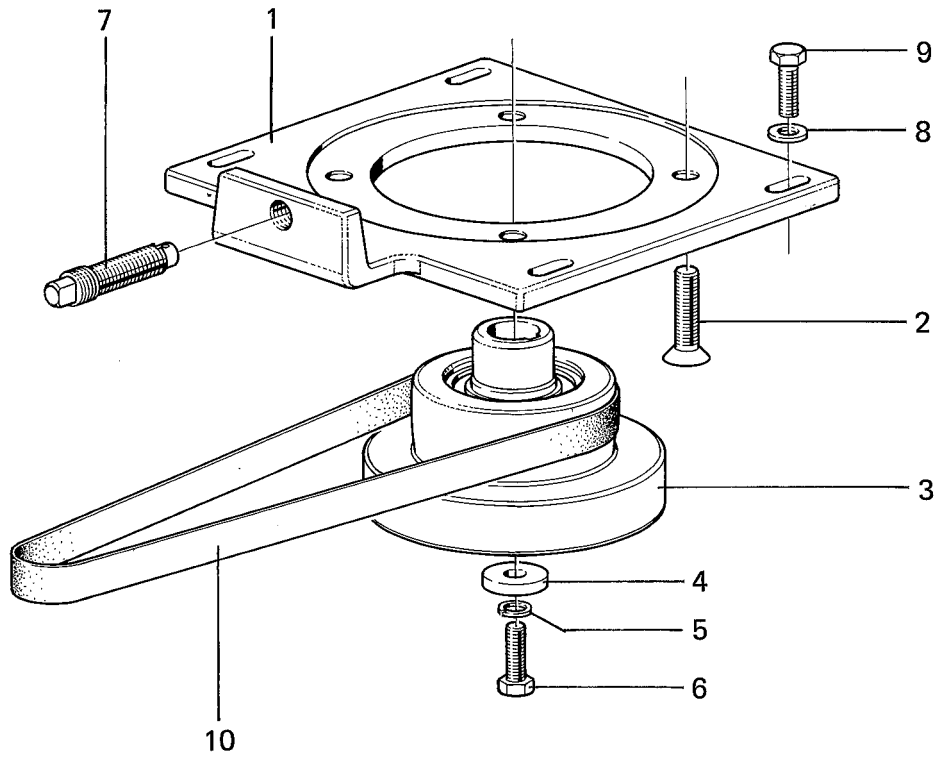


6 Parts for mounting of motor/ 60 Hz NEMA standard

(Type 182TC "C-flange")

| Ref | Part No | Description | Machine unit number or Subassembly description 547255- | | | | | | Notes |
|-----|-----------|-------------------|--|----------|--|--|--|--|-------------|
| | | | -02 | Quantity | | | | | |
| 1 | 547251 02 | Motor adapter | 1 | | | | | | |
| 2 | 547260 01 | Screw | 4 | | | | | | |
| 3 | 544575 84 | Friction coupling | 1 | | | | | | See page 30 |
| 4 | 543669 01 | Washer | 1 | | | | | | |
| 5 | 70915 | Spring washer | 1 | | | | | | |
| 6 | 221035 08 | Screw | 1 | | | | | | |
| 7 | 545856 81 | Belt tightener | 1 | | | | | | See page 26 |
| 8 | 41456 | Washer | 4 | | | | | | |
| 9 | 221040 05 | Screw | 4 | | | | | | |
| 10 | 260169 23 | Flat belt | 1 | | | | | | |

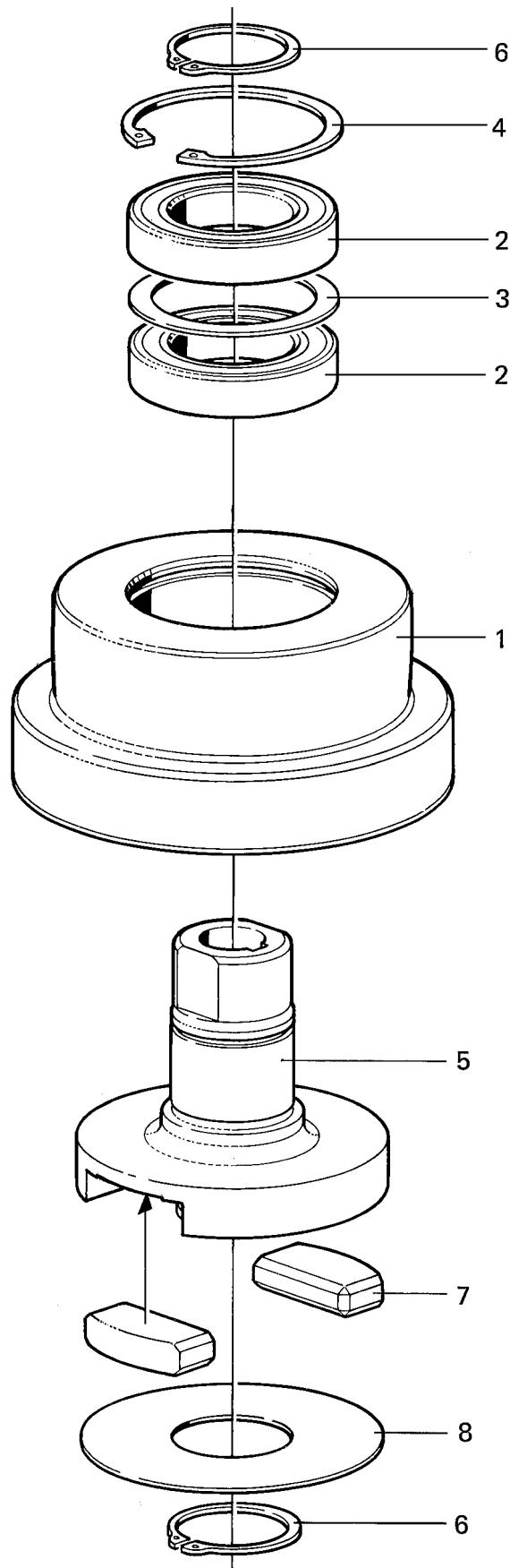
6 Parts for mounting of motor/ 60 Hz NEMA standard



6.1 Friction coupling, 60 Hz NEMA standard

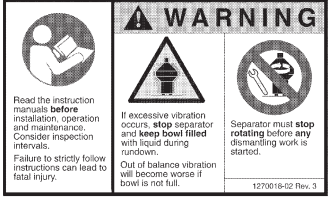
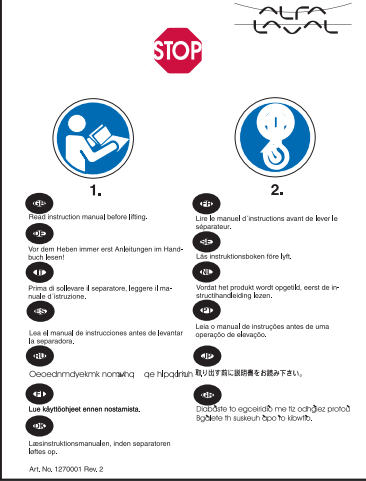

| Ref | Part No | Description | Machine unit number or Subassembly description | | | | | | | Notes | |
|-----|-----------|------------------|--|----------|--|--|--|--|--|-------|--|
| | | | 544575- | | | | | | | | |
| | | | -84 | Quantity | | | | | | | |
| 1 | 543858 02 | Belt pulley | 1 | | | | | | | | |
| 2 | 233211 66 | Ball bearing | 2 | | | | | | | | |
| 3 | 542986 04 | Washer | 1 | | | | | | | | |
| 4 | 223642 34 | Snap ring | 1 | | | | | | | | |
| 5 | 544058 04 | Coupling hub | 1 | | | | | | | | |
| 6 | 223641 17 | Snap ring | 2 | | | | | | | | |
| 7 | 544060 01 | Friction element | 2 | | | | | | | | |
| 8 | 543857 01 | Cover | 1 | | | | | | | | |

6.1 Friction coupling, 60 Hz NEMA standard6 Parts for mounting of motor/ 60 Hz NEMA



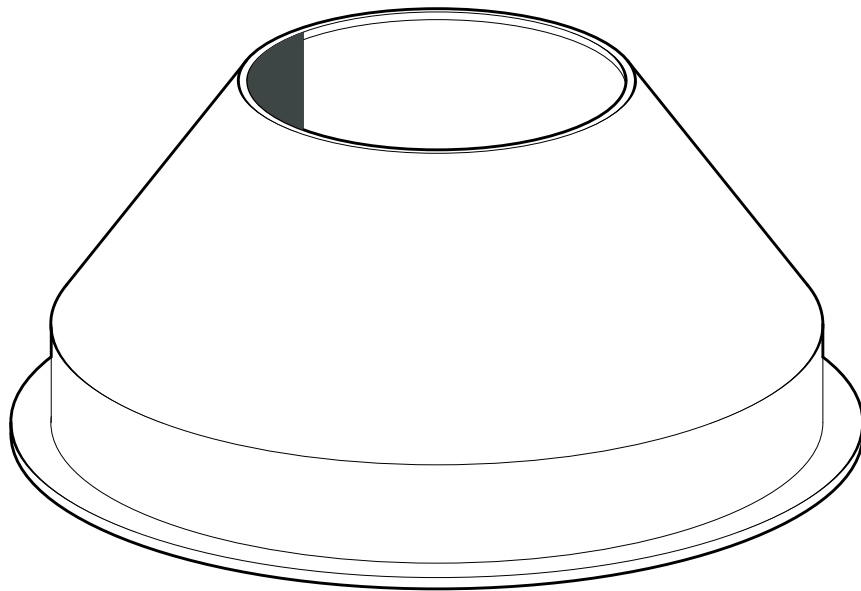
7 Set of plates

| Ref | Part No | Description | Machine unit number or Subassembly description | | | | | | | Notes |
|-----|------------|----------------------|--|----------|--|--|--|--|--|-------|
| | | | 549572- | | | | | | | |
| | | | -44 | Quantity | | | | | | |
| 3 | 1270320 | Set of safety labels | 1 | | | | | | | |
| 3A | 1270020 01 | Safety label sv | 1 | | | | | | | |
| 3B | 1270020 02 | Safety label en | 1 | | | | | | | |
| 3C | 1270020 03 | Safety label de | 1 | | | | | | | |
| 3D | 1270020 04 | Safety label fr | 1 | | | | | | | |
| 3E | 1270020 05 | Safety label es | 1 | | | | | | | |
| 3F | 1270020 06 | Safety label ru | 1 | | | | | | | |
| 3G | 1270020 07 | Safety label it | 1 | | | | | | | |
| 3H | 1270020 08 | Safety label pt | 1 | | | | | | | |
| 3I | 1270020 09 | Safety label pl | 1 | | | | | | | |
| 3J | 1270020 10 | Safety label el | 1 | | | | | | | |
| 3K | 1270020 11 | Safety label fi | 1 | | | | | | | |
| 3L | 1270020 12 | Safety label zh | 1 | | | | | | | |
| 3M | 1270020 13 | Safety label da | 1 | | | | | | | |
| 3N | 1270020 14 | Safety label ar | 1 | | | | | | | |
| 3O | 1270020 15 | Safety label nl | 1 | | | | | | | |
| 3P | 1270020 16 | Safety label cs | 1 | | | | | | | |
| 3Q | 1270020 17 | Safety label ja | 1 | | | | | | | |
| 3R | 1270020 18 | Safety label ko | 1 | | | | | | | |
| 3S | 1270020 19 | Safety label no | 1 | | | | | | | |
| 6 | 553171 01 | Label 50 Hz | 1 | | | | | | | |
| 6 | 553272 01 | Label 60 Hz | 1 | | | | | | | |
| 7 | 1270001 | Lifting instruction | 1 | | | | | | | |
| 8 | 554214 02 | Cable tie | 1 | | | | | | | |

| | | |
|--|--|---|
| 1 | 2 | <p>3,3A-S</p>  <p>Read the instruction manuals before installation, operation and maintenance. Consider inspection intervals. Failure to strictly follow instructions can lead to fatal injury.</p> <p>If excessive vibration occurs, stop separator and keep bowl filled with liquid during rundown.</p> <p>Separator must stop rotating before any demanding work is started.</p> <p>1270018-02 Rev. 3</p> |
| 4 | 5 | <p>6</p> <div style="border: 1px solid black; padding: 5px; display: inline-block;">50 Hz</div> <div style="border: 1px solid black; padding: 5px; display: inline-block; margin-left: 20px;">60 Hz</div> |
| <p>7</p>  <p>1. Read instruction manual before lifting.</p> <p>2. Lire le manuel d'instructions avant de lever le séparateur.</p> <p>1. Vor dem Heben immer erst Anleitungen im Handbuch lesen!</p> <p>2. Las instruksjonsboken före lyft.</p> <p>1. Prima di sollevare il separatore, leggere il manuale di istruzioni.</p> <p>2. Vorstel het produkt wordt opgetild, eerst de instructiehandleiding lezen.</p> <p>1. Lea el manual de instrucciones antes de levantar el separador.</p> <p>2. Lea o manual de instruções antes de uma operação de elevação.</p> <p>1. Oreadimdyekim nomamq qe Hloqahuh 取用手順に説明書をお読み下さい。</p> <p>2. Dobroste to spoznaob me iz ochjetez protob sozmesu in kusekuh špoc to kšavilo.</p> <p>1. Lue käyttöohjeet ennen nostamista.</p> <p>2. Dobroste to spoznaob me iz ochjetez protob sozmesu in kusekuh špoc to kšavilo.</p> <p>Lasinstruksjonsmanualen, inden separatoren løftes op.</p> <p>Art. No. 1270001 Rev. 2</p> | <p>8</p>  | |
| | | |
| | | |
| | | |

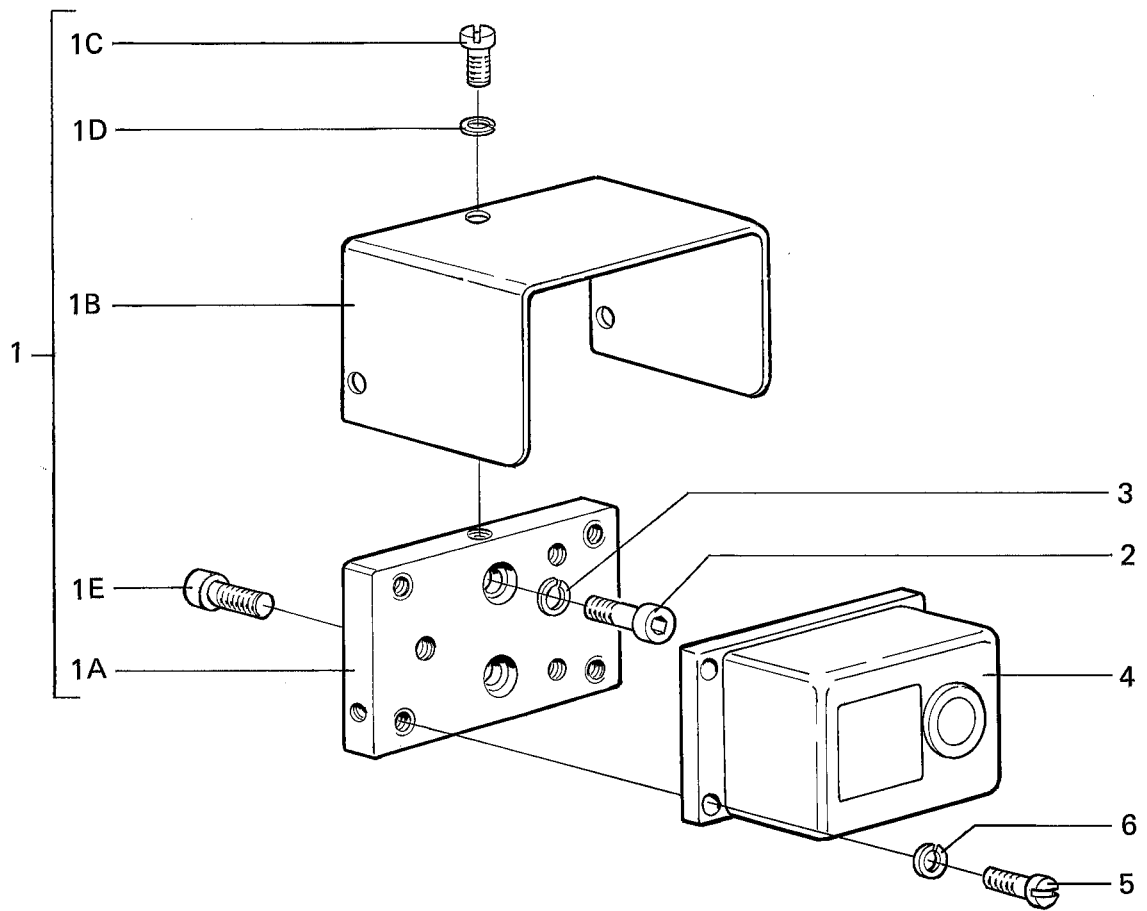
8 Gravity disc for clarification

| Ref | Part No | Description | Machine unit number or Subassembly description 560915- -02 | Notes |
|-----|-----------|--------------------------------|--|-------|
| | 560915 02 | Gravity disc for clarification | Quantity 1 | |



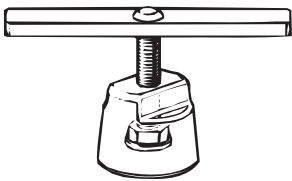

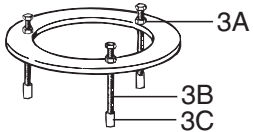
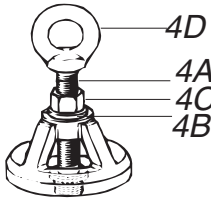

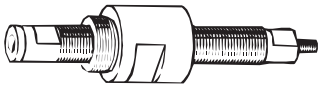

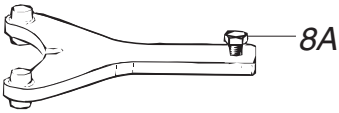


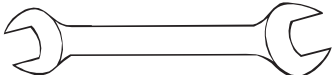
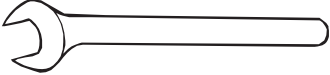
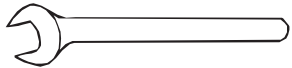
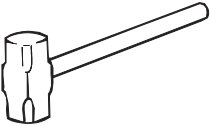
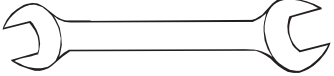

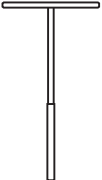
9 Vibration monitoring unit

| Ref | Part No | Description | Machine unit number or Subassembly description 536498- | | | | | | Notes |
|-----|-----------|------------------|--|----------|--|--|--|--|-------|
| | | | -82 | Quantity | | | | | |
| 1 | 536469 80 | Support | 1 | | | | | | |
| 1 A | 536470 01 | Plate | 1 | | | | | | |
| 1 B | 536471 01 | Cap | 1 | | | | | | |
| 1 C | 221135 11 | Screw | 3 | | | | | | |
| 1 D | 70915 | Spring washer | 3 | | | | | | |
| 1 E | 221716 01 | Screw | 3 | | | | | | |
| 2 | 221726 01 | Screw | 2 | | | | | | |
| 3 | 223107 35 | Spring washer | 2 | | | | | | |
| 4 | 530307 01 | Vibration switch | 1 | | | | | | |
| 5 | 221711 13 | Screw | 4 | | | | | | |
| 6 | 223107 34 | Spring washer | 4 | | | | | | |



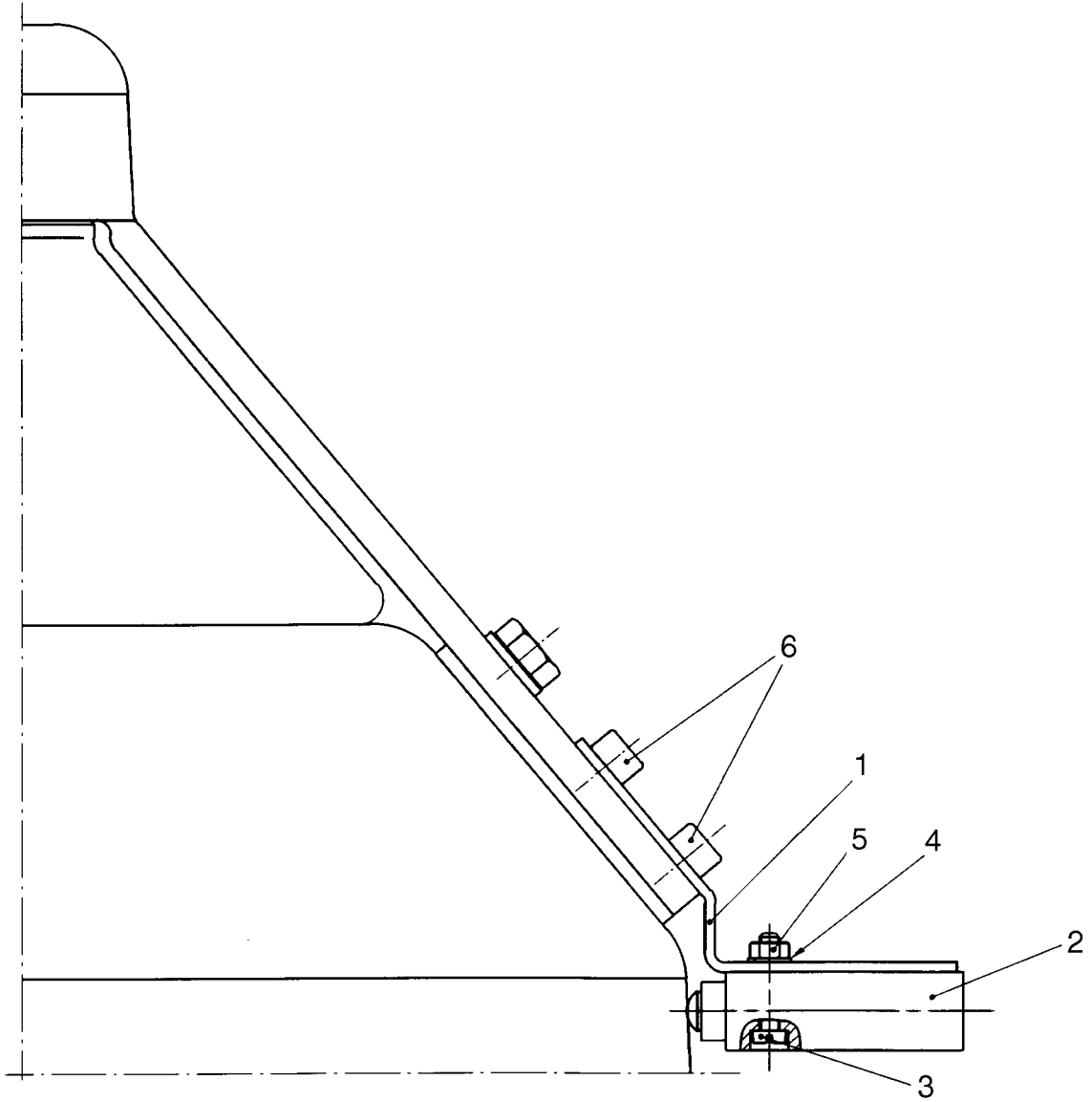
10 Set of tools

| Ref | Part No | Description | Machine unit number or Subassembly description | | | | | Notes |
|-----|-----------|-------------------------------|--|----------|--|--|--|------------------------------------|
| | | | 546166- | | | | | |
| | | | -08 | Quantity | | | | |
| 1 | 545840 80 | Puller and lifting tool | 1 | | | | | Bowl body |
| 2 | 545841 80 | Puller and lifting tool | 1 | | | | | Sliding bowl bottom |
| 3 | 546293 80 | Puller | 1 | | | | | Distributing ring upper |
| 3 A | 27345 | Nut | 3 | | | | | |
| 3 B | 221035 60 | Screw | 3 | | | | | |
| 3 C | 546222 01 | Hose | 3 | | | | | |
| 4 | 548806 81 | Compression tool | 1 | | | | | Disc stack |
| 5 | 221035 60 | Screw | 2 | | | | | Operating slide/ Distributing ring |
| 6 | 545844 80 | Mounting and dismounting tool | 1 | | | | | Friction coupling |
| 7 | 544555 01 | Mounting tool | 1 | | | | | Ball bearing |
| 8 | 545867 80 | Spanner for bowl hood | 1 | | | | | Bowl hood |
| 9 | 545837 02 | Spanner for lock ring | 1 | | | | | Lock ring |
| 10 | 527355 03 | Hexagon socket head key | 1 | | | | | Nozzle |
| 11 | 527380 07 | Spanners double | 1 | | | | | |
| 12 | 526378 19 | Open-ended spanner | 1 | | | | | |
| 13 | 527380 08 | Open-ended spanner | 1 | | | | | |
| 14 | 528927 01 | Tin hammer 3 kg | 1 | | | | | |
| 15 | 527380 06 | Open-ended spanner | 1 | | | | | |
| 16 | 561624 80 | Driving off tool | 1 | | | | | Ball bearing |
| 17 | 561628 80 | Cleaning cutter | 1 | | | | | Bowl spindle |

| | | |
|---|--|---|
| <p>1</p>  | <p>2</p>  | <p>3</p>  |
| <p>4</p>  | <p>5</p>  | <p>6</p>  |
| <p>7</p>  | <p>8</p>  | <p>9</p>  |
| <p>10</p>  | <p>11</p>  | <p>12</p>  |
| <p>13</p>  | <p>14</p>  | <p>15</p>  |
| <p>16</p>  | <p>17</p>  | |
| | | |

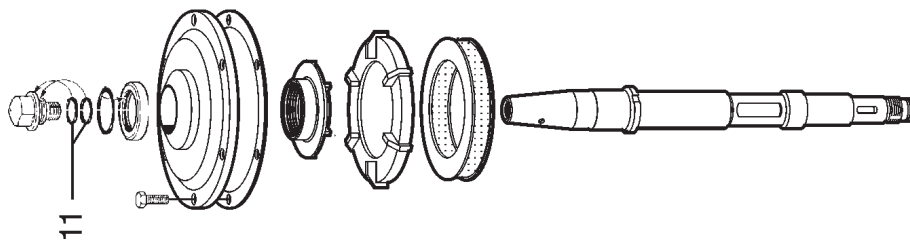
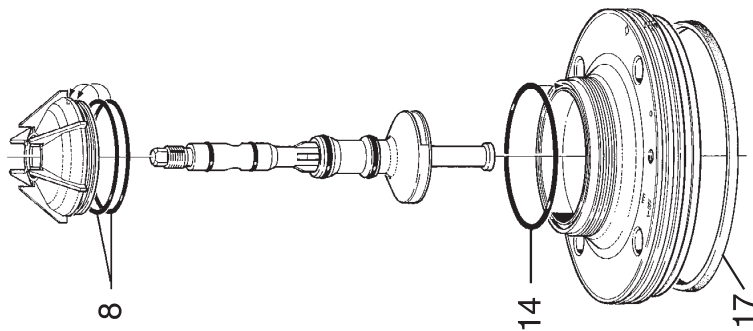
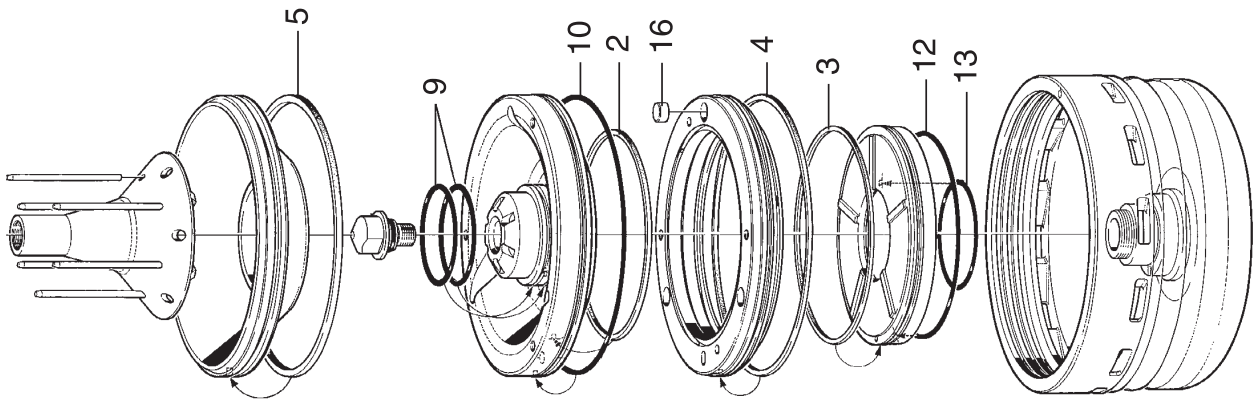
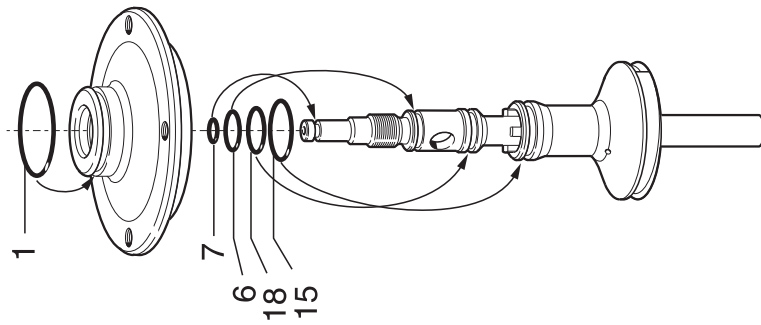
11 Interlocking switch

| Ref | Part No | Description | Machine unit number or Subassembly description | | | | | | | Notes |
|-----|-----------|---------------|--|----------|--|--|--|--|--|-------|
| | | | 559889- | | | | | | | |
| | | | -01 | Quantity | | | | | | |
| 1 | 559882 01 | Support plate | 1 | | | | | | | |
| 2 | 551337 01 | Limit switch | 1 | | | | | | | |
| 3 | 221121 15 | Screw | 2 | | | | | | | |
| 4 | 223101 41 | Washer | 2 | | | | | | | |
| 5 | 221803 20 | Nut | 2 | | | | | | | |
| 6 | 221711 17 | Screw | 2 | | | | | | | |



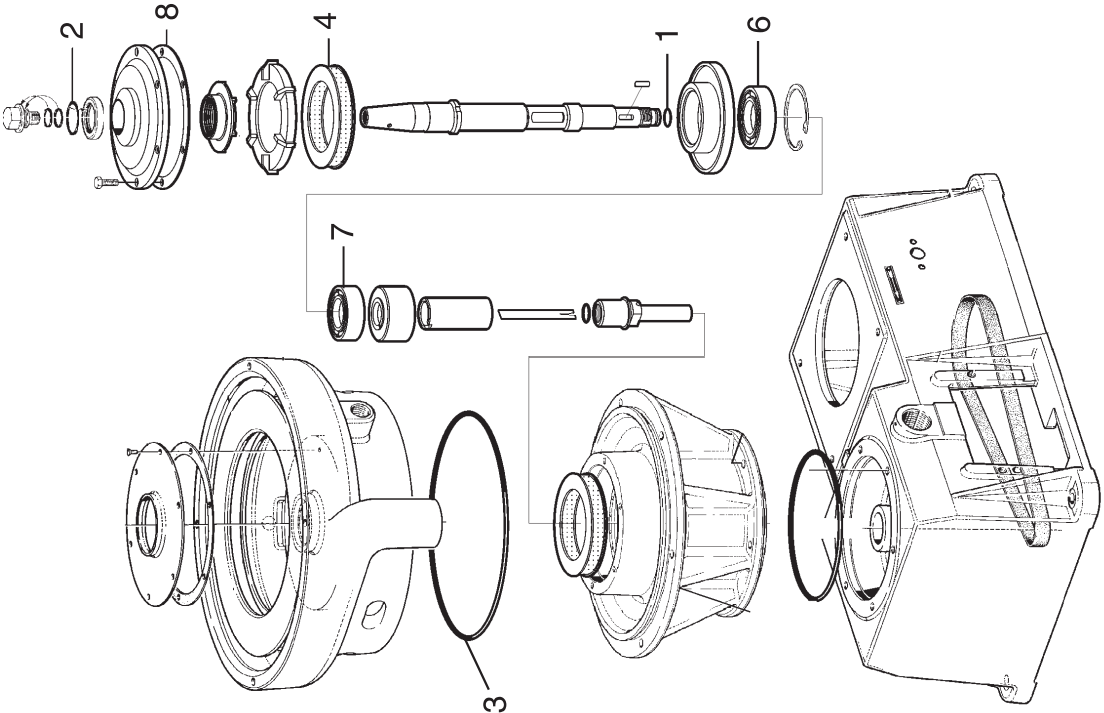
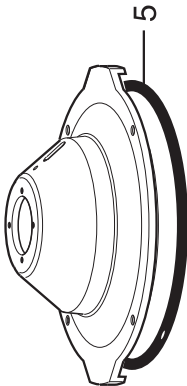
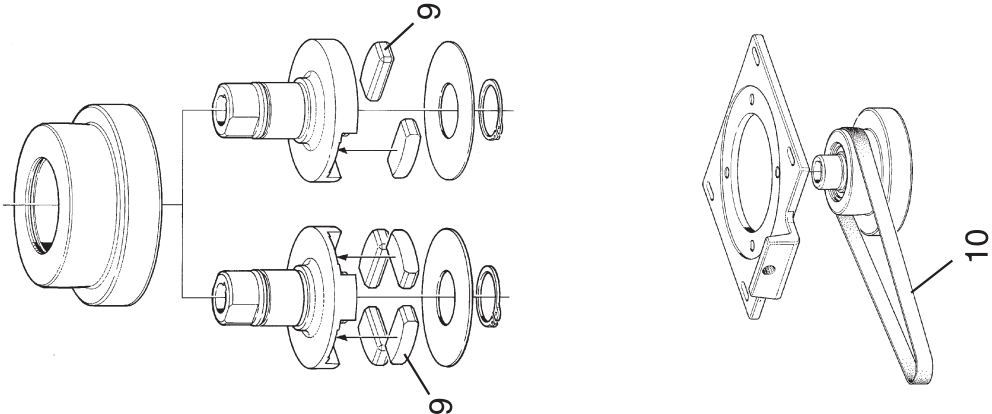
12 Intermediate service kit

| Ref | Part No | Description | Machine unit number or Subassembly description | | | | | | | Notes |
|-----|-----------|---------------------------|--|----------|--|--|--|--|--|--------------------------------|
| | | | 546669- | | | | | | | |
| | | | -09 | Quantity | | | | | | |
| 1 | 223406 29 | O-ring | 1 | | | | | | | Support/ Connecting housing |
| 2 | 545800 01 | Rectangular ring | 1 | | | | | | | Distributing ring upper |
| 3 | 545800 04 | Rectangular ring | 1 | | | | | | | Distributing ring lower |
| 4 | 545800 03 | Rectangular ring | 1 | | | | | | | Operating slide |
| 5 | 543446 02 | Rectangular ring | 1 | | | | | | | Sliding bowl bottom/ Bowl body |
| 6 | 223404 20 | O-ring | 1 | | | | | | | Inlet pipe/ Connecting housing |
| 7 | 223404 10 | O-ring | 1 | | | | | | | Inlet pipe/ Safety device |
| 8 | 223406 14 | O-ring | 2 | | | | | | | Leader cone/ Top disc |
| 9 | 260104 91 | O-ring | 2 | | | | | | | Distributing ring upper |
| 10 | 73632 | O-ring | 1 | | | | | | | Distributing ring upper |
| 11 | 223404 82 | O-ring | 2 | | | | | | | Cap nut |
| 12 | 68011 | O-ring | 1 | | | | | | | Distributing ring lower |
| 13 | 223406 35 | O-ring | 1 | | | | | | | Distributing ring lower |
| 14 | 223406 22 | O-ring | 1 | | | | | | | Bowl hood/ Paring disc chamber |
| 15 | 74067 | O-ring | 1 | | | | | | | Paring disc/ Support |
| 16 | 545871 01 | Valve plug | 3 | | | | | | | Operating slide |
| 17 | 541691 01 | Seal ring | 1 | | | | | | | Bowl hood |
| 18 | 223404 22 | O-ring | 1 | | | | | | | Inlet pipe/ Connecting housing |
| 19 | 537086 03 | Molybdenum disulfide past | 1 | | | | | | | |
| 20 | 539474 03 | Silicone grease | 1 | | | | | | | |
| 99 | 573399 | Exploded view | 1 | | | | | | | |



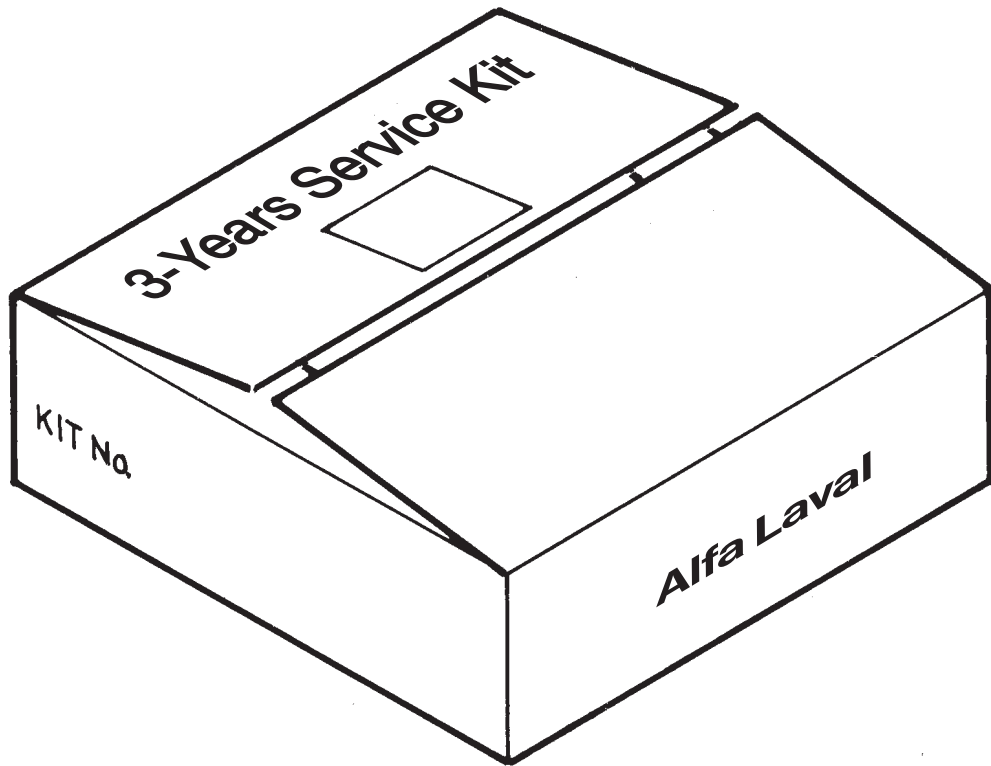
13 Major service kit

| Ref | Part No | Description | Machine unit number or Subassembly description 546670- | | | | | | | Notes |
|-----|-----------|------------------|--|---|----------|--|--|--|--|--|
| | | | -07 -08 | | Quantity | | | | | |
| | | 50 Hz | ↓ | | | | | | | |
| | | 60 Hz | | ↓ | | | | | | |
| 1 | 223403 16 | O-ring | 1 | 1 | | | | | | Pump sleeve/ Belt pulley |
| 2 | 223406 29 | O-ring | 1 | 1 | | | | | | Deflector ring/ Bowl spindle |
| 3 | 223412 49 | O-ring | 1 | 1 | | | | | | Frame intermediate part |
| 4 | 543619 80 | Rubber buffer | 2 | 2 | | | | | | Frame intermediate part/ Buffer holder |
| 5 | 223412 54 | O-ring | 1 | 1 | | | | | | Frame top part/ Frame hood |
| 6 | 548051 05 | Ball bearing | 1 | 1 | | | | | | Bowl spindle/ Ball bearing holder |
| 7 | 37535 | Ball bearing | 1 | 1 | | | | | | Frame intermediate part/ Bowl spindle |
| 8 | 543612 01 | Gasket | 1 | 1 | | | | | | Top bearing cover |
| 9 | 544060 01 | Friction element | 4 | 2 | | | | | | Friction coupling |
| 10 | 260169 22 | Flat belt | 1 | | | | | | | |
| 10 | 260169 23 | Flat belt | | 1 | | | | | | |
| 11 | 544465 02 | Locking liquid | 1 | 1 | | | | | | |
| 99 | 573400 | Exploded view | 1 | 1 | | | | | | |



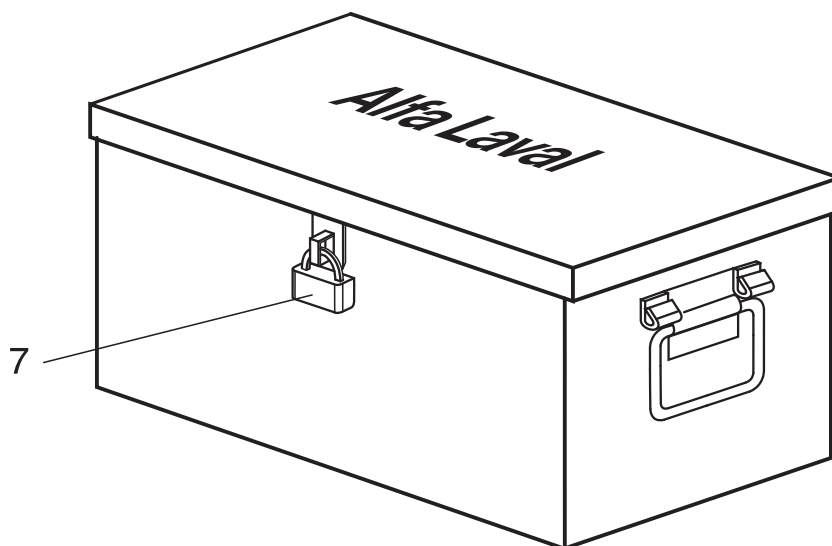
14 3-years service kit

| Ref | Part No | Description | Machine unit number or Subassembly description | | | | | Notes |
|-----|-----------|---------------------------|--|--|--|--|--|--|
| | | | 555613- -02 | | | | | |
| | | | Quantity | | | | | |
| 1 | 233211 66 | Ball bearing | 2 | | | | | Friction coupling |
| 2 | 545892 01 | Frame foot | 4 | | | | | Frame bottom part |
| 3 | 223107 35 | Spring washer | 4 | | | | | Frame foot |
| 4 | 73547 | Seal ring | 1 | | | | | Frame intermediate part |
| 5 | 223412 38 | O-ring | 1 | | | | | Frame intermediate part/ Frame bottom part |
| 6 | 70915 | Spring washer | 1 | | | | | Friction coupling |
| 7 | 543662 02 | Gasket | 1 | | | | | Screen/ Frame intermediate part |
| 8 | 260244 01 | Screw | 6 | | | | | Screen/ Frame intermediate part |
| 9 | 545818 01 | Round wire retaining ring | 1 | | | | | Oil filling device |
| 10 | 223406 27 | O-ring | 2 | | | | | Oil filling device |
| 11 | 542392 02 | Seal ring | 1 | | | | | Oil filling device |



15 Tool box

| Ref | Part No | Description | Machine unit number or Subassembly description 558533- -81 | Notes |
|-----|-----------|-------------|--|-------|
| 7 | 558533 10 | Padlock | Quantity 1 | |



16 Cross reference list

| Part No | Page | Ref. | Part No | Page | Ref. | Part No | Page | Ref. |
|-----------|------|------|-----------|------|------|-----------|------|------|
| 27345 | 38 | 3 A | 223403 16 | 44 | 1 | 527355 03 | 38 | 10 |
| 32652 | 16 | 2 | 223403 16 | 12 | 15 | 527380 06 | 38 | 15 |
| 37535 | 44 | 7 | 223404 10 | 42 | 7 | 527380 07 | 38 | 11 |
| 37535 | 12 | 12 | 223404 10 | 20 | 15 | 527380 08 | 38 | 13 |
| 41456 | 28 | 8 | 223404 20 | 42 | 6 | 528927 01 | 38 | 14 |
| 68011 | 18 | 3 | 223404 20 | 20 | 13 | 530307 01 | 36 | 4 |
| 68011 | 42 | 12 | 223404 22 | 20 | 14 | 536469 80 | 36 | 1 |
| 70560 | 20 | 18 | 223404 22 | 42 | 18 | 536470 01 | 36 | 1 A |
| 70915 | 36 | 1 D | 223404 82 | 42 | 11 | 536471 01 | 36 | 1 B |
| 70915 | 28 | 5 | 223404 82 | 12 | 36 | 537086 03 | 42 | 19 |
| 70915 | 22 | 6 | 223406 14 | 42 | 8 | 539474 03 | 42 | 20 |
| 70915 | 46 | 6 | 223406 14 | 18 | 25 | 541691 01 | 42 | 17 |
| 73547 | 46 | 4 | 223406 22 | 42 | 14 | 541691 01 | 18 | 21 |
| 73547 | 12 | 28 | 223406 22 | 18 | 23 | 542392 02 | 14 | 5 |
| 73632 | 42 | 10 | 223406 27 | 14 | 2 | 542392 02 | 46 | 11 |
| 73632 | 18 | 11 | 223406 27 | 14 | 3 | 542986 04 | 24 | 3 |
| 74067 | 20 | 2 | 223406 27 | 46 | 10 | 542986 04 | 30 | 3 |
| 74067 | 42 | 15 | 223406 29 | 42 | 1 | 543446 02 | 42 | 5 |
| 221035 02 | 12 | 25 | 223406 29 | 44 | 2 | 543446 02 | 18 | 13 |
| 221035 06 | 20 | 10 | 223406 29 | 20 | 11 | 543566 01 | 18 | 22 |
| 221035 06 | 20 | 19 | 223406 29 | 12 | 27 | 543567 01 | 18 | 14 |
| 221035 08 | 28 | 6 | 223406 35 | 18 | 2 | 543590 06 | 18 | 15 B |
| 221035 12 | 22 | 5 | 223406 35 | 42 | 13 | 543609 02 | 12 | 19 |
| 221035 60 | 38 | 3 B | 223412 38 | 12 | 5 | 543612 01 | 44 | 8 |
| 221035 60 | 38 | 5 | 223412 38 | 46 | 5 | 543612 01 | 12 | 23 |
| 221040 05 | 20 | 6 | 223412 49 | 44 | 3 | 543613 02 | 12 | 24 |
| 221040 05 | 12 | 8 | 223412 49 | 12 | 29 | 543619 80 | 44 | 4 |
| 221040 05 | 22 | 8 | 223412 54 | 20 | 3 | 543619 80 | 12 | 9 |
| 221040 05 | 28 | 9 | 223412 54 | 44 | 5 | 543645 01 | 12 | 34 |
| 221040 05 | 12 | 32 | 223610 07 | 12 | 14 | 543662 02 | 46 | 7 |
| 221040 05 | 12 | 43 | 223641 17 | 24 | 6 | 543662 02 | 12 | 33 |
| 221040 41 | 12 | 39 | 223641 17 | 30 | 6 | 543669 01 | 22 | 4 |
| 221040 52 | 22 | 11 | 223642 34 | 24 | 4 | 543669 01 | 28 | 4 |
| 221045 29 | 12 | 4 | 223642 34 | 30 | 4 | 543857 01 | 24 | 8 |
| 221121 15 | 40 | 3 | 223642 36 | 12 | 20 | 543857 01 | 30 | 8 |
| 221135 11 | 36 | 1 C | 226314 11 | 26 | 2 | 543858 02 | 24 | 1 |
| 221711 13 | 36 | 5 | 233211 66 | 46 | 1 | 543858 02 | 30 | 1 |
| 221711 17 | 40 | 6 | 233211 66 | 24 | 2 | 543858 04 | 24 | 1 |
| 221716 01 | 36 | 1 E | 233211 66 | 30 | 2 | 543953 05 | 12 | 45 |
| 221726 01 | 36 | 2 | 260104 91 | 18 | 9 | 544024 01 | 14 | 4 |
| 221803 20 | 40 | 5 | 260104 91 | 42 | 9 | 544058 02 | 24 | 5 |
| 222111 95 | 18 | 12 A | 260169 22 | 22 | 10 | 544058 04 | 30 | 5 |
| 222119 51 | 26 | 5 | 260169 22 | 44 | 10 | 544060 01 | 24 | 7 |
| 222137 10 | 16 | 5 | 260169 23 | 22 | 10 | 544060 01 | 30 | 7 |
| 222210 21 | 16 | 6 | 260169 23 | 28 | 10 | 544060 01 | 44 | 9 |
| 223101 41 | 40 | 4 | 260169 23 | 44 | 10 | 544203 02 | 12 | 22 |
| 223107 34 | 36 | 6 | 260244 01 | 46 | 8 | 544337 02 | 12 | 26 |
| 223107 35 | 12 | 3 | 260244 01 | 12 | 35 | 544465 02 | 44 | 11 |
| 223107 35 | 36 | 3 | 526337 06 | 12 | 44 | 544555 01 | 38 | 7 |
| 223107 35 | 46 | 3 | 526378 19 | 38 | 12 | 544575 80 | 22 | 3 |

| Part No | Page | Ref. |
|-----------|------|------|
| 544575 81 | 22 | 3 |
| 544575 84 | 28 | 3 |
| 544925 01 | 18 | 20 |
| 545597 01 | 12 | 17 |
| 545601 80 | 12 | 13 |
| 545620 02 | 12 | 21 |
| 545654 02 | 18 | 8 |
| 545655 02 | 18 | 5 |
| 545657 80 | 18 | 15 |
| 545684 01 | 18 | 15 A |
| 545782 02 | 22 | 1 |
| 545797 02 | 18 | 24 |
| 545800 01 | 42 | 2 |
| 545800 01 | 18 | 4 |
| 545800 04 | 42 | 3 |
| 545800 04 | 18 | 10 |
| 545800 03 | 42 | 4 |
| 545800 03 | 18 | 6 |
| 545817 01 | 14 | 1 |
| 545818 01 | 14 | 6 |
| 545818 01 | 46 | 9 |
| 545819 01 | 14 | 7 |
| 545831 80 | 12 | 40 |
| 545832 01 | 14 | 8 |
| 545837 02 | 38 | 9 |
| 545840 80 | 38 | 1 |
| 545841 80 | 38 | 2 |
| 545844 80 | 38 | 6 |
| 545848 01 | 26 | 1 |
| 545848 02 | 26 | 1 |
| 545853 01 | 26 | 3 |
| 545853 02 | 26 | 3 |
| 545856 80 | 22 | 7 |
| 545856 81 | 28 | 7 |
| 545867 80 | 38 | 8 |
| 545869 01 | 18 | 1 A |
| 545871 01 | 18 | 7 |
| 545871 01 | 42 | 16 |
| 545892 01 | 12 | 2 |
| 545892 01 | 46 | 2 |
| 546057 02 | 12 | 37 |
| 546157 80 | 20 | 7 |
| 546222 01 | 38 | 3 C |
| 546293 80 | 38 | 3 |
| 546562 01 | 26 | 4 |
| 546915 02 | 24 | 5 |
| 547251 02 | 28 | 1 |
| 547260 01 | 28 | 2 |
| 548010 03 | 12 | 1 |
| 548012 02 | 12 | 6 |

| Part No | Page | Ref. |
|-----------|------|------|
| 548046 80 | 12 | 41 |
| 548047 80 | 16 | 1 |
| 548049 02 | 16 | 3 |
| 548051 05 | 44 | 6 |
| 548051 05 | 12 | 11 |
| 548152 03 | 20 | 5 |
| 548152 03 | 12 | 7 |
| 548152 03 | 22 | 9 |
| 548152 03 | 22 | 12 |
| 548152 03 | 12 | 31 |
| 548152 03 | 12 | 42 |
| 548152 04 | 20 | 22 |
| 548806 81 | 38 | 4 |
| 551337 01 | 40 | 2 |
| 552766 08 | 20 | 20 |
| 553159 02 | 16 | 4 |
| 553171 01 | 32 | 6 |
| 553272 01 | 32 | 6 |
| 554214 02 | 32 | 8 |
| 558533 10 | 48 | 7 |
| 559266 01 | 20 | 16 |
| 559882 01 | 40 | 1 |
| 560757 01 | 12 | 10 |
| 560763 01 | 12 | 16 |
| 560767 80 | 12 | 18 |
| 560915 02 | 34 | |
| 560916 01 | 18 | 26 |
| 560916 02 | 18 | 27 |
| 560916 03 | 18 | 28 |
| 560916 04 | 18 | 29 |
| 560916 05 | 18 | 30 |
| 560916 06 | 18 | 31 |
| 560916 07 | 18 | 32 |
| 560985 80 | 12 | 38 |
| 561000 02 | 18 | 33 |
| 561013 02 | 20 | 9 |
| 561072 80 | 18 | 1 |
| 561104 80 | 18 | 12 |
| 561104 82 | 18 | 12 |
| 561271 80 | 20 | 17 |
| 561272 80 | 20 | 1 |
| 561297 02 | 20 | 12 |
| 561307 01 | 20 | 8 |
| 561315 02 | 20 | 4 |
| 561624 80 | 38 | 16 |
| 561628 80 | 38 | 17 |
| 562596 01 | 20 | 21 |
| 565393 01 | 12 | 46 |
| 566279 01 | 12 | 30 |
| 573399 | 42 | 99 |

| Part No | Page | Ref. |
|------------|------|------|
| 573400 | 44 | 99 |
| 575192 80 | 18 | 16 |
| 575192 80 | 18 | 18 |
| 575192 80 | 18 | 19 |
| 575364 80 | 18 | 17 |
| 1270001 | 32 | 7 |
| 1270020 01 | 32 | 3 A |
| 1270020 02 | 32 | 3 B |
| 1270020 03 | 32 | 3 C |
| 1270020 04 | 32 | 3 D |
| 1270020 05 | 32 | 3 E |
| 1270020 06 | 32 | 3 F |
| 1270020 07 | 32 | 3 G |
| 1270020 08 | 32 | 3 H |
| 1270020 09 | 32 | 3 I |
| 1270020 10 | 32 | 3 J |
| 1270020 11 | 32 | 3 K |
| 1270020 12 | 32 | 3 L |
| 1270020 13 | 32 | 3 M |
| 1270020 14 | 32 | 3 N |
| 1270020 15 | 32 | 3 O |
| 1270020 16 | 32 | 3 P |
| 1270020 17 | 32 | 3 Q |
| 1270020 18 | 32 | 3 R |
| 1270020 19 | 32 | 3 S |
| 1270320 | 32 | 3 |